



# Combi range

Professional lighting equipment  
for general purpose stages

  
**SPOTLIGHT**  
professional lighting for the performing arts



## General features

### Combi range



Ventilation slots on the rear housing for efficient cooling even in vertical position

The **Combi** range takes its name from the results of research into the best combination of professional quality and competitive price.

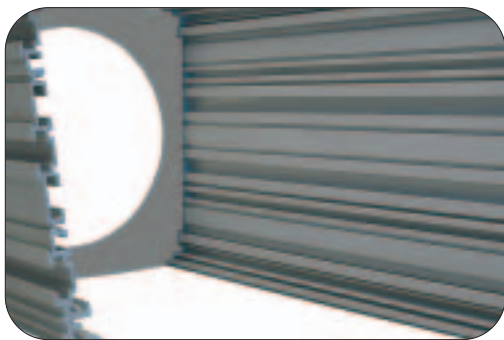
These Fresnel and PC spots, made of steel and aluminium, give optimal lighting performance and are practical to use, combining durability and easy maintenance.



Light Centre Length adjustment for different types of lamps with no need for special tools



Reversible yoke mounted onto extruded sliding rails, adjustable height for correct balancing of the accessories and for use in any position



Extruded aluminium and steel housing for thermal dissipation and high shock resistance



Filter holder locking system



Lens mounted onto extended retaining holders to allow inner ventilation

## Technical features

Products designed for professional use that guarantee:

### **Durability:**

Die-cast extruded aluminium housing, shockproof with anti-scratch paint

### **Long-Lasting Performance:**

Rugged construction, high capacity electrical components with high-temperature insulation and heat resistant glass lenses

### **Cooling:**

By dissipation through an extended finned extruded aluminium surface and by convection through numerous slots even on the back of the luminaire to enhance ventilation when the unit is positioned at a steep angle

### **Safety:**

All luminaires are CE labelled in accordance with the EN 60598-2-17 standards for professional lighting fixtures for public venues and theatres



# Plano Convex (PC) and Fresnel

## 300/500/650W Halogen

### Combi 05 PC - Combi 05 Fresnel



COMBI 05 PC

A plano-convex luminaire with a defined beam, variable from 5° to 56°  
Barndoors optional

Lux	27808	6952	3090	1738	1112
∅ (m)	0.17	0.35	0.52	0.70	0.87

SPOT 5°

Dist. (m)	2	4	6	8	10
-----------	---	---	---	---	----

Lux	1502	376	167	94	60
∅ (m)	2.13	4.25	6.38	8.51	10.63

FLOOD 56°

Dist. (m)	2	4	6	8	10
-----------	---	---	---	---	----

TESTED WITH LAMP CP89 650W 230V



COMBI 05 F

A Fresnel luminaire with a soft-edged beam, variable from 7° to 62°  
Barndoors optional

Lux	19280	4820	2142	1205	771
∅ (m)	0.24	0.49	0.73	0.98	1.22

SPOT 7°

Dist. (m)	2	4	6	8	10
-----------	---	---	---	---	----

Lux	1853	463	206	116	74
∅ (m)	2.40	4.81	7.21	9.61	12.02

FLOOD 62°

Dist. (m)	2	4	6	8	10
-----------	---	---	---	---	----

TESTED WITH LAMP CP89 650W 230V

## Technical features

### Electrical

- Standard 230V, 50/60Hz power supply (others available on request)
- Lamp-holder type GY 9.5
- 2m power supply cable (plug available on request)
- Strain relief cable clamp entry into light housing

### Safety

- Safety mesh
- Filter-frame locking system
- Compliance to CE EN 60598-2-17 standards

### Optical

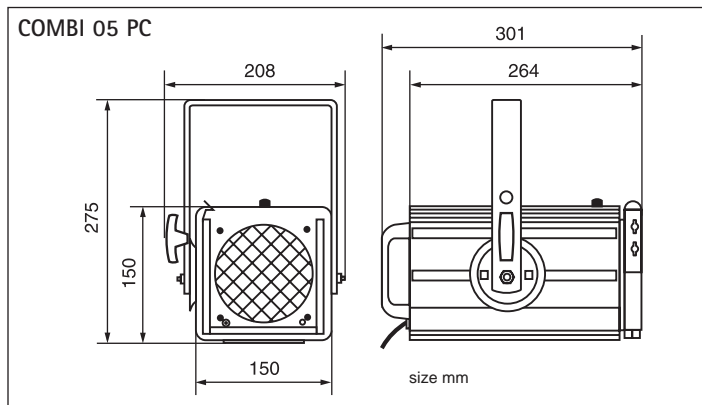
- Spherical reflector in 99.99% polished and treated aluminium: 70mm diameter
- 110mm diameter borosilicate lens mounted onto extended holders to allow ventilation

### Mechanical

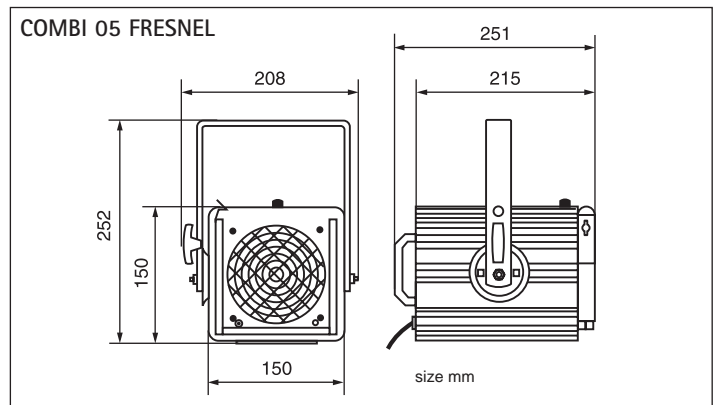
- Extruded aluminium and steel housing
- Black Epoxy Resin paint
- Labyrinth ventilation to avoid light spillage

### Operational

- Access for lamp maintenance via removable top cover
- Yoke with 10mm diameter hole, adjustable height, reversible and sliding into extruded rails to balance accessories and for use in any position
- Heat insulated knobs and handles
- Focus adjustment by an endless screw mechanism operated by rear knob



Net weight Kg 3.7 – Gross weight Kg 4.0 – Box volume m<sup>3</sup> 0.017



Net weight Kg 3.0 – Gross weight Kg 3.4 – Box volume m<sup>3</sup> 0.017

### Information for ordering accessories and different versions

### Code

• Combi 05 PC with safety net	COM 05 PC
• Combi 05 Fresnel with safety net	COM 05 F
<b>Accessories</b>	
• Colour filter frame	TC S05
• 4-door rotatable barndoors	PL 4 S05
• Safety bond	FUNE
• Theatre C-hook in black painted steel for 30 to 50mm diameter tubes	GAC
• TV C-hook in die-cast aluminium (PIVOT DIN adaptor required)	A8
• 29mm / M10 spigot adapter	PIVOT DIN
• Aluminium clamp for 50mm diameter tubes	HC / 500
• Superclamp	CLAMP
• Colour changing scroller, DMX 512 or 0/10V controlled	on request
<b>Options</b>	
• Clear lens for Combi 05 PC	on request
• 100-120V lamp version	on request

### Lamps

### Long life (2950 °K)

### Theatre (3050 °K)

### Film/TV (3200 °K)

Type / Order code	M 38	M 40	T 18	T26	CP 81	CP 82	CP 89
<b>Power (W)</b>	<b>300</b>	<b>500</b>	<b>500</b>	<b>650</b>	<b>300</b>	<b>500</b>	<b>650</b>
Lamp-holder	GY 9.5	GY 9.5	GY 9.5	GY 9.5	GY 9.5	GY 9.5	GY 9.5
Light-centre/base lamp distance (mm)	46.5	46.5	46.5	46.5	46.5	46.5	46.5
Luminous flux (Lumen)	5200	10000	11000	14500	7800	13500	17500
Life time (hours)	2000	2000	360	600	180	180	180
Colour temperature (°K)	2950	2950	3050	3050	3200	3200	3200
Supply voltage (V)	230	230	230	230	230	230	230
Nominal current (Amp.)	1.3	2.17	2.17	2.8	1.3	2.17	2.8



Spotlight reserve the right to change specification without prior notice

**SPOTLIGHT SRL**

VIA SARDEGNA, 3  
20098 S. GIULIANO MILANESE - ITALY  
PHONE +39.02.98.83.055  
FAX +39.02.98.83.056  
E-MAIL: SALES@SPOTLIGHT.IT  
WEB: WWW.SPOTLIGHT.IT

*Your Dealer*



**SPOTLIGHT**    
professional lighting for the performing arts  
certified quality management system ISO 9001:2000