



Combi range

Professional lighting equipment
for general purpose stages


SPOTLIGHT
professional lighting for the performing arts

General features

Combi range



Ventilation slots on the rear housing for efficient cooling even in vertical position

The **Combi** range takes its name from the results of research into the best combination of professional quality and competitive price.

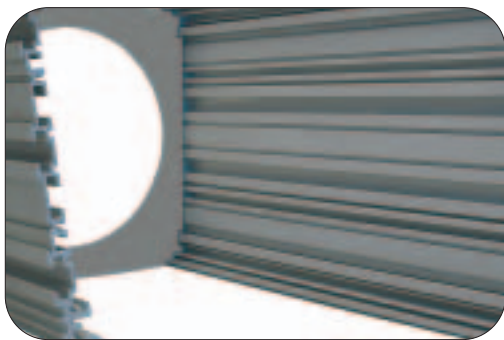
These Fresnel and PC spots, made of steel and aluminium, give optimal lighting performance and are practical to use, combining durability and easy maintenance.



Light Centre Length adjustment for different types of lamps with no need for special tools



Reversible yoke mounted onto extruded sliding rails, adjustable height for correct balancing of the accessories and for use in any position



Extruded aluminium and steel housing for thermal dissipation and high shock resistance



Filter holder locking system



Lens mounted onto extended retaining holders to allow inner ventilation

Technical features

Products designed for professional use that guarantee:

Durability:

Die-cast extruded aluminium housing, shockproof with anti-scratch paint

Long-Lasting Performance:

Rugged construction, high capacity electrical components with high-temperature insulation and heat resistant glass lenses

Cooling:

By dissipation through an extended finned extruded aluminium surface and by convection through numerous slots even on the back of the luminaire to enhance ventilation when the unit is positioned at a steep angle

Safety:

All luminaires are CE labelled in accordance with the EN 60598-2-17 standards for professional lighting fixtures for public venues and theatres



Plano Convex (PC) and Fresnel

1000/1200W Halogen

Combi 12 PC - Combi 12 Fresnel



COMBI 12 PC

A plano-convex luminaire with a defined beam, variable from 4° to 63°
Barndoors optional

Lux	17725	4431	1969	1108	709
Ø (m)	0.28	0.56	0.84	1.12	1.40

SPOT 4°

Dist. (m)	4	8	12	16	20
-----------	---	---	----	----	----

Lux	655	164	73	41	26
Ø (m)	4.90	9.80	14.71	19.61	24.51

FLOOD 63°

Dist. (m)	4	8	12	16	20
-----------	---	---	----	----	----

TESTED WITH LAMP CP90 1200W 230V



COMBI 12 F

A Fresnel luminaire with a soft-edged beam, variable from 7° to 53°
Barndoors optional

Lux	10269	2567	1141	642	411
Ø (m)	0.49	0.98	1.47	1.96	2.45

SPOT 7°

Dist. (m)	4	8	12	16	20
-----------	---	---	----	----	----

Lux	885	221	98	55	35
Ø (m)	4.0	8.1	12.1	16.1	20.2

FLOOD 53°

Dist. (m)	4	8	12	16	20
-----------	---	---	----	----	----

TESTED WITH LAMP CP90 1200W 230V

Technical features

Electrical

- Standard 230V, 50/60Hz power supply (others available on request)
- Lamp-holder type GX 9.5
- 2m power supply cable (plug available on request)
- Strain relief cable clamp entry into light housing

Safety

- Safety mesh
- Filter-frame locking system
- Compliance to CE EN 60598-2-17 standards

Optical

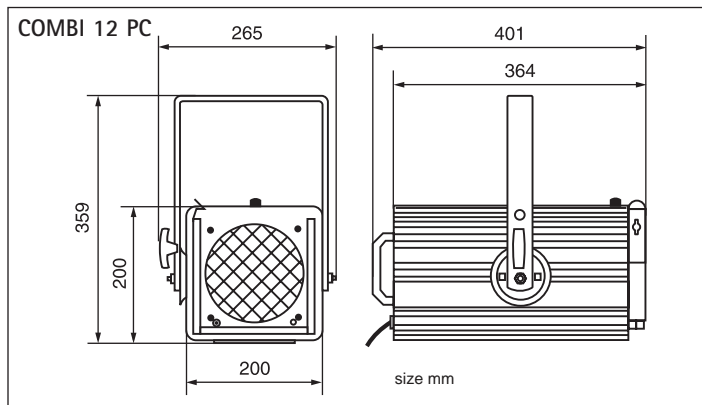
- Spherical reflector in 99.99% polished and treated aluminium: 100mm diameter
- 150mm diameter borosilicate lens mounted onto extended holders to allow ventilation

Mechanical

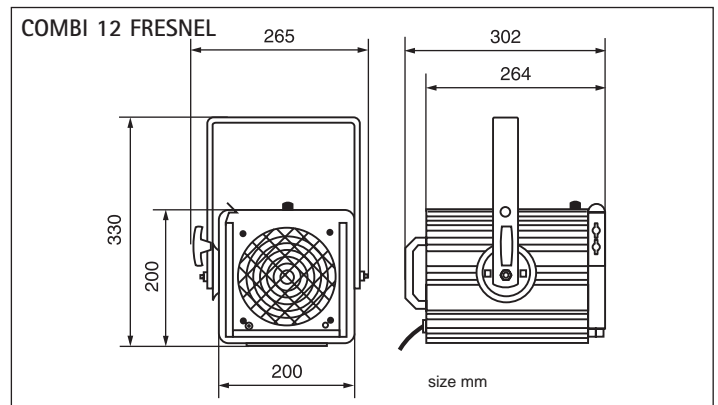
- Extruded aluminium and steel housing
- Black Epoxy Resin paint
- Labyrinth ventilation to avoid light spillage

Operational

- Access for lamp maintenance via removable top cover
- Yoke with 10mm diameter hole, adjustable height, reversible and sliding into extruded rails to balance accessories and for use in any position
- Heat insulated knobs and handles
- Focus adjustment by an endless screw mechanism operated by rear knob



Net weight Kg 6.8 – Gross weight Kg 8.1 – Box volume m³ 0.040



Net weight Kg 5.4 – Gross weight Kg 6.6 – Box volume m³ 0.034

Information for ordering accessories and different versions

Code

• Combi 12 PC with safety net	COM 12 PC
• Combi 12 Fresnel with safety net	COM 12 F
Accessories	
• Colour filter frame	TC S12
• 4-door rotatable barndoors	PL 4 S12
• Safety bond	FUNE
• Theatre C-hook in black painted steel for 30 to 50mm diameter tubes	GAC
• TV C-hook in die-cast aluminium (PIVOT DIN adaptor required)	A8
• 29mm / M10 spigot adapter	PIVOT DIN
• Aluminium clamp for 50mm diameter tubes	HC / 500
• Superclamp	CLAMP
• Colour changing scroller, DMX 512 or 0/10V controlled	on request
Options	
• Clear lens for Combi 12 PC	on request
• 100-120V lamp version	on request

Lamps

Theatre (3050 °K)

Film/TV (3200 °K)

Type / Order code	T21	T19	T29	CP67	CP70	CP90
Power (W)	650	1000	1200	650	1000	1200
Lamp holder	GX9.5	GX9.5	GX9.5	GX9.5	GX9.5	GX9.5
Light-centre/base lamp distance (mm)	55	55	67	55	55	67
Luminous flux (Lumen)	13000	21500	27600	16500	25000	30000
Life time (hours)	900	750	480	400	200	240
Colour temperature (°K)	3050	3050	3050	3200	3200	3200
Supply voltage (V)	230	230	230	230	230	230
Nominal current (Amp.)	2.8	4.3	5.2	2.8	4.3	5.2

Spotlight reserve the right to change specification without prior notice

SPOTLIGHT SRL

VIA SARDEGNA, 3
20098 S. GIULIANO MILANESE - ITALY
PHONE +39.02.98.83.055
FAX +39.02.98.83.056
E-MAIL: SALES@SPOTLIGHT.IT
WEB: WWW.SPOTLIGHT.IT

Your Dealer



SPOTLIGHT  
professional lighting for the performing arts
certified quality management system ISO 9001:2000