



Combi range

Professional lighting equipment
for general purpose stages


SPOTLIGHT
professional lighting for the performing arts

General features

Combi range



Ventilation slots on the rear housing for efficient cooling even in vertical position

The **Combi** range takes its name from the results of research into the best combination of professional quality and competitive price.

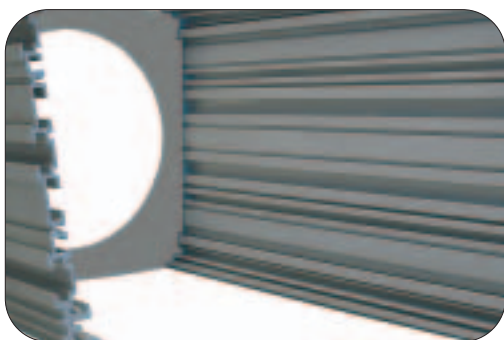
These Fresnel and PC spots, made of steel and aluminium, give optimal lighting performance and are practical to use, combining durability and easy maintenance.



Light Centre Length adjustment for different types of lamps with no need for special tools



Reversible yoke mounted onto extruded sliding rails, adjustable height for correct balancing of the accessories and for use in any position



Extruded aluminium and steel housing for thermal dissipation and high shock resistance



Filter holder locking system



Lens mounted onto extended retaining holders to allow inner ventilation

Technical features

Products designed for professional use that guarantee:

Durability:

Die-cast extruded aluminium housing, shockproof with anti-scratch paint

Long-Lasting Performance:

Rugged construction, high capacity electrical components with high-temperature insulation and heat resistant glass lenses

Cooling:

By dissipation through an extended finned extruded aluminium surface and by convection through numerous slots even on the back of the luminaire to enhance ventilation when the unit is positioned at a steep angle

Safety:

All luminaires are CE labelled in accordance with the EN 60598-2-17 standards for professional lighting fixtures for public venues and theatres



Plano Convex (PC) and Fresnel

2000/2500W Halogen

Combi 25 PC - Combi 25 Fresnel



COMBI 25 PC

A plano-convex luminaire with a defined beam, variable from 4° to 66°
Barndoors optional

Lux	23903	5976	2656	1494	956
Ø (m)	0.35	0.70	1.05	1.40	1.75

SPOT 4°

Dist. (m)	5	10	15	20	25
-----------	---	----	----	----	----

Lux	880	220	98	55	35
Ø (m)	6.49	12.99	19.48	25.98	32.47

FLOOD 66°

Dist. (m)	5	10	15	20	25
-----------	---	----	----	----	----

TESTED WITH LAMP CP91 2500W 230V



COMBI 25 F

A Fresnel luminaire with a soft-edged beam, variable from 7° to 65°
Barndoors optional

Lux	13124	3281	1458	820	525
Ø (m)	0.61	1.22	1.83	2.45	3.06

SPOT 7°

Dist. (m)	5	10	15	20	25
-----------	---	----	----	----	----

Lux	1234	309	137	77	49
Ø (m)	6.37	12.74	19.11	25.48	31.85

FLOOD 65°

Dist. (m)	5	10	15	20	25
-----------	---	----	----	----	----

TESTED WITH LAMP CP91 2500W 230V

Technical features

Electrical

- Standard 230V, 50/60Hz power supply (others available on request)
- Lamp-holder type G 22 (GY 16 optional)
- 2m power supply cable (plug available on request)
- Strain relief cable clamp entry into light housing

Safety

- Safety mesh
- Filter-frame locking system
- Compliance to CE EN 60598-2-17 standards

Optical

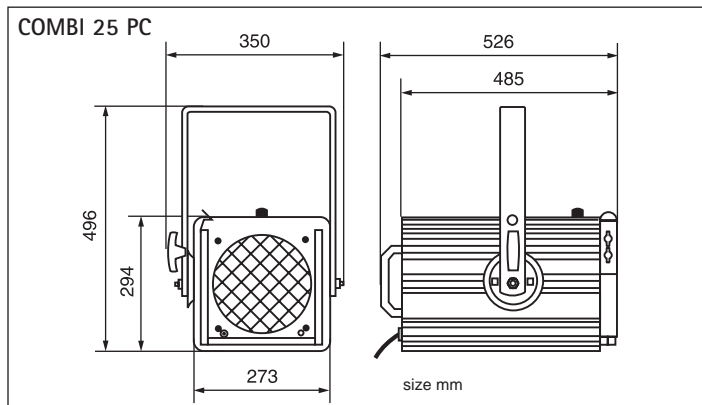
- Spherical reflector in 99.99% polished and treated aluminium: 150mm diameter
- 200mm diameter borosilicate lens mounted onto extended holders to allow ventilation

Mechanical

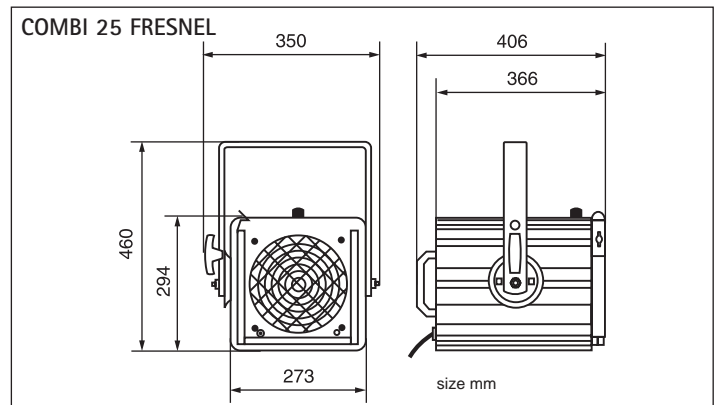
- Extruded aluminium and steel housing
- Black Epoxy Resin paint
- Labyrinth ventilation to avoid light spillage

Operational

- Access for lamp maintenance via removable top cover
- Yoke with 10mm diameter hole, adjustable height, reversible and sliding into extruded rails to balance accessories and for use in any position
- Heat insulated knobs and handles
- Lamp-holder mounted onto an easily adjustable plate for 1000, 2000 and 2500W lamps
- Focus adjustment by an endless screw mechanism operated by rear knob



Net weight Kg 13.7 – Gross weight Kg 15.7 – Box volume m³ 0.086



Net weight Kg 10.8 – Gross weight Kg 12.7 – Box volume m³ 0.071

Information for ordering accessories and different versions

Code

• Combi 25 PC with safety net	COM 25 PC
• Combi 25 Fresnel with safety net	COM 25 F
Accessories	
• Colour filter frame	TC S25
• 4-door rotatable barndoors	PL 4 S25
• Safety bond	FUNE
• Theatre C-hook in black painted steel for 30 to 50mm diameter tubes	GAC
• TV C-hook in die-cast aluminium (PIVOT DIN adaptor required)	A8
• 29mm / M10 spigot adapter	PIVOT DIN
• Aluminium clamp for 50mm diameter tubes	HC / 500
• Superclamp	CLAMP
• Colour changing scroller, DMX 512 or 0/10V controlled	on request
Options	
• Clear lens for Combi 25 PC	on request
• 100-120V lamp version	on request
• GY 16 lampholder version	on request

Lamps

FilmTV/Theatre (3200 °K)

Type / Order code	CP75	CP92	CP91	CP72 on request
Power (W)	2000	2000	2500	2000
Lampholder	G22	G22	G22	GY16
Light-centre/base lamp distance (mm)	75	90	90	70
Luminous flux (Lumen)	52000	52000	65000	50000
Life time (hours)	480	400	450	480
Colour temperature (°K)	3200	3200	3200	3200
Supply voltage (V)	230	230	230	230
Nominal current (Amp.)	8.6	8.6	10.8	8.6

Spotlight reserve the right to change specification without prior notice

SPOTLIGHT SRL

VIA SARDEGNA, 3
20098 S. GIULIANO MILANESE - ITALY
PHONE +39.02.98.83.055
FAX +39.02.98.83.056
E-MAIL: SALES@SPOTLIGHT.IT
WEB: WWW.SPOTLIGHT.IT

Your Dealer



SPOTLIGHT  
professional lighting for the performing arts
certified quality management system ISO 9001:2000