



Combi range

Professional lighting equipment
for general purpose stages


SPOTLIGHT
professional lighting for the performing arts

Combi Range - Zoom Profile Spots

General features

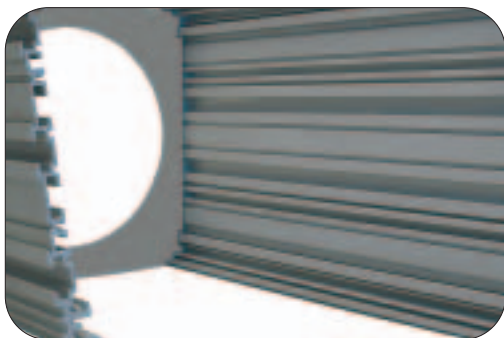


The range of Combi Zoom profile spots offer a number of innovative technical solutions and are constructed from a combination aluminium and steel.

This unique design provides a competitive price whilst maintaining the lighting performance and the professional quality of the Figura profile spot of the Sintesi range



Reversible yoke mounted onto extruded sliding rails, adjustable height for correct balancing of the accessories and for use in any position



Extruded aluminium and steel housing for thermal dissipation and high shock resistance



Filter holder locking system



Lens mounted onto extended retaining holders to allow inner ventilation

Technical features

Products designed for professional use that guarantee:

Durability:

Die-cast extruded aluminium housing, shockproof with anti-scratch paint

Long-Lasting Performance:

Rugged construction, high capacity electrical components with high-temperature insulation and heat resistant glass lenses

Cooling:

By dissipation through an extended finned extruded aluminium surface and by convection through numerous slots even on the back of the luminaire to enhance ventilation when the unit is positioned at a steep angle

Safety:

All luminaires are CE labelled in accordance with the EN 60598-2-17 standards for professional lighting fixtures for public venues and theatres





Yoke mounted on sliding rails for balancing of accessories and use in any position



Profile spots with access to zoom lenses through two sliding doors



Fine adjustment of light centre length for "peak/flat" projection



Rotation angle of shutters much wider than other models' presently on the market

Technical features

The Combi Zoom profile spots have a mechanical structure with similar features as the Combi Fresnel and PC: rugged construction, shock-proof, long lasting performance, optimum cooling in any operating position and highly safe operation in accordance with EN 60 598-2-17 standards

In addition, they also offer:

- Innovative shutter adjustment system, allowing a rotation angle much wider than normal
- Adjustable lamp base to ensure that both 1000 and 1200 W lamps are centred correctly to the reflector (For spots series 12)
- Micrometric adjustment of the lamp holder provides perfect centering of the lamp and selection of light distribution (peak or flat)
- Zoom lenses are situated on separate rails to provide optimum lens travel, maximum zoom width and smooth operation
- Easy access to the interior of the lantern means easy cleaning of all optical parts
- Fully adjustable yoke mountings, (two vertical and sliding lateral) mean the spot can be balanced and focused in any position without interfering with the shaping shutters
- Easy access to the gobo holder and iris slot, which is covered by a sliding door to avoid light spill, when not in use

Zoom Profile Spots

300/500//650W Halogen

Mod. Combi 05 ZS - Combi 05 ZW

NEW PRODUCT



COMBI 05 ZS

14° to 33° zoom variable profile spot with shaping shutters and slots for Iris/Gobo holder

| | | | | | |
|-------|-------|------|------|------|------|
| Lux | 19431 | 4858 | 2159 | 1214 | 777 |
| ∅ (m) | 0.49 | 0.98 | 1.47 | 1.96 | 2.46 |

NARROW BEAM

14°

| | | | | | |
|-----------|---|---|---|---|----|
| Dist. (m) | 2 | 4 | 6 | 8 | 10 |
|-----------|---|---|---|---|----|

| | | | | | |
|-------|-------|------|------|------|------|
| Lux | 10650 | 2663 | 1183 | 666 | 426 |
| ∅ (m) | 1.18 | 2.37 | 3.55 | 4.74 | 5.92 |

WIDE BEAM

33°

| | | | | | |
|-----------|---|---|---|---|----|
| Dist. (m) | 2 | 4 | 6 | 8 | 10 |
|-----------|---|---|---|---|----|

TESTED WITH LAMP CP89 650W 230V

NEW PRODUCT



COMBI 05 ZW

23° to 40° zoom variable profile spot with shaping shutters and slots for Iris/Gobo holder

| | | | | | |
|-------|-------|------|------|------|------|
| Lux | 14504 | 3626 | 1612 | 907 | 580 |
| ∅ (m) | 0.81 | 1.63 | 2.44 | 3.26 | 4.07 |

NARROW BEAM

23°

| | | | | | |
|-----------|---|---|---|---|----|
| Dist. (m) | 2 | 4 | 6 | 8 | 10 |
|-----------|---|---|---|---|----|

| | | | | | |
|-------|------|------|------|------|------|
| Lux | 8388 | 2097 | 932 | 524 | 336 |
| ∅ (m) | 4.0 | 8.1 | 12.1 | 16.1 | 20.2 |

WIDE BEAM

40°

| | | | | | |
|-----------|---|---|---|---|----|
| Dist. (m) | 2 | 4 | 6 | 8 | 10 |
|-----------|---|---|---|---|----|

TESTED WITH LAMP CP89 650W 230V

Technical features

Electrical

- Standard 230V, 50/60Hz power supply (others available on request)
- Lamp-holder type GY 9.5
- 2m power supply cable (plug available on request)
- Strain relief cable clamp entry into light housing

Safety

- Safety mesh (optional)
- Filter-frame locking system
- Compliance to CE EN 60598-2-17 standards

Optical

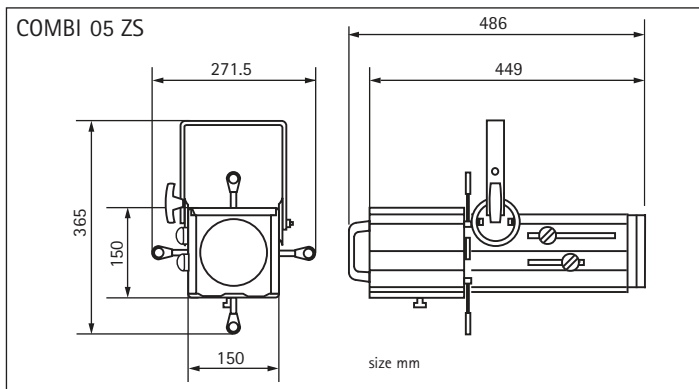
- Independent lens zoom system 14°-33°(ZS) and 23°-40° (ZW)
- Ellipsoidal reflector in 99.99% polished and treated aluminium: 120mm diameter
- 18-leaf iris diaphragm (optional)
- 4 removable shaping shutters mounted between plates specially treated with an anti-abrasive surface
- 90mm optical tempered glass internal lens
- 110mm optical glass internal lens

Mechanical

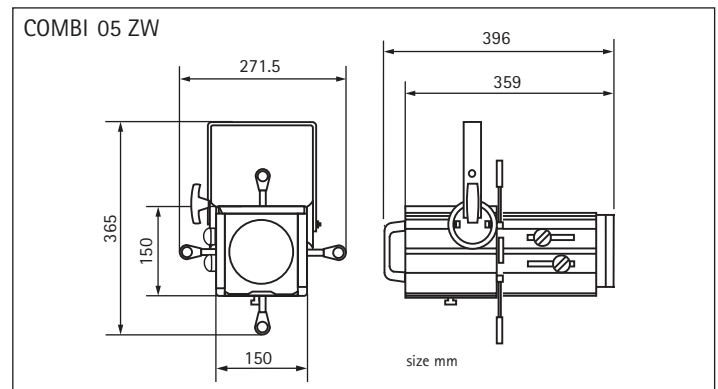
- Extruded aluminium and steel housing
- External black anti-scratch Epoxy Resin paint
- Labyrinth ventilation to avoid light spillage
- Ventilation slots on the rear housing for efficient cooling even in vertical position

Operational

- M and B size gobo holder slots covered by a sliding door to prevent the accessories from falling out and to avoid spill light
- Double sliding door to access lenses for maintenance
- Peak/Even beam setting
- Yoke with 10mm diameter hole, adjustable height, reversible and sliding into extruded rails to balance accessories and for use in any position
- High thermal insulating knobs and handles
- Tilt positioning with fast-locking lever



Net weight Kg 4.8 - Gross weight Kg 5.7 - Box volume m³ 0.038



Net weight Kg 4.5 - Gross weight Kg 5.5 - Box volume m³ 0.034

Information for ordering accessories and different versions

Code

| | |
|-----------------------------------------------------------------------|------------|
| • Combi 05 ZS (14° - 33°) | COM 05 ZS |
| • Combi 05 ZW (23° - 40°) | COM 05 ZW |
| Accessories | |
| • Colour filter frame | TC S05 |
| • Safety mesh | R S05 |
| • Safety bond | FUNE |
| • Gobo-holder for M size gobos | PGM 100 |
| • Gobo-holder for B size gobos | PGB 100 |
| • Iris diaphragm | DIA 05 |
| • Iris diaphragm with black-out | DIA 05 BO |
| • Theatre C-hook in black painted steel for 30 to 50mm diameter tubes | GAC |
| • TV C-hook in die-cast aluminium (PIVOT DIN adaptor required) | A8 |
| • 29mm / M10 spigot adapter | PIVOT DIN |
| • Aluminium clamp for 50mm diameter tubes | HC / 500 |
| • Superclamp | CLAMP |
| • Colour changing scroller, DMX 512 or 0/10V controlled | on request |
| Options | |
| • 100-120V lamp version | on request |

Lamps

Long life (2950 °K)

Theatre (3050 °K)

Film/TV (3200 °K)

| Type / Order code | M 38 | M 40 | T 18 | T26 | CP 81 | CP 82 | CP 89 |
|--------------------------------------|------------|------------|------------|------------|------------|------------|------------|
| Power (W) | 300 | 500 | 500 | 650 | 300 | 500 | 650 |
| Lampholder | GY 9.5 | GY 9.5 | GY 9.5 | GY 9.5 | GY 9.5 | GY 9.5 | GY 9.5 |
| Light-centre/base lamp distance (mm) | 46.5 | 46.5 | 46.5 | 46.5 | 46.5 | 46.5 | 46.5 |
| Luminous flux (Lumen) | 5200 | 10000 | 11000 | 14500 | 7800 | 13500 | 17500 |
| Life time (hours) | 2000 | 2000 | 360 | 600 | 180 | 180 | 180 |
| Colour temperature (°K) | 2950 | 2950 | 3050 | 3050 | 3200 | 3200 | 3200 |
| Supply voltage (V) | 230 | 230 | 230 | 230 | 230 | 230 | 230 |
| Nominal current (Amp.) | 1.3 | 2.17 | 2.17 | 2.8 | 1.3 | 2.17 | 2.8 |

Spotlight reserve the right to change specification without prior notice

SPOTLIGHT SRL

VIA SARDEGNA, 3
20098 S. GIULIANO MILANESE - ITALY
PHONE +39.02.98.83.055
FAX +39.02.98.83.056
E-MAIL: SALES@SPOTLIGHT.IT
WEB: WWW.SPOTLIGHT.IT

Your Dealer



SPOTLIGHT  
professional lighting for the performing arts
certified quality management system ISO 9001:2000