

AECO 30 IP



Light Source
1,800W LED engine

Diameter of Front Lens
225 mm

Total Lumen Output of Fixture
43,000 lumens

Zoom Range
4° - 48°

Protection Rating
IP66

Acme

AECO 30 IP



Main Features

LED engine composed of 1,800W LED

Diameter of Front Lens: 225 mm

Zoom Range: 4°-48°

Total Lumen Output of Fixture: 43,000 lumens

Color Temperature Output of Fixture: 6,200K

2 Rotating Gobo Wheel:

Rotating Gobo Wheel 1: 6 gobos, plus open

Rotating Gobo Wheel 2: 6 gobos, plus open

2 Color Wheel:

Color Wheel 1: 5 colors, plus open

Color Wheel 2: 4 colors, plus open

Color Rendering: Ra≥95, R9≥95, R15≥95

TLCI≥95 TM-30 Rf: 91 TM-30 Rg: 99

Linear CMY color mixing

Variable CTO ranging from 2,700K-6,200K

2 Combinable Rotating and Indexable Prisms:

1 x 4-facet prism, 1 x 4-facet linear prism, rotatable in both directions

1 combinable light frost filter and 1 combinable medium frost filter

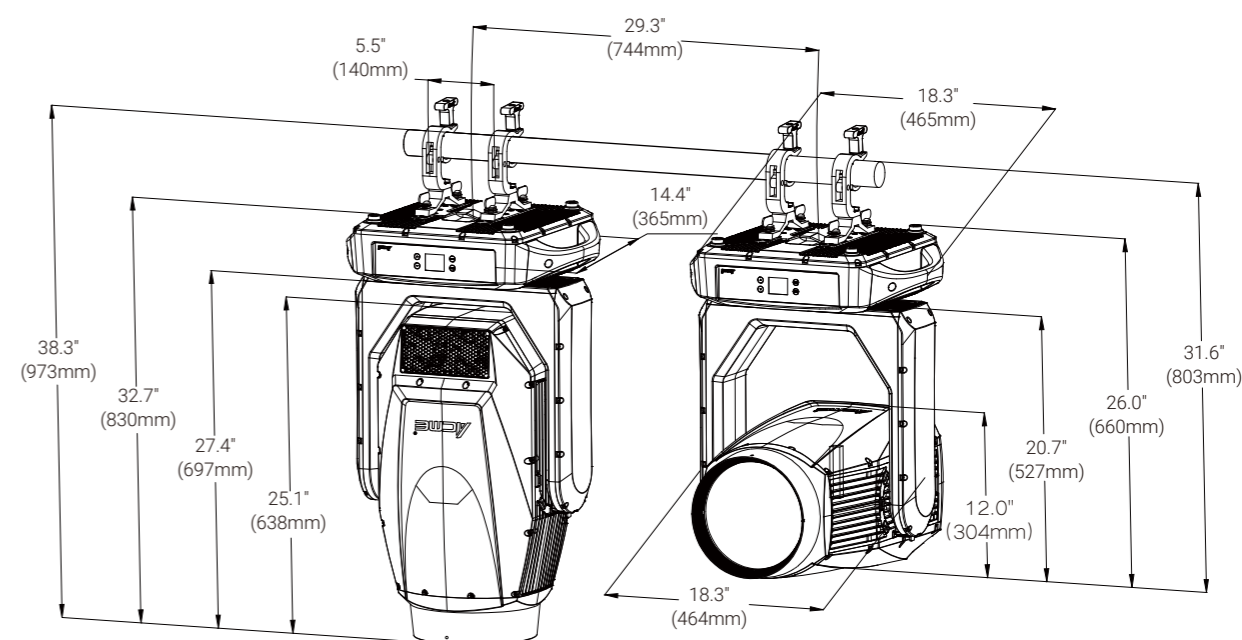
Motorized linear Iris

4 blades, each with separate movement and full blackout;

±60° rotation of the complete framing system

IP66 rated

Technical Specifications



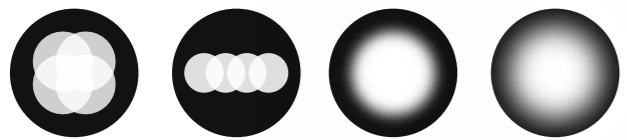
Light Source

- Light Source: 1,800W LED engine
- Color Temperature Output of Fixture: 6,200K
- Total Lumen Output of Fixture: 43,000 lumens
- Life Expectancy: 20,000 hours* manufacturer specification

Optical System

- Zoom Range: 4°-48°
- Color Rendering: Ra≥95, R9≥95, R15≥95
TLCI≥95 TM-30 Rf: 91 TM-30 Rg: 99
- Diameter of Front Lens: 225 mm

Facet Prism / Frost Filter



4-Facet Prism 4-Facet Linear Prism Light Frost Filter Medium Frost Filter

Colors

- Linear CMY color mixing

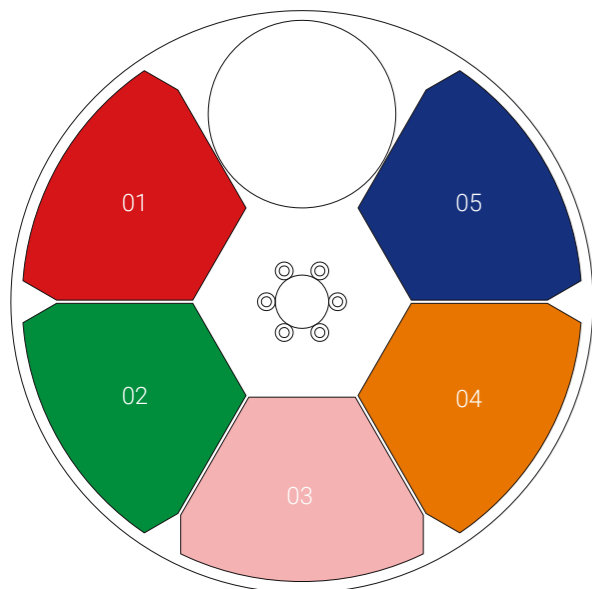


- Linear CTO Color Correction: 2,700K-6,200K



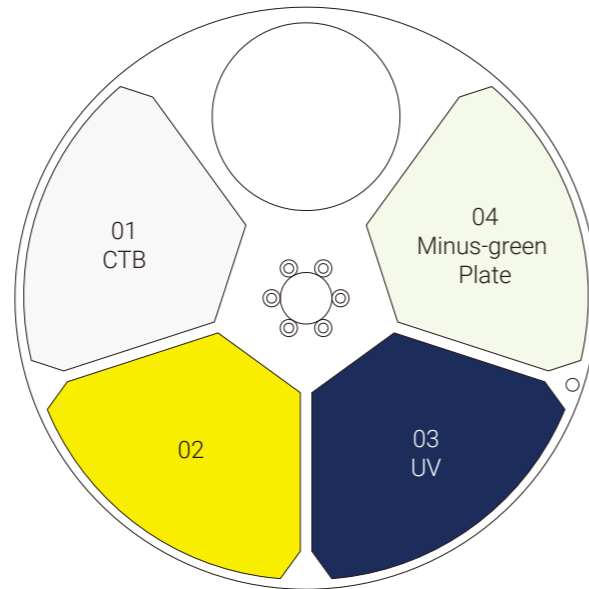
- 2 Color Wheels:

Color Wheel 1: 5 colors, plus open



Color Wheel 1

- Color Wheel 2: 4 colors, plus open



Color Wheel 2

Rotating Gobos

- 2 Rotating Gobo Wheels:

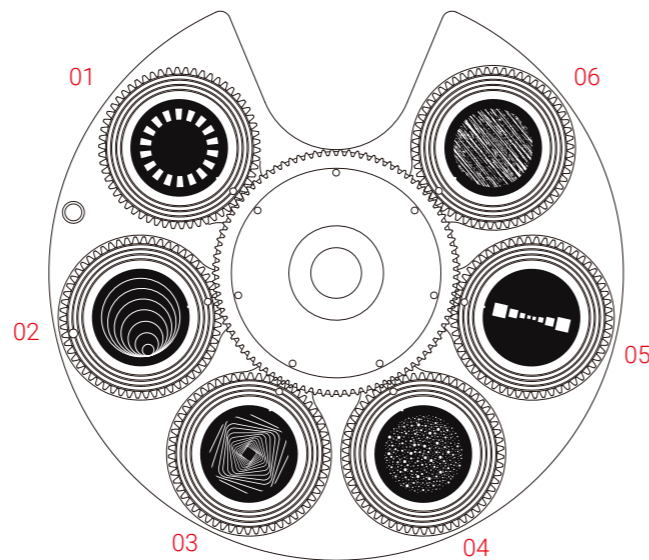
Rotating Gobo Wheel 1: 6 gobos, plus open

Rotating Gobo Wheel 2: 6 gobos, plus open

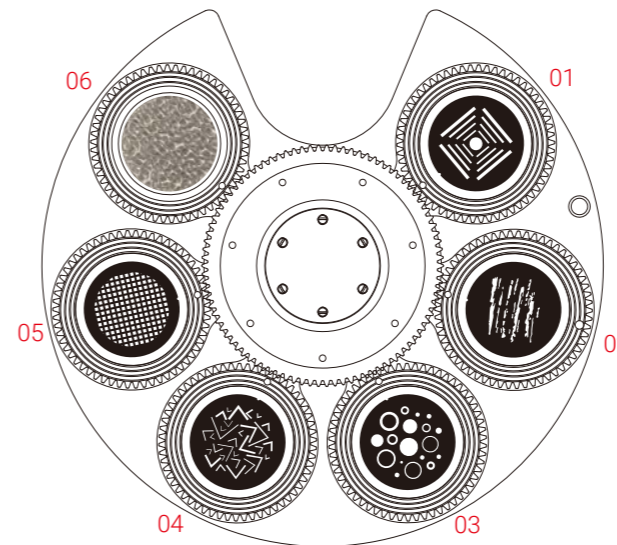
Gobo Diameter 1: 34 mm, Image Diameter 1: 26.5 mm

Gobo Diameter 2: 34 mm, Image Diameter 2: 27.5 mm

Gobo Thickness: 1.1 mm



Rotating GoboWheel 1



Rotating Gobo Wheel 2

Framing System

- Shutter Blades: 4 blades, each with separate movement and full blackout
- Rotation: ±60° of the complete framing system

Animation Wheel

- A graphic animation wheel with continuous rotation in both directions, used alone or in combination with gobos to create the splendid water wave effect, and can be changed into other wheels

Other Effects

- Motorized linear Iris



Animation Wheel Framing Module Linear Iris

Pan & Tilt

- Pan Movement: 540°
- Tilt Movement: 270°
- Automatic Pan/Tilt position correction
- Moving-head operated with 6 bit resolution
- Fixation: Pan/ Tilt lock

Control

- 4 touch button control panel
- Display: LCD display
- Protocols: DMX512, RDM, Art-Net, sACN
- DMX Protocol Modes: 4
- Control Channels: 23/32/34/43
- Firmware Upgrade: Upgrade via DMX link or USB disk

Electrical and Connectors

- Input Voltage Range: **180-240Vac; 50/60Hz**
- Power Consumption: 2,265W
- Power In/Out: Waterproof power connector in/out (TRUE1 type)
- Data In/Out: 3-pin or 5-pin waterproof XLR, RJ45 connector

Physical Information

- Fixture Dimensions:
465 x 365 x 830 mm (18.3" x 14.4" x 32.7")
- Weight: 52.5 kg (115.7 lbs)

Packing Information

- Flight Case Dimensions:
812 x 610 x 910 mm (32.0" x 24.0" x 35.8")
- Weight: (TBD)
- Carton Dimensions:
780 x 575 x 805 mm (29.5" x 22.6" x 31.7")
- Weight: 65.0 kg (143.3 lbs) (one-pack loader carton)

Work Environment

- Maximum Ambient Temperature: 40°C
- Minimum Operating Temperature: -10°C
- Maximum Surface Temperature: 70°C
- Protection Rating: IP66

Installation

- Horizontally or vertically mounting
- Universal working position
- 2 omega brackets
- Safety cable attachment point

Photometric (Images)

Distance(m)	5	10	15	20	50
4° Lux	101,600	25,400	11,288	6,350	1,016
Diameter(m)	0.4	0.7	1.0	1.4	3.5
48° Lux	4,560	1,140	506	285	45
Diameter(m)	4.5	8.9	13.3	17.8	44.5



Specifications subject to change without notice.