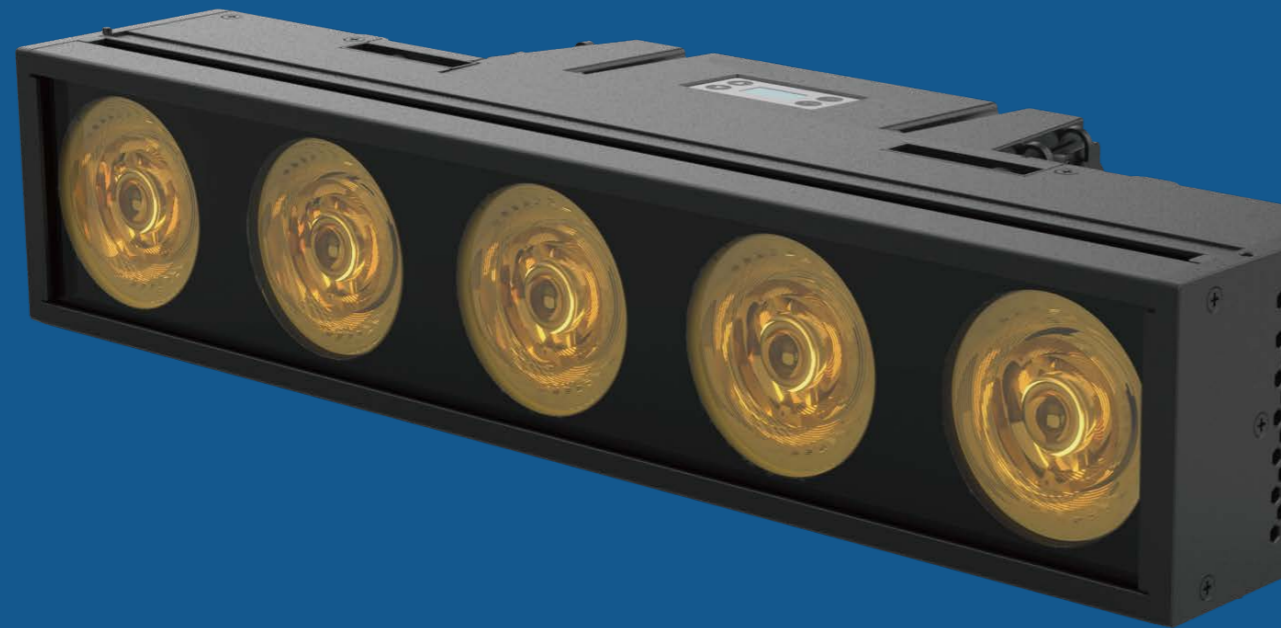


BLINDER LINE 5 IP

BLB 5 IP



Light Source

5 x 150W RGBAW LED

Beam Angle

23°, 34°, 52° (W)

24°, 33°, 55° (RGBA)

Field Angle

46°, 88°, 127° (W)

48°, 85°, 131° (RGBA)

Total Lumen Output of Fixture

10,500 lumens

Protection Rating

IP66

Acme

BLINDER LINE 5 IP



Main Features

LED engine composed of 5 x 150W RGBAW

Individual pixel control and built-in color macro effects

Integrated interlocking system for combining units

IP66 rated

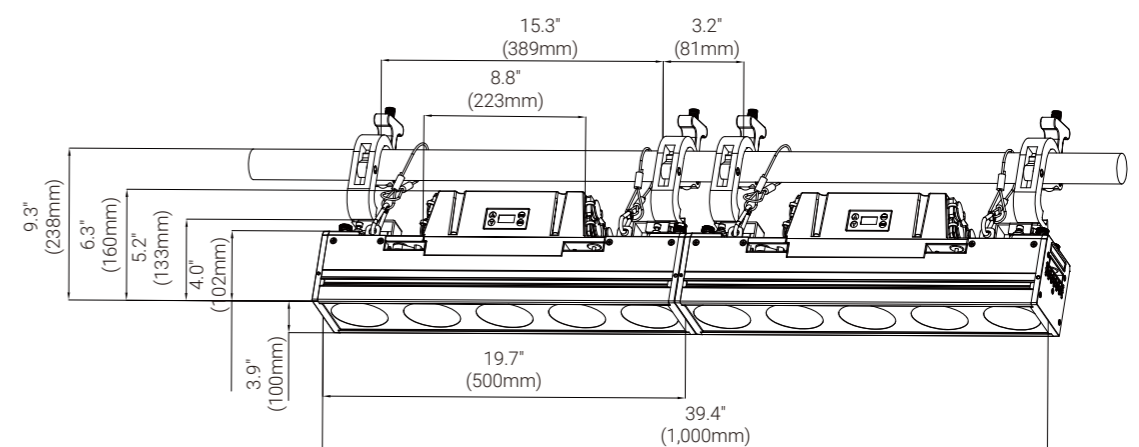
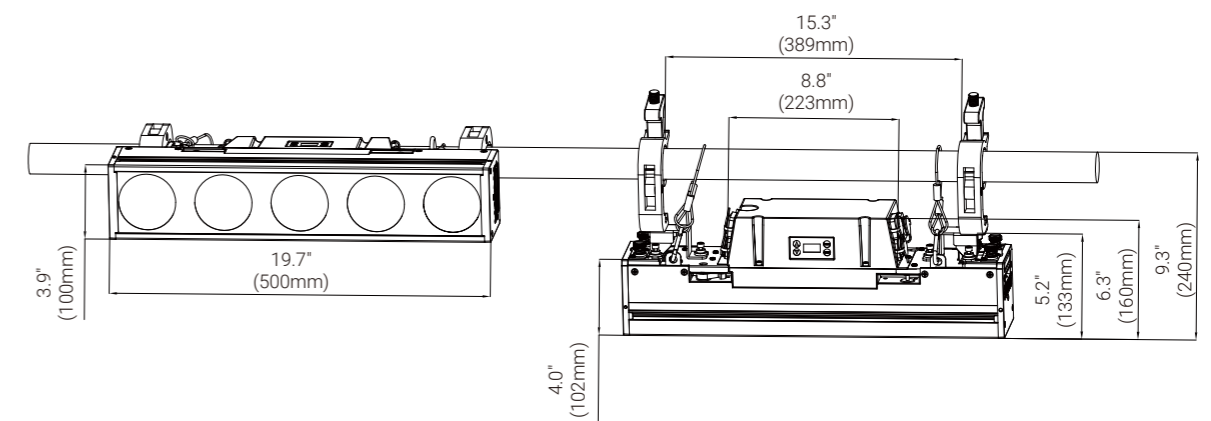
Tungsten emulation during dimming

Patented Smart Glass Technology for frost effects

High output strobe effects

Smooth dimming 0-100%

Technical Specifications



Light Source

- Light Source: 5 x 150W RGBAW LEDs
- Total Lumen Output of Fixture: 10,500 lumens
- Life Expectancy: 20,000 hours * manufacturer specification

Optical System

- Beam Angle: 23°, 34°, 52° (W)
- 24°, 33°, 55° (RGBA)
- Field Angle: 46°, 88°, 127° (W)
- 48°, 85°, 131° (RGBA)

Other Effects

- High output strobe effects
- Smooth dimming 0-100%
- Patented Smart Glass Technology for frost effects

Control

- 4 touch button control panel
- Display: OLED display
- Protocols: DMX512, RDM, Art-Net, sACN
- DMX Protocol Modes: 2
- Control Channels: 14/30
- Firmware Upgrade: Upgrade via DMX link

Electrical and Connectors

- Input Voltage Range: 100-240Vac; 50/60 Hz
- Power Consumption: 350W
- Power In/Out: Waterproof power connector in/out (TRUE1 type)
- Data In/Out: 5-pin waterproof XLR, RJ45 connector

Physical Information

- Fixture Dimensions: 500 x 103.3 x 160.3 mm (19.7" x 4.1" x 6.3")
- Weight: 7.7 kg (17.0 lbs)

Packing Information

- Flight Case Dimensions: Standard: 880 x 580 x 890 mm (34.6" x 22.8" x 35.0")
- Weight: G.W.: 115 kg (253.5 lbs) (eight-pack loader case)

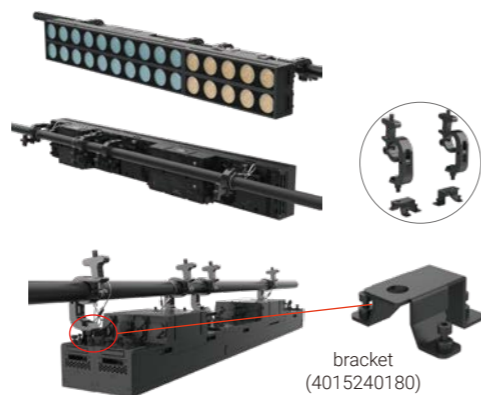
North American Standard:
1,220 x 610 x 850 mm (48.0" x 24.0" x 33.5")
Weight:
G.W.: 179 kg (394.6 lbs) (twelve-pack loader case)
· Carton Dimensions:
630 x 245 x 210 mm (24.8" x 9.6" x 8.3")
Weight:
G.W.: 9.0 kg (19.8 lbs) (one-pack loader carton)

Work Environment

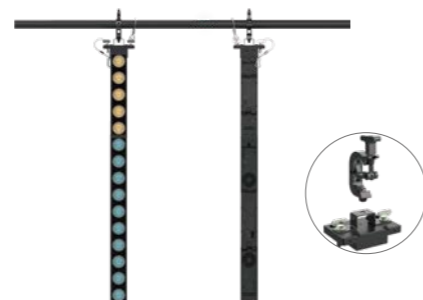
- Maximum Ambient Temperature: 40°C
- Minimum Operating Temperature: -10°C
- Maximum Surface Temperature: 70°C
- Protection Rating: IP66

Installation

- Universal working position
- Horizontal mounting · Vertical mounting
- Vertical Stand mounting · Floor mounting



1. Horizontal mounting
Utilizing two clamp fixing plates (supplied) and clamps (by others), a maximum of 6 fixtures may be connected



2. Vertical mounting
Using one hanging bracket (sold separately), a maximum of 5 fixtures may be connected



3. Vertical Stand mounting
Mounted to one floor stand (sold separately), a maximum of 2 fixtures may be connected



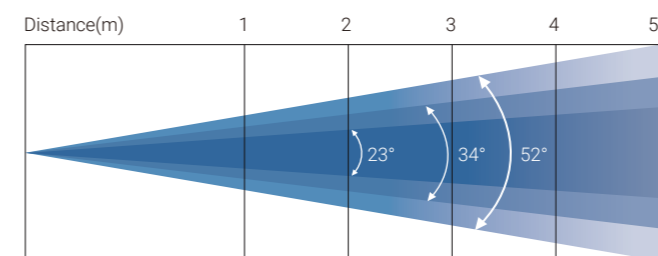
4. Floor mounting
Two floor brackets (sold separately)

Optional Accessories (With Order Code)

- Flight Case: International Standard: 3205001359 (eight-pack loader case) North American Standard: 3205110039 (twelve-pack loader case)
- BLINDER LINE Series Base Stand: 63582785
- Customized Floor Stand w/o Omega Bracket: 63583364 (in pair)
- BLINDER LINE Series Hanging Bracket: 63582969
- Clamp: 2060001632(C-250B)
- Signal Line: 3-pin waterproof signal line (3017013468), 5-pin waterproof signal line (3017013473), RJ45
- Safety Cable: 2060001603-A (SW-05)

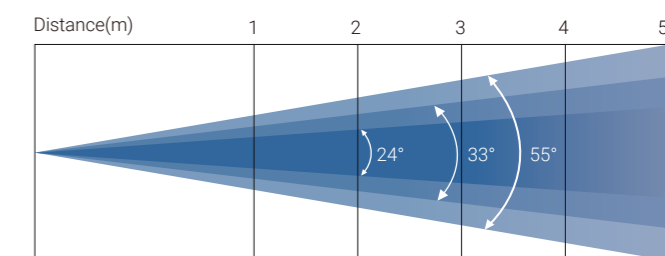
Photometric (Images)

Beam Angle (W):



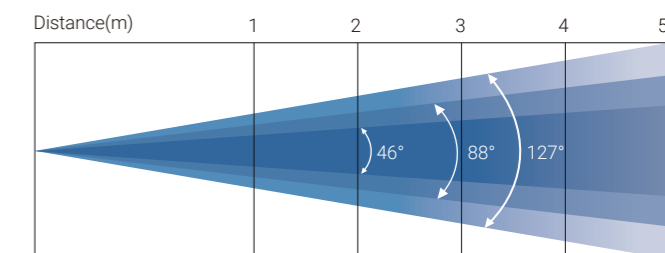
23° Lux	10,000	2,500	1,111	625	400
Diameter(m)	0.4	0.8	1.2	1.6	2.0
34° Lux	2,520	630	280	158	101
Diameter(m)	0.6	1.2	1.8	2.5	3.1
52° Lux	1,500	375	167	94	60
Diameter(m)	1.0	1.9	2.9	3.9	4.9

Beam Angle (RGBA):



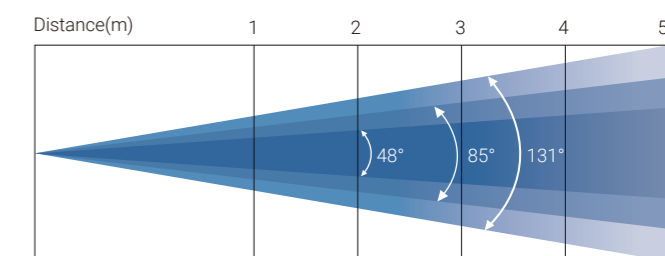
24° Lux	5,280	1,320	587	330	211
Diameter(m)	0.4	0.8	1.3	1.7	2.1
33° Lux	1,436	359	160	90	57
Diameter(m)	0.6	1.2	1.8	2.4	3.0
55° Lux	860	215	96	54	34
Diameter(m)	1.0	2.1	3.1	4.1	5.2

Field Angle (W):



46° Lux	10,000	2,500	1,111	625	400
Diameter(m)	0.8	1.7	2.5	3.4	4.2
88° Lux	2,520	630	280	158	101
Diameter(m)	1.9	3.8	5.7	7.7	9.6
127° Lux	1,500	375	167	94	60
Diameter(m)	4.0	8.0	12.1	16.1	20.1

Field Angle (RGBA):



48° Lux	5,280	1,320	587	330	211
Diameter(m)	0.9	1.8	2.7	3.5	4.4
85° Lux	1,436	359	160	90	57
Diameter(m)	1.84	3.67	5.51	7.34	9.18
131° Lux	860	215	96	54	34
Diameter(m)	4.4	8.8	13.2	17.7	22.1



Specifications subject to change without notice.