

# COOLIE 546

BW 546



Light Source  
**54 x 6W RGBW LED**

Beam Angle  
**19°, 23°, 30°, 40°, 58°**

Field Angle  
**37°, 45°, 59°, 74°, 100°**



## Main Features

### Light Source: 54 x 6W RGBW LED

Beam Angle: 19°, 23°, 30°, 40°, 58°

Field Angle: 37°, 45°, 59°, 74°, 100°

Total Lumen Output of Fixture: 10,000 lumens (45°)

Order Lens Options: D15, D25, D30, D45, D60

### Variable CTO: 2,500K-8,000k

Intelligent light detection can automatically activate the lighting mode and adjust the duration of the light according to the environment

### Compact size, light weight, high light efficiency, low energy consumption

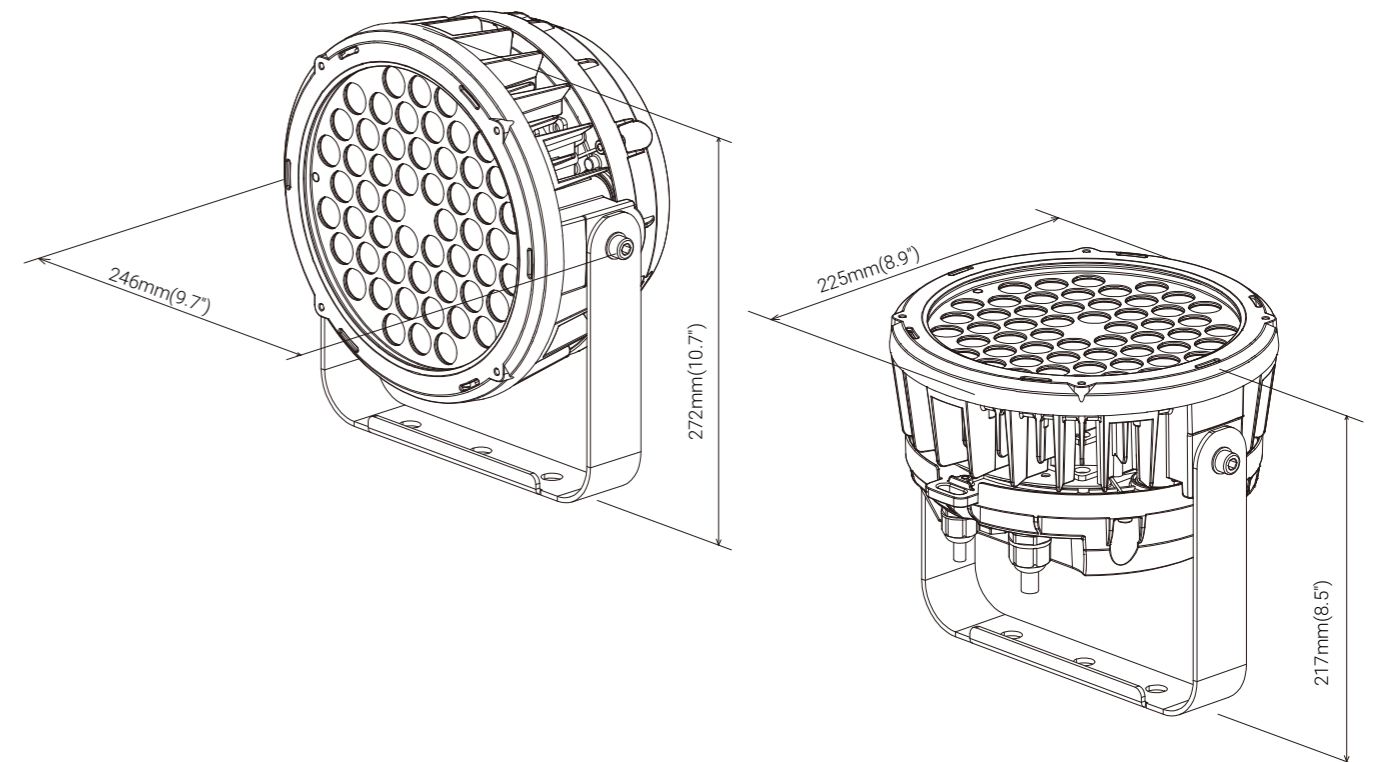
Outstanding strobe effect with variable speed

Smooth dimming 0-100%

IP66 rated

Optional half or top hat

## Technical Specifications



### Light Source

- Light Source: 54 x 6W RGBW LED
- Life Expectancy: 20,000 hours\* manufacturer specification

### Optical System

- Advanced optical design for seamless effects
- Beam Angle: 19°, 23°, 30°, 40°, 58°
- Field Angle: 37°, 45°, 59°, 74°, 100°
- Total Lumen Output of Fixture: 10,000 lumens (45°)
- Order Lens Options: D15, D25, D30, D45, D60

### Colors

- Linear CTO Color Correction: 2,500K-8,000k



### Other Effects

- Outstanding strobe effect with variable speed
- Smooth dimming 0 -100%

### Control

- 4 touch button control panel
- Display: OLED display
- Protocols: DMX512, RDM, Show Mode
- DMX Protocol Modes: 4
- Control Channels: 4/5/8/10
- Firmware Upgrade: Upgrade via DMX link

### Electrical and Connectors

- Input Voltage Range: 100-240Vac; 50/60Hz
- Power Consumption: 230W
- Power In/Out: Bare wire output
- Data In/Out: bare wire output

### Physical Information

- Fixture Dimensions: 246 x 128 x 272 mm (9.7" x 5.0" x 10.7")
- Weight: 4.6 kg (10 lbs)

### Packing Information

- Carton Dimensions: 335 x 315 x 220 mm (13.2" x 12.4" x 8.7")
- Weight: 5.4 kg (11.9 lbs) (one-pack loader carton)

### Work Environment

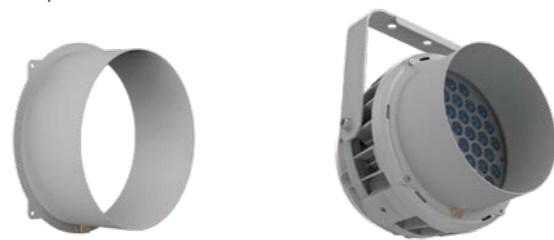
- Maximum Ambient Temperature: 40°C
- Minimum Operating Temperature: -10°C
- Maximum Surface Temperature: 65°C
- Protection Rating: IP66

### Installation

- Horizontally or vertically mounting
- Universal working position
- Multi projection angle operation
- Equip with three lockholes with bracket
- Safety cable attachment point

### Optional Half or Top Hat

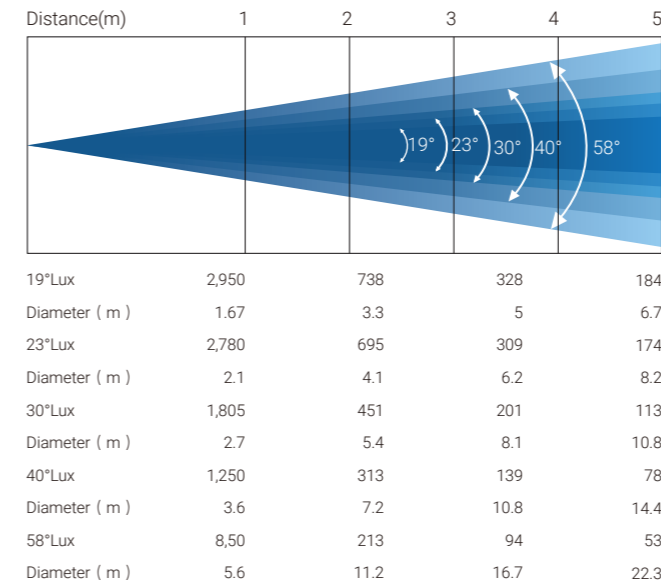
#### 1. Top Hat



#### 2. Half Hat



### Photometric (Images)



Specifications subject to change without notice.