

FLANDINA 12

BAR 12

FEATURES

- High-efficient LED lenses
- The natural 2,700K golden light delivers a tight beam angle at 4°
- Outstanding strobe effect with variable speed
- Can be adjusted 180° on double mounting brackets
- Suitable for project installation and touring
- Individual LED pixel control, equally-spaced LEDs for joining multiple units



TECHNICAL SPECIFICATIONS

Specifications

- Light Source: 12x3W WARM WHITE LED
- Beam Angle: 4°

Control

- DMX Channel: 16/14/5 Channels
- Protocols: DMX512, RDM, Primary/Secondary
- Firmware Upgrade via DMX link

Construction

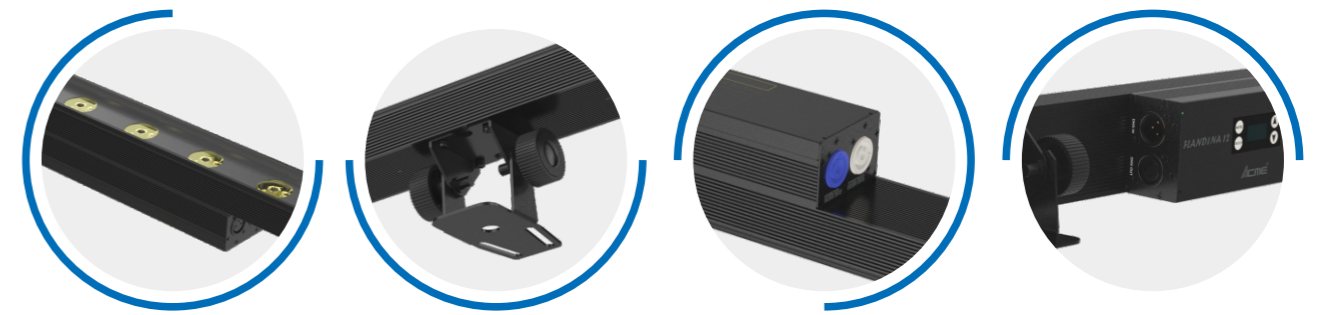
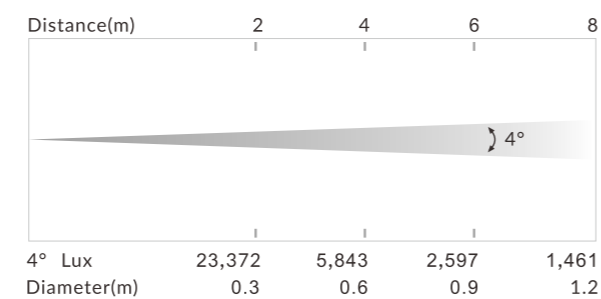
- Display: LED display
- Data In/Out: 3-pin or 5-pin XLR
- Power In/Out: Power Connector in/out
- Protection Rating: IP20

Electrical and Physical

- Input voltage range: 100-240V~ 50/60Hz
- Power Consumption: 55W
- Dimensions: 998x102x106mm (39.3"x4.0"x4.2")
- Carton dimensions: 1090x280x340mm (42.9"x11.0"x13.4")
- Weight: 3.3kg (7.3lbs)

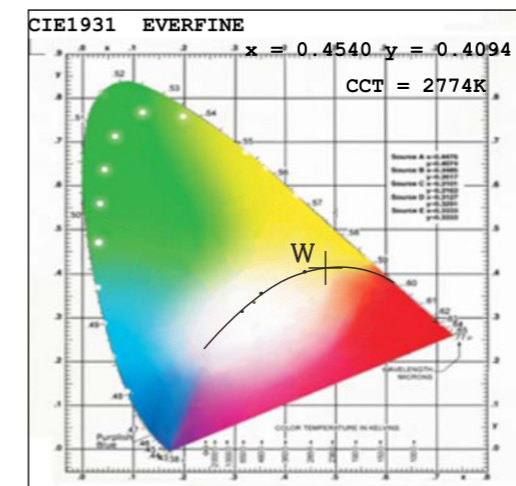
17.1kg (37.7lbs)(Four-pack per carton)

PHOTOMETRICS DIAGRAM

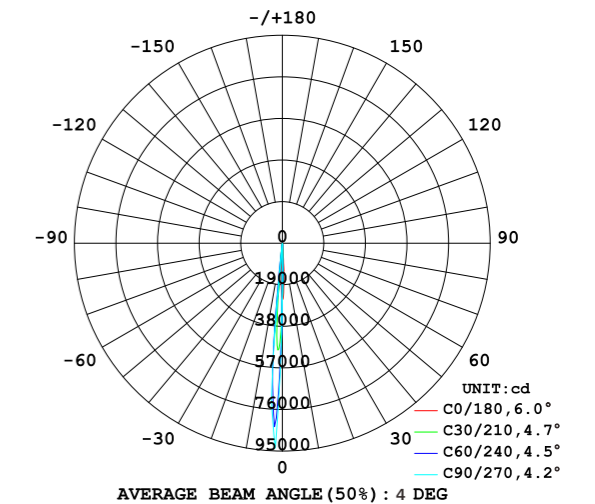


LIGHT QUALITY PARAMETER

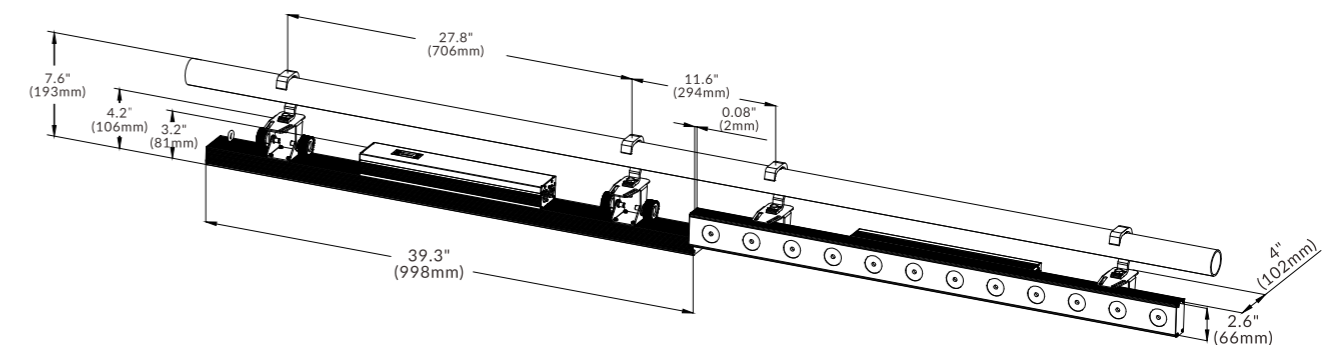
CIE1931 CHROMATICITY COORDINATES (Pending)



LUMINOUS INTENSITY DISTRIBUTION DIAGRAM



DIMENSIONS



PROJECT INSTALLATION

PROJECT INSTALLATION