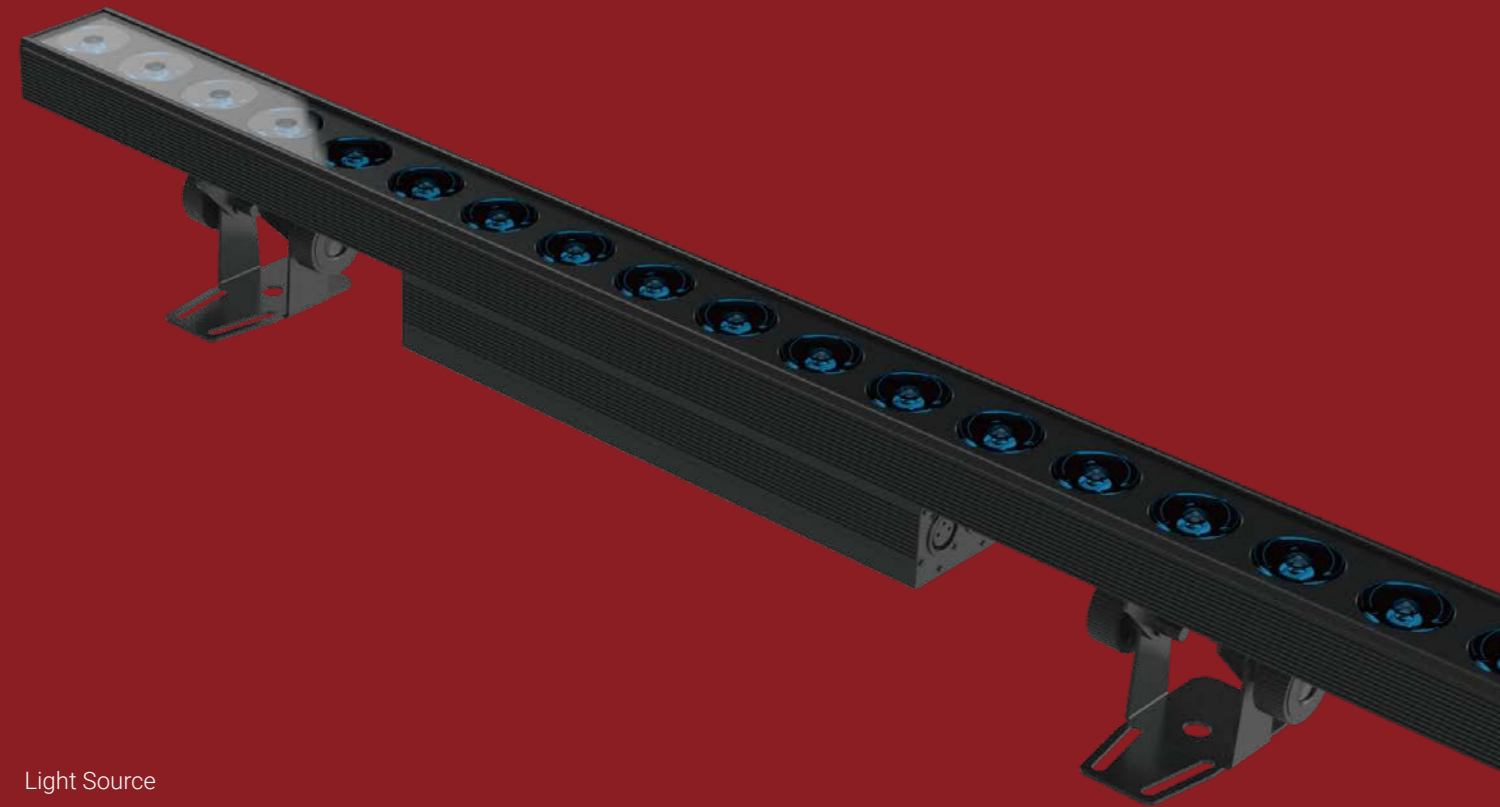


FLANDINA 18

BAR 18



Light Source
18 x 8W RGBW LED

Beam Angle
14.5°



Main Features

Light Source: 18 x 8W RGBW LED

Beam Angle: 14.5°

Field Angle: 26.4°

Efficient LED lens, uniform color mixing, which makes the light effect better

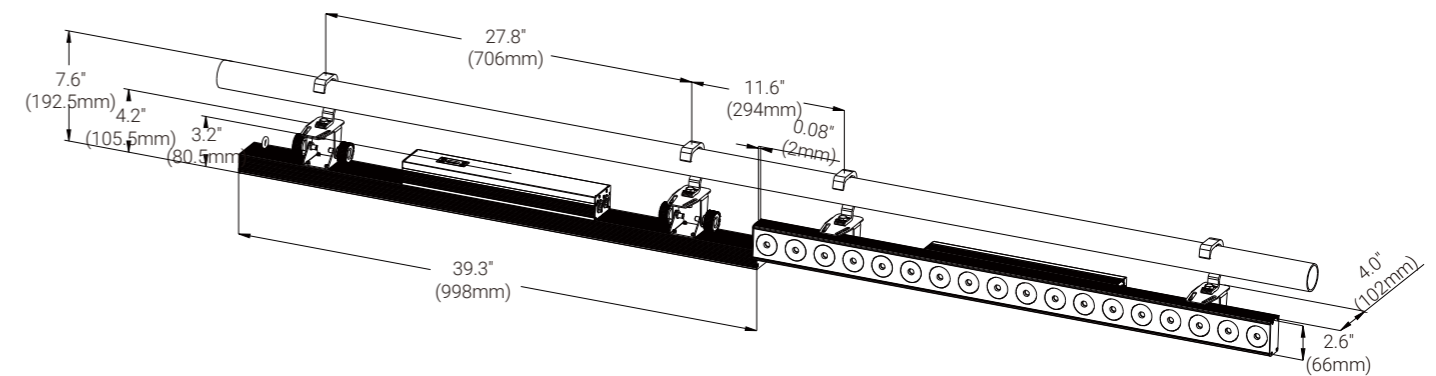
Smooth dimming 0~100%

Outstanding strobe effect with variable speed

Suitable for fixed installation or mobile performance

There are double mounting brackets at the base, the adjustable angle of the lamp can reach 180° in both directions

Technical Specifications



Light source

- Light Source: 18 x 8W RGBW LED
- Life Expectancy: 20000 hours* manufacturer specification

Optical System

- Beam Angle: 14.5°
- Field Angle: 26.4°

Other Effects

- Efficient LED lens, uniform color mixing, which makes the light effect better
- Smooth dimming 0~100%
- Outstanding strobe effect with variable speed

Control and Program

- 4-Button touch panel
- Display: OLED display
- Protocols: DMX512, RDM
- DMX Protocol Modes: 6
- Control Channels: 4/8/10/11/16/22
- Firmware Upgrade: Upgrade via DMX link

Electrical and Connectors

- Input Voltage Range: 100-240Vac; 50/60Hz
- Power Consumption: 125W
- Power In/Out: Power connector input/output (TRUE1 type)
- Data In/Out: 3-pin or 5-pin XLR

Fixture Specification

- Fixture Dimensions:
998 x 102 x 106 mm (39.3" x 4.0" x 4.3")
- Weight: 3.5 kg (7.7 lbs)

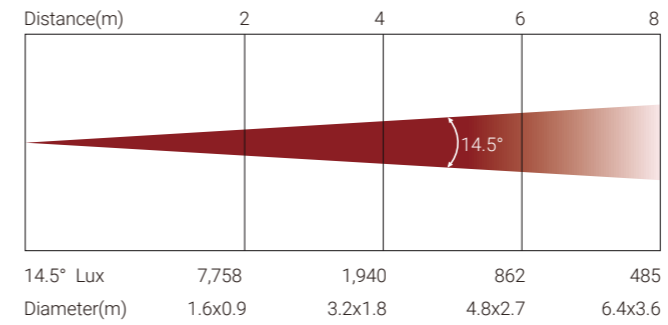
Work environment

- Maximum Ambient Temperature: 45°C
- Maximum Surface Temperature: 65°C
- Minimum Operating Temperature: 0°C
- Protection Rating: IP20

Installation

- Horizontally or vertically mounting
- Universal working position
- Safety cable attachment point

Photometric (Images)



Specifications subject to change without notice.