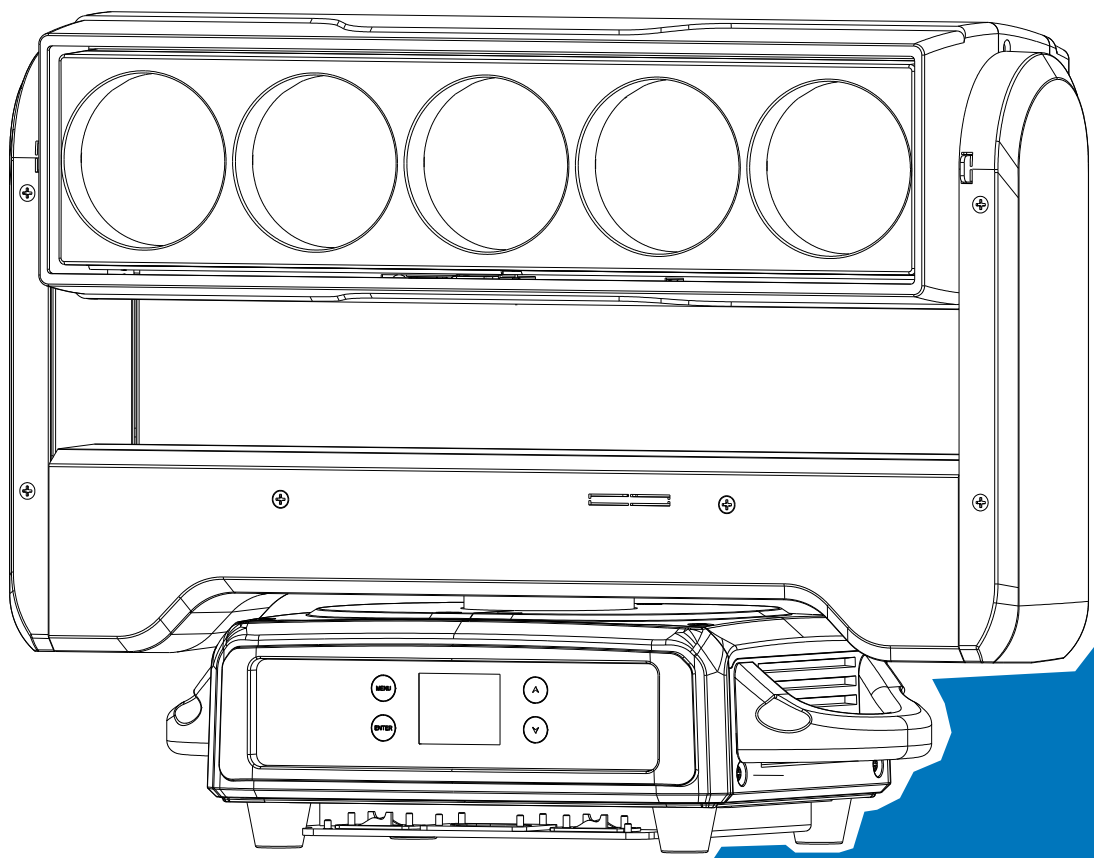


Acme[®]

GEMINI



User Manual

Please read the instruction carefully before use

CONTENTS

| | |
|--|----|
| 01/ Safety Instructions..... | 2 |
| 02/ Technical Specifications | 6 |
| 03/ Control Panel..... | 8 |
| 04/ Fixture Installation..... | 9 |
| 05/ How To Set The Unit..... | 11 |
| 5.1 Main Functions | 11 |
| 5.2 Home Position Adjustment | 25 |
| 06/ Control By Universal DMX Controller..... | 29 |
| 6.1 DMX512 Connection..... | 29 |
| 6.2 Address Setting..... | 30 |
| 6.3 DMX512 Configuration | 30 |
| 07/ Error Information | 44 |
| 08/ Troubleshooting | 47 |
| 09/ Fixture Cleaning..... | 48 |

01/ Safety Instructions



Please read the instruction carefully which includes important information about the installation, usage and maintenance.

WARNING

Please keep this User Guide for future consultation. If you sell the unit to another user, be sure that they also receive this instruction manual.

Important:

Damages caused by the disregard of this user manual are not subject to warranty. The dealer will not accept liability for any resulting defects or problems.

- Unpack and check carefully to ensure that there is no transportation damage before using the unit.
- This product is for indoor use only. Use only in a dry location.
- DO install and operate by qualified operator.
- DO NOT allow children to operate the fixture.
- Use safety chain (made of steel, min. diameter 2.0mm) when fixing the unit. Handle the unit by carrying its base instead of head only.
- The unit must be installed in a location with adequate ventilation, at least 50cm from adjacent surfaces.
- Be sure that no ventilation slots is blocked, otherwise the unit will be overheated.
- Before operation, ensure that you are connecting this product to the proper voltage in accordance with the specifications in this manual or on the product's specification label.
- It's important to ground the yellow/green conductor to earth in order to avoid electric shock.
- Minimum ambient temperature TA: 0°C. Maximum ambient temperature TA: 40°C. Do not operate this product at a lower or higher temperature.
- DO NOT connect the device to any dimmer pack.
- Keep flammable materials away from the fixture while operating to avoid fire hazard.
- Make sure the power cord is not crimped or damaged; replace it immediately if damaged.
- Unit's surface temperature may reach up to 75°C. DO NOT touch the housing bare-handed during its operation.
- Avoid any flammable liquids, water or metal from entering the unit. Once it happens, cut

off the mains power immediately.

- DO NOT operate in a dirty or dusty environment. DO clean the fixture regularly.
- DO NOT touch any wire during operation as there might be a hazard of electric shock.
- Avoid entanglement of the power cord with other wires.
- The minimum distance to objects/surface must be more than 0.5 meters.
- Disconnect mains power before fuse replacement or servicing.
- Replace fuse only with the same type.
- In the event of serious operating problem, stop using the unit immediately.
- Never turn on and off the unit time after time.
- The housing, the lenses, or the ultraviolet filter must be replaced if they are visibly damaged.
- DO NOT open the housing as there are no user serviceable parts inside.
- DO NOT attempt to operate this unit if it becomes damaged. DO NOT attempt any repairs yourself. Repairs carried out by unskilled people can lead to damage or malfunction. Please contact the nearest authorized technical assistance center if needed.
- Disconnect this product from its power source before servicing.
- DO use the original packaging if the device is to be transported.
- Avoid direct eye exposure to the light source while the product is on.
- DO NOT operate this product if you see damage on the housing, shields, or cables. Have the damaged parts replaced by an authorized technician at once.

01/ Consignes de sécurité



Veillez lire attentivement les instructions qui contiennent des informations importantes sur l'installation, l'utilisation et l'entretien.

ATTENTION

Veillez conserver ce guide de l'utilisateur pour une consultation future. Si vous vendez l'appareil à un autre utilisateur, assurez-vous qu'il reçoive également ce manuel d'instructions.

Important:

Les dommages causés par le non-respect de ce manuel d'utilisation ne sont pas couverts par la garantie. Le revendeur n'acceptera aucune responsabilité pour les défauts ou problèmes qui en résultent.

- Déballez et vérifiez soigneusement qu'il n'y a pas de dommages dus au transport avant d'utiliser l'appareil.
- Ce produit est destiné à un usage intérieur uniquement. Il doit donc être utilisé uniquement dans un endroit sec.
- L'installation et la mise en fonctionnement doit être effectué par un opérateur qualifié.
- NE PAS permettre aux enfants d'utiliser l'appareil.
- Utilisez une chaîne de sécurité lors de la fixation de l'unité. Manipulez l'appareil en portant sa base au lieu de la tête uniquement.
- L'unité doit être installée dans un endroit avec une ventilation adéquate, à au moins 50cm des surfaces adjacentes.
- Assurez-vous qu'aucune fente d'aération du luminaire n'est obstruée, sinon il risque de surchauffer.
- Avant toute utilisation, assurez-vous que vous connectez ce luminaire à la tension appropriée conformément aux spécifications que vous trouverez dans ce manuel ou sur l'étiquette des spécifications collée sur la base du luminaire.
- Il est important de relier le file jaune/vert à la terre afin d'éviter tout choc électrique.
- Température ambiante minimale TA: 0°C. Température ambiante maximale TA: 40°C. N'utilisez pas ce luminaire à des températures inférieures ou supérieures.
- NE PAS connecter le luminaire à un pack de gradateurs.
- Gardez les matériaux inflammables à l'écart du luminaire pendant le fonctionnement

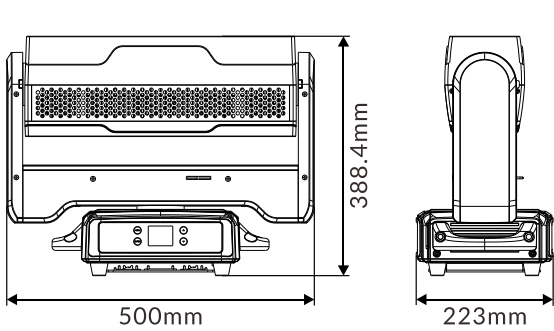
pour éviter tout risque d'incendie.

- Assurez-vous que le cordon d'alimentation n'est pas pincé ou endommagé; remplacez-le immédiatement s'il est endommagé.
- La température de surface de l'unité peut atteindre 75°C. NE PAS toucher les capots à mains nues pendant son fonctionnement.
- Évitez que des liquides inflammables, de l'eau ou du métal ne pénètrent dans l'appareil. Si cela se produit, coupez immédiatement l'alimentation secteur.
- NE PAS utiliser le luminaire dans un environnement sale ou poussiéreux. Cette appareil doit être nettoyer régulièrement.
- NE touchez AUCUN file pendant le fonctionnement car il pourrait y avoir un risque de choc électrique.
- Évitez l'enchevêtrement du cordon d'alimentation avec d'autres fils.
- La distance minimale de projection sur des objets ou sur des surfaces doit être supérieure à 0.5 mètres.
- Débranchez l'alimentation secteur avant le remplacement ou l'entretien des fusibles.
- Remplacez le fusible uniquement par un fusible du même type.
- En cas de problème de fonctionnement grave, arrêtez immédiatement d'utiliser l'appareil.
- N'allumez et n'éteignez jamais ce luminaire à maintes reprises.
- Le boîtier, les lentilles ou le filtre ultraviolet doivent être remplacés s'ils sont visiblement endommagés.
- NE PAS ouvrir le boîtier car il ne contient aucune pièce réparable par l'utilisateur.
- NE PAS mettre ce luminaire en fonctionnement s'il est endommagé. N'effectuez pas de réparations vous-même. Les réparations ne doivent être effectuées par des personnes non qualifiées, cela peut entraîner des dommages ou des dysfonctionnements. Veuillez contacter le centre d'assistance technique agréé le plus proche si nécessaire.
- Débranchez ce produit du secteur avant de procéder à l'entretien.
- Utiliser l'emballage d'origine si l'appareil doit être transporté.
- Évitez une exposition directe des yeux à la source lumineuse lorsque le produit est allumé.
- N'utilisez PAS ce produit si vous constatez des dommages sur le boîtier, les blindages ou les câbles. Faites remplacer immédiatement les pièces endommagées par un technicien agréé.

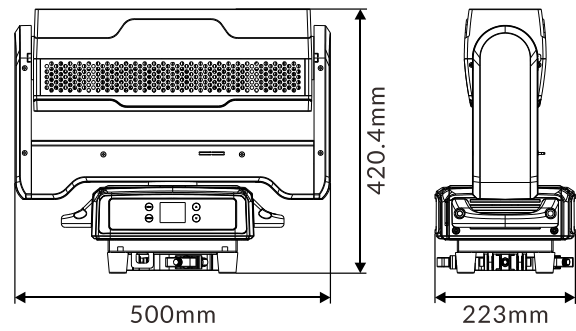
02/ Technical Specifications

| | | |
|--------------------------|--|-----------------------------------|
| Power Voltage | 100-240V~ 50/60Hz | |
| Power Consumption | 1240W | |
| Light Source | 5x60W RGBW LED | |
| | 36x18W CW LED | |
| Beam Angle | 2.8°-31° (beam section) | |
| | 96° (strobe section) | |
| Field Angle | 5°-46° (beam section) | |
| | 116° (strobe section) | |
| Dimmer/Strobe | 0-100% smooth dimming; outstanding strobe effect with variable speed | |
| Movement | Pan | Infinite |
| | Tilt | Infinite |
| | Pan/Tilt Resolution | 16 bit |
| | Automatic pan/tilt position correction | |
| | Fixation | Pan/Tilt lock |
| Control | DMX Channel | 58/25/23/35+/27/70/55 Channels |
| | Control Mode | DMX512 |
| | | RDM |
| | | Art-Net |
| | | sACN |
| Firmware Upgrade | Firmware Upgrade via DMX link | |
| Construction | Display | LCD display |
| | Battery backup for user setup without mains connection | |
| | Data In/Out | 5-pin XLR (3-pin XLR is optional) |
| | | RJ45 Connector |
| | Power In/Out | Power Connector in/out |
| Protection Rating | IP20 | |

| | | |
|-------------------|--|------------------|
| Features | With zoom and strobe functions | |
| | Beam section: 5 x RGBW LEDs with individual control | |
| | Strobe section: 18 x CW LED zones with individual control | |
| | Variable CTO | |
| | Outstanding color mixing effect | |
| | Supplied with two omega brackets (optional with two fixed foldable clamps) | |
| Dimensions | 500x223x388.4 mm (version with omega bracket holes) | 19.7"x8.8"x15.3" |
| Dimensions | 500x223x420.4 mm (version with fixed foldable clamps) | 19.7"x8.8"x16.6" |
| Weight | 19.2 kg (version with omega bracket holes) | 42.3 lbs |
| Weight | 20.3 kg (version with fixed foldable clamps) | 44.8 lbs |



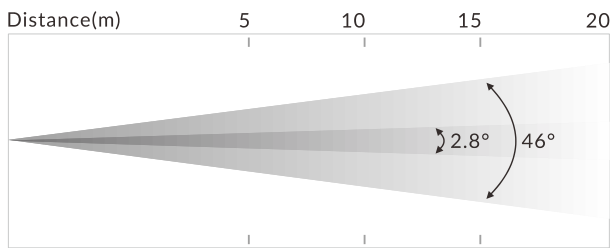
version with omega bracket holes



version with fixed foldable clamps

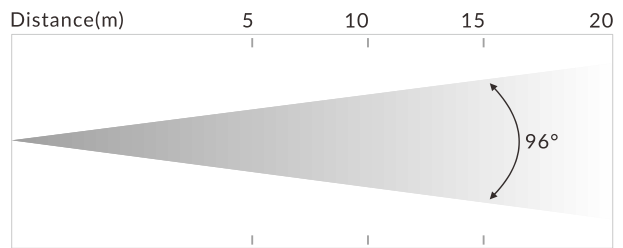
Photometric Diagram:

Beam section:



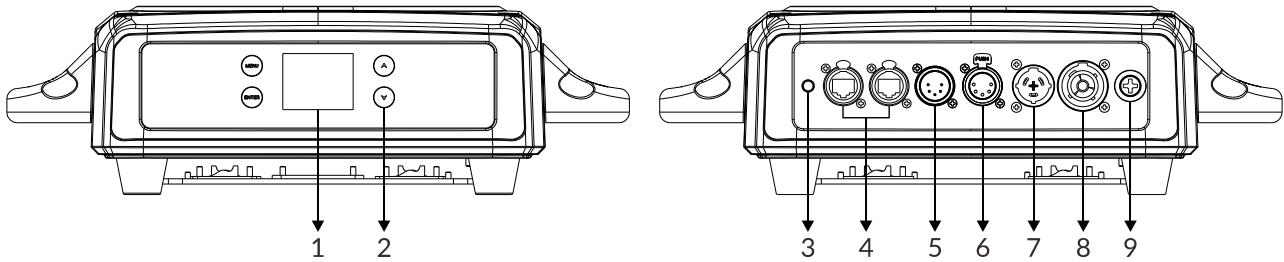
| | | | | |
|-------------|--------|-------|-------|-------|
| 2.8° Lux | 16,754 | 4,189 | 1,862 | 1,047 |
| Diameter(m) | 0.2 | 0.4 | 0.6 | 0.8 |
| 46° Lux | 552 | 138 | 61 | 38 |
| Diameter(m) | 3.3 | 6.5 | 9.8 | 13 |

Strobe section:



| | | | | |
|---------|-------|-----|-----|----|
| 96° Lux | 1,030 | 258 | 114 | 64 |
|---------|-------|-----|-----|----|

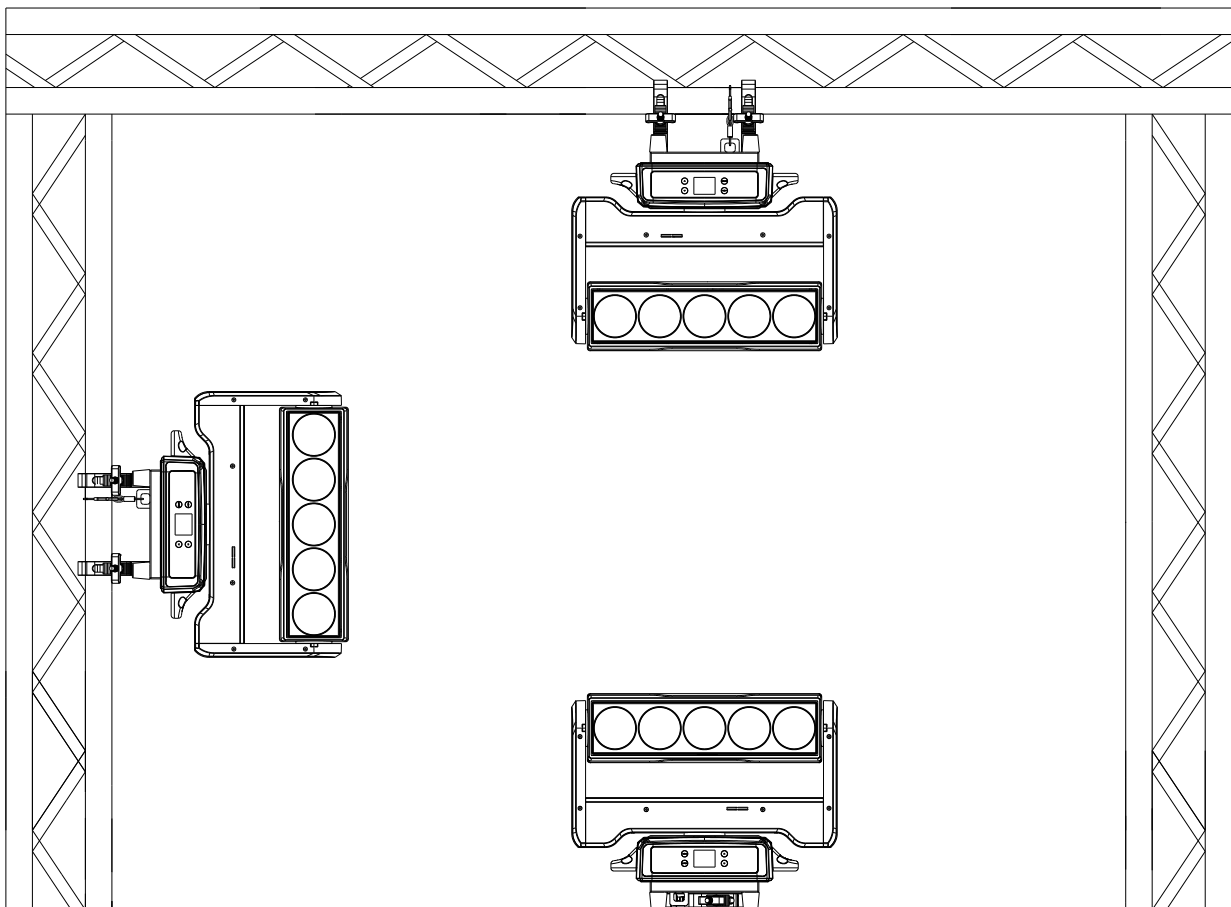
03/ Control Panel



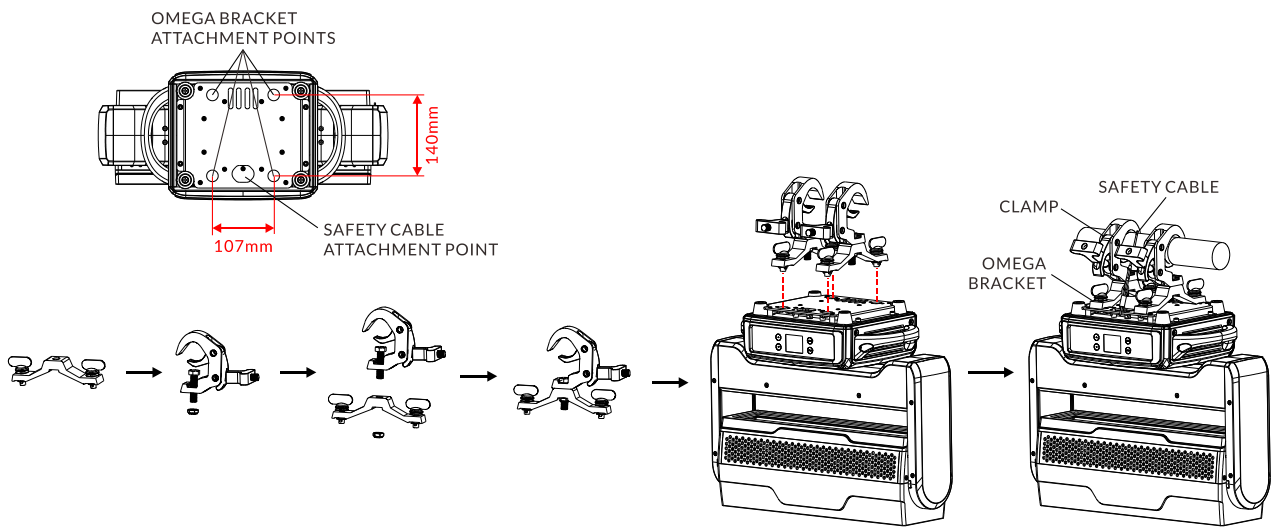
| | | |
|--------------------|--|---|
| 1. Display | To show the various menus and the selected function | |
| 2. Buttons | MENU | To enter into move backward or leave the menu |
| | ▲ UP | To go backward to move up in the menu |
| | ▼ DOWN | To go forward to move down in the menu |
| | ENTER | To perform the desired functions |
| 3. BATTERY DISPLAY | | |
| 4. ETHERNET | Transfers fixture's information to a main controller | |
| 5. DMX IN | For DMX512 link, use 5-pin XLR cable to link the unit and DMX controller to input DMX signal (3-pin XLR cable is optional) | |
| 6. DMX OUT | For DMX512 link, use 5-pin XLR cable to link the next units to output DMX signal (3-pin XLR cable is optional) | |
| 7. POWERCON IN | To connect to supply power | |
| 8. POWERCON OUT | To connect to the next fixture | |
| 9. FUSE(T 15A) | Protects the unit from damage of over current or short circuit | |

04/ Fixture Installation

- ▶ DO install and operate by qualified operator. Fixture(s) should be installed in areas outside walking paths, seating areas, or away from areas where unauthorized personnel might reach the fixture by hand. NEVER stand directly below the fixture(s) when rigging, removing or servicing.
- ▶ Always ensure that the unit is firmly fixed to avoid vibration and slipping off during operation. Ensure that the trussing or area of installation must be able to hold 10 times the weight without any deformation. Always attach a safety cable (made of steel, min. diameter 2.0mm) that can hold at least 12 times the weight of the fixture whenever installing this fixture in a suspended environment to ensure that the fixture will not fall if the clamp fails.
- ▶ This fixture is fully operational in three different mounting positions: hanging upside-down, mounted sideways on trussing, or standing on the floor. Always use and install a safety cable as a safety measure to prevent accidental damage and/or injury in the event the clamp fails.



Steps for installing omega brackets to the fixture:



05/ How To Set The Unit

5.1 Main Functions

- ▶ To access the control menus, press the [MENU] button.
- ▶ Navigate the menu structure, using the [ENTER], [▲ UP] and [▼ DOWN] buttons.
- ▶ To select a menu option or to confirm a selection, press the [ENTER] button.
- ▶ To return to a higher level in the menu structure without making a change, press the [MENU] button, or wait 30 seconds.

The main functions are shown below:

| MENU | SUBMENU | OPTIONS | |
|--------------|------------------|----------------|-------------|
| DMX Settings | DMX Address | 1-455 (58 CH) | (Default=1) |
| | | 1-488 (25 CH) | |
| | | 1-490 (23 CH) | |
| | | 1-478 (35+ CH) | |
| | | 1-486 (27 CH) | |
| | | 1-443 (70 CH) | |
| | | 1-458 (55 CH) | |
| | Mode 4 ART Addr | 1-493 (35+ CH) | (Default=1) |
| | DMX Channel Mode | 58 CH | |
| | | 25 CH | |
| | | 23 CH | |
| | | 35+ CH | |
| | | 27 CH | |
| | | 70 CH | |
| | | 55 CH | |
| | No DMX Status | Blackout | |
| | | Hold | |
| | | Manual | |
| | View DMX Value | | |
| | Connect Option | Auto | |
| DMX | | | |
| Art-Net | | | |
| sACN | | | |
| | | | |

| MENU | SUBMENU | OPTIONS | | |
|--------------------|------------------|---------------|---------------------------|---------------|
| | Network | IP Address | Default 1:002.xxx.xxx.xxx | |
| | | | Default 2:010.xxx.xxx.xxx | |
| | | | Manual:xxx.xxx.xxx.xxx | |
| | | Subnet Mask | xxx.xxx.xxx.xxx | |
| | Art-Net Settings | Net | 0-127 | (Default=0) |
| | | Sub-Net | 0-15 | (Default=0) |
| | | Universe | 0-15 | (Default=0) |
| | sACN Settings | sACN Universe | 1-32000 | (Default=1) |
| | | sACN Priority | 0-200 | (Default=100) |
| | Network to DMX | No | | |
| Yes | | | | |
| Fixture Settings | Pan Invert | No | | |
| | | Yes | | |
| | Tilt Invert | No | | |
| | | Yes | | |
| | P/T Feedback | No | | |
| | | Yes | | |
| | Dimmer Curve | Linear | | |
| | | Square Law | | |
| | | Inv SQ Law | | |
| | | S Curve | | |
| | Dimmer Speed | Fast | | |
| | | Smooth | | |
| | White Balance | Red | 125-255 | |
| | | Green | 125-255 | |
| | | Blue | 125-255 | |
| | | Red 1 | 125-255 | |
| | | Green 1 | 125-255 | |
| | | Blue 1 | 125-255 | |
| | | | | |
| | | Red 5 | 125-255 | |
| Green 5 | | 125-255 | | |
| Blue 5 | | 125-255 | | |
| Invert Pixel Order | Disable | | | |
| | Enable | | | |
| Line Power Mode | Off | | | |
| | On | | | |

| MENU | SUBMENU | OPTIONS | | | |
|------------------|---------------------|---------------|--------|---------------|--------|
| Display Settings | Display Invert | No | | | |
| | | Yes | | | |
| | Backlight Intensity | 1-10 | | (Default=10) | |
| | | | | | |
| | Temperature Unit | °C | | | |
| | | °F | | | |
| Language | English | | | | |
| | Chinese | | | | |
| Fixture Test | Auto Test | Single | | | |
| | | Cycle | | | |
| | Manual Test | Mode 1 | | Mode 2 | |
| | | Clear | No/Yes | Clear | No/Yes |
| | | Pan | 0-255 | Pan | 0-255 |
| | | Tilt | 0-255 | Tilt | 0-255 |
| | | Pan Infinity | 0-255 | Pan Infinity | 0-255 |
| | | Tilt Infinity | 0-255 | Tilt Infinity | 0-255 |
| | | R LED 1 | 0-255 | R LED | 0-255 |
| | | G LED 1 | 0-255 | G LED | 0-255 |
| | | B LED 1 | 0-255 | B LED | 0-255 |
| | | W LED 1 | 0-255 | W LED | 0-255 |
| | | | | CTO | 0-255 |
| | | R LED 5 | 0-255 | Color Macro | 0-255 |
| | | G LED 5 | 0-255 | Zoom | 0-255 |
| | | B LED 5 | 0-255 | Strobe | 0-255 |
| | | W LED 5 | 0-255 | Dimmer | 0-255 |
| | | LED W 1 | 0-255 | Intensity | 0-255 |
| | | | | Duration | 0-255 |
| | | LED W 18 | 0-255 | Rate | 0-255 |
| | | Intensity | 0-255 | Effects | 0-255 |
| | | Duration | 0-255 | | |
| | | Rate | 0-255 | | |
| | | Effects | 0-255 | | |
| | | Zoom | 0-255 | | |
| | | Strobe | 0-255 | | |
| | | Dimmer | 0-255 | | |

| MENU | SUBMENU | OPTIONS | | | |
|---------------------|------------------|-----------------|--------------|-----|-----|
| Fixture Information | Fixture Use Hour | | | | |
| | LED Use Hour | Total LED Hour | | | |
| | | LED On Hour | | | |
| | | LED Hours Reset | Password=050 | | |
| | Temperature | LED's | | Cur | Max |
| | | | LED 1 | | |
| | | LED 2 | | | |
| | | PCBA | CPU-A | | |
| | | | CPU-B | | |
| | | | CPU-C | | |
| | | | CPU-D | | |
| | Fan State | B_FAN 1-2 | | | |
| | | H_FAN 1-5 | | | |
| | Firmware Version | | | | |
| | RDM UID | | | | |
| Error Logs | Fixture Errors | | | | |
| | Reset Error Log | No | | | |
| | | Yes | Password=050 | | |
| Reset Function | Pan/Tilt Reset | No | | | |
| | | Yes | | | |
| | Effect Reset | No | | | |
| | | Yes | | | |
| | All Reset | No | | | |
| | | Yes | | | |
| Special Function | Factory Restore | No | | | |
| | | Yes | | | |

DMX Settings

Enter the control menu and select **DMX Settings**, press ENTER. Use the UP/DOWN button to select **DMX Address**, **Mode 4 ART Addr**, **DMX Channel Mode**, **No DMX Status**, **View DMX Value**, **Connect Option**, **Network**, **Art-Net Settings**, **sACN Settings** or **Network to DMX**.

DMX Address

Select **DMX Address**, press ENTER.

Use UP/DOWN button to select an address, confirm your selection with ENTER.

| CHANNEL MODE | DMX ADDRESS |
|--------------|-------------|
| 58 CH | 1-455 |
| 25 CH | 1-488 |
| 23 CH | 1-490 |
| 35+ CH | 1-478 |
| 27 CH | 1-486 |
| 70 CH | 1-443 |
| 55 CH | 1-458 |

To exit the menu, press MENU, or wait 30 seconds.

Mode 4 ART Addr

Select **Mode 4 ART Addr**, press ENTER.

Use UP/DOWN button to select an address, confirm your selection with ENTER.

| CHANNEL MODE | ADDRESS |
|--------------|---------|
| 35+ CH | 1-493 |

To exit the menu, press MENU, or wait 30 seconds.

DMX Channel Mode

Select **DMX Channel Mode**, press ENTER.

Use UP/DOWN button to select between **58 CH**, **25 CH**, **23 CH**, **35+ CH**, **27 CH**, **70 CH** and **55 CH**, confirm your selection with ENTER.

To exit the menu, press MENU, or wait 30 seconds.

No DMX Status

Select **No DMX Status**, press ENTER.

Use UP/DOWN button to select one of the following status:

Blackout (Fixture blacks out if DMX signal stops)

Hold (The device continues to operate in the current mode with the last active DMX values until the signal returns)

Manual (The device accepts the DMX value stored in the 'Manual Test' menu)

Confirm your selection with ENTER.

To exit the menu, press MENU, or wait 30 seconds.

View DMX Value

Select **View DMX Value**, press ENTER.

Use UP/DOWN button to select the desired DMX channel, for which the value is to be displayed.

To exit the menu, press MENU, or wait 30 seconds.

Connect Option

Select **Connect Option**, press ENTER.

Use UP/DOWN button to select **Auto**, **DMX**, **Art-Net** or **sACN**, confirm your selection with ENTER.

To exit the menu, press MENU, or wait 30 seconds.

Network

Select **Network**, press ENTER.

Use UP/DOWN button to select **IP Address** or **Subnet Mask**, confirm your selection with ENTER.

To exit the menu, press MENU, or wait 30 seconds.

Art-Net Settings

Select **Art-Net Settings**, press ENTER.

Use UP/DOWN button to select **Net**, **Sub-Net** or **Universe**, confirm your selection with ENTER.

To exit the menu, press MENU, or wait 30 seconds.

sACN Settings

Select **sACN Settings**, press ENTER.

Use UP/DOWN button to select **sACN Universe** or **sACN Priority**, confirm your selection with ENTER.

To exit the menu, press MENU, or wait 30 seconds.

Network to DMX

Select **Network to DMX**, press ENTER.

Use UP/DOWN button to select **No** or **Yes**, confirm your selection with ENTER.

To exit the menu, press MENU, or wait 30 seconds.

Fixture Settings

Enter the control menu and select **Fixture Settings**, press ENTER. Use the UP/DOWN button to select **Pan Invert**, **Tilt Invert**, **P/T Feedback**, **Dimmer Curve**, **Dimmer Speed**, **White Balance**, **Invert Pixel Order** or **Line Power Mode**.

Pan Invert

Select **Pan Invert**, press ENTER.

Use UP/DOWN button to select **No** (pan invert deactivated) or **Yes** (pan invert activated), confirm your selection with ENTER.

To exit the menu, press MENU, or wait 30 seconds.

Tilt Invert

Select **Tilt Invert**, press ENTER.

Use UP/DOWN button to select **No** (tilt invert deactivated) or **Yes** (tilt invert activated), confirm your selection with ENTER.

To exit the menu, press MENU, or wait 30 seconds.

P/T Feedback

Select **P/T Feedback**, press ENTER.

Use UP/DOWN button to select **No** (pan/tilt feedback deactivated) or **Yes** (pan/tilt feedback activated), confirm your selection with ENTER.

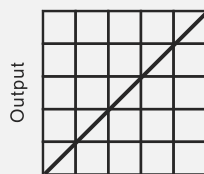
To exit the menu, press MENU, or wait 30 seconds.

Dimmer Curve

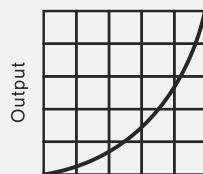
Select **Dimmer Curve**, press ENTER.

Use UP/DOWN button to select **Linear**, **Square Law**, **Inv SQ Law** or **S Curve**, confirm your selection with ENTER.

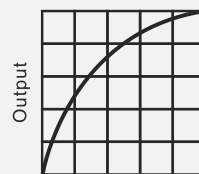
Dimmer Modes



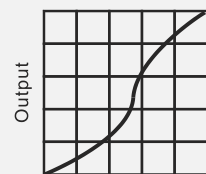
Optically Linear



Square Law



Inverse Square Law



S-curve

To exit the menu, press MENU, or wait 30 seconds.

Dimmer Speed

Select **Dimmer Speed**, press ENTER.

Use UP/DOWN button to select **Fast** or **Smooth**, confirm your selection with ENTER.

To exit the menu, press MENU, or wait 30 seconds.

White Balance

Select **White Balance**, press ENTER.

Use UP/DOWN button to select **Red**, **Green**, **Blue**, **Red 1**, **Green 1**, **Blue 1.....** or **Red 5**, **Green 5**, **Blue 5**, confirm your selection with ENTER.

Use UP/DOWN button to select a value between **125** and **255**, confirm your selection with ENTER.

To exit the menu, press MENU, or wait 30 seconds.

Invert Pixel Order

Select **Invert Pixel Order**, press ENTER.

Use UP/DOWN button to select **Disable** or **Enable**, confirm your selection with ENTER.

To exit the menu, press MENU, or wait 30 seconds.

Line Power Mode

Select **Line Power Mode**, press ENTER.

Use UP/DOWN button to select **Off** or **On**, confirm your selection with ENTER.

To exit the menu, press MENU, or wait 30 seconds.

Display Settings

Enter the control menu and select **Display Settings**, press ENTER. Use the UP/DOWN button to select **Display Invert**, **Backlight Intensity**, **Temperature Unit** or **Language**.

Display Invert

Select **Display Invert**, press ENTER.

Use UP/DOWN button to select **No** (display normal) or **Yes** (display inverted), confirm your selection with ENTER.

To exit the menu, press MENU, or wait 30 seconds.

Backlight Intensity

Select **Backlight Intensity**, press ENTER.

Use UP/DOWN button to select a value between **1** (dark) and **10** (bright), confirm your selection with ENTER.

To exit the menu, press MENU, or wait 30 seconds.

Temperature Unit

Select **Temperature Unit**, press ENTER.

Use UP/DOWN button to select **°C** or **°F**, confirm your selection with ENTER.

To exit the menu, press MENU, or wait 30 seconds.

Language

Select **Language**, press ENTER.

Use UP/DOWN button to select **English** or **Chinese**, confirm your selection with ENTER.

To exit the menu, press MENU, or wait 30 seconds.

Fixture Test

Enter the control menu and select **Fixture Test**, press ENTER. Use the UP/DOWN button to select **Auto Test** or **Manual Test**.

Auto Test

Select **Auto Test**, press ENTER.

Use UP/DOWN button to select **Single** (the device immediately performs a single automatic self-test) or **Cycle** (the device immediately performs a cyclic automatic self-test), confirm your selection with ENTER.

To exit the menu, press MENU.

Manual Test

Select **Manual Test**, press ENTER.

Use UP/DOWN button to select the channel for which the manual test is to be performed, confirm your selection with ENTER.

Use UP/DOWN button to select a value, confirm your selection with ENTER.

To exit the menu, press MENU.

(The device returns to its original DMX state after the manual test. The test values are saved automatically when the device is switched off.)

Fixture Information

Enter the control menu and select **Fixture Information**, press ENTER. Use the UP/DOWN button to select **Fixture Use Hour**, **LED Use Hour**, **Temperature**, **Fan State**, **Firmware Version**, **RDM UID** or **Error Logs**.

Fixture Use Hour

Select **Fixture Use Hour**, press ENTER.
The operating hours is displayed.
To exit the menu, press MENU, or wait 30 seconds.

LED Use Hour

Select **LED Use Hour**, press ENTER.
Use UP/DOWN button to select **Total LED Hour** (total time) or **LED On Hour** (current switch-on time), confirm your selection with ENTER.
The total time or current switch-on time is displayed.
Use UP/DOWN button to select **LED Hours Reset**, confirm your selection with ENTER.
Use UP/DOWN button to set the password 050, confirm your selection with ENTER. The LED operating hours is reset.
To exit the menu, press MENU, or wait 30 seconds.

Temperature

Select **Temperature**, press ENTER.
The device temperature is displayed.
To exit the menu, press MENU, or wait 30 seconds.

Fan State

Select **Fan State**, press ENTER.
The fan status is displayed.
To exit the menu, press MENU, or wait 30 seconds.

Firmware Version

Select **Firmware Version**, press ENTER.
The firmware version is displayed.
To exit the menu, press MENU, or wait 30 seconds.

RDM UID

Select **RDM UID**, press ENTER.
The RDM UID is displayed.
To exit the menu, press MENU, or wait 30 seconds.

Error Logs

Select **Error Logs**, press ENTER.
Use UP/DOWN button to select **Fixture Errors**, confirm your selection with ENTER.
The error list is displayed.
Use UP/DOWN button to select **Reset Error Log**, confirm your selection with ENTER.
If you wish to reset the relevant error logs, select **Yes**. If you do not wish to reset anything, select **No**. Confirm your selection with ENTER.
If you select **Yes**, use UP/DOWN button to set the password 050, confirm your selection with ENTER. The relevant error logs are reset.
To exit the menu, press MENU, or wait 30 seconds.

Reset Function

Enter the control menu and select **Reset Function**, press ENTER. Use the UP/DOWN button to select **Pan/Tilt Reset**, **Effect Reset** or **All Reset**.

Pan/Tilt Reset

Select **Pan/Tilt Reset**, press ENTER.
Use UP/DOWN button to select **No** or **Yes** (the device will run built-in program to reset pan/tilt to their home positions), confirm your selection with ENTER.
To exit the menu, press MENU, or wait 30 seconds.

Effect Reset

Select **Effect Reset**, press ENTER.

Use UP/DOWN button to select **No** or **Yes** (the device will run built-in program to reset effect to their home positions), confirm your selection with ENTER.

To exit the menu, press MENU, or wait 30 seconds.

All Reset

Select **All Reset**, press ENTER.

Use UP/DOWN button to select **No** or **Yes** (the device will run built-in program to reset all to their home positions), confirm your selection with ENTER.

To exit the menu, press MENU, or wait 30 seconds.

Special Function

Enter the control menu and select **Special Function**, press ENTER. Use the UP/DOWN button to select **Factory Restore**.

Factory Restore

Select **Factory Restore**, press ENTER.

If you wish to reset the device to the factory settings, select **Yes**. If you do not wish to reset anything, select **No**. Confirm your selection with ENTER.

To exit the menu, press MENU, or wait 30 seconds.

RDM functions: Certain menus of the device and functions can be called up via the RDM protocol.

The parameter IDs are implemented as follows for different commands:

| Parameter ID | Command 'Discovery' | Command 'Set' | Command 'Get' |
|-----------------------------|---------------------|---------------|---------------|
| DISC_UNIQUE_BRANCH | ✓ | | |
| DISC_MUTE | ✓ | | |
| DISC_UN_MUTE | ✓ | | |
| DEVICE_INFO | | | ✓ |
| SUPPORTED_PARAMETERS | | | ✓ |
| SOFTWARE_VERSION_LABEL | | | ✓ |
| DMX_START_ADDRESS | | ✓ | ✓ |
| IDENTIFY_DEVICE | | ✓ | ✓ |
| DEVICE_MODEL_DESCRIPTION | | | ✓ |
| PARAMETER_DESCRIPTION | | | ✓ |
| MANUFACTURER_LABEL | | | ✓ |
| DEVICE_LABEL | | ✓ | ✓ |
| FACTORY_DEFAULTS | | ✓ | ✓ |
| BOOT_SOFTWARE_VERSION_ID | | | ✓ |
| BOOT_SOFTWARE_VERSION_LABEL | | | ✓ |
| DMX_PERSONALITY | | ✓ | ✓ |
| DMX_PERSONALITY_DESCRIPTION | | | ✓ |
| SLOT_INFO | | | ✓ |
| SLOT_DESCRIPTION | | | ✓ |
| SENSOR_DEFINITION | | | ✓ |
| SENSOR_VALUE | | | ✓ |
| DEVICE_HOURS | | | ✓ |
| PAN_INVERT | | ✓ | ✓ |
| TILT_INVERT | | ✓ | ✓ |
| RESET_DEVICE | | ✓ | |

✓ -Command implemented for the respective parameter ID

5.2 Home Position Adjustment

- ▶ To access the control menus, press the [MENU] button.
- ▶ To access the offset menus, long-press the [ENTER] button.
- ▶ Navigate the offset menus, using the [ENTER], [▲ UP] and [▼ DOWN] buttons.
- ▶ To select a menu option or to confirm a selection, press the [ENTER] button.
- ▶ To return to a higher level in the menu structure without making a change, press the [MENU] button, or wait 30 seconds.

| OFFSET MENU | VALUES |
|---------------|-------------|
| Frequency(Hz) | 19872~20127 |
| Pan | -128~127 |
| Tilt | -128~127 |
| Zoom | -128~127 |
| Red 1 | 0~255 |
| Green 1 | 0~255 |
| Blue 1 | 0~255 |
| White 1 | 0~255 |
| | |
| Red 5 | 0~255 |
| Green 5 | 0~255 |
| Blue 5 | 0~255 |
| White 5 | 0~255 |
| LED White 1 | 0~255 |
| | |
| LED White 18 | 0~255 |

Frequency(Hz)

Select **Frequency(Hz)**, press ENTER.

Use UP/DOWN button to select a value between 19872 and 20127, confirm your selection with ENTER.

To exit the offset menu, press MENU, or wait 30 seconds.

Pan

Select **Pan**, press ENTER.

Use UP/DOWN button to select a value between -128 and 127, confirm your selection with ENTER.

To exit the offset menu, press MENU, or wait 30 seconds.

Tilt

Select **Tilt**, press ENTER.

Use UP/DOWN button to select a value between -128 and 127, confirm your selection with ENTER.

To exit the offset menu, press MENU, or wait 30 seconds.

Zoom

Select **Zoom**, press ENTER.

Use UP/DOWN button to select a value between -128 and 127, confirm your selection with ENTER.

To exit the offset menu, press MENU, or wait 30 seconds.

Red 1

Select **Red 1**, press ENTER.

Use UP/DOWN button to select a value between 0 and 255, confirm your selection with ENTER.

To exit the offset menu, press MENU, or wait 30 seconds.

Green 1

Select **Green 1**, press ENTER.

Use UP/DOWN button to select a value between 0 and 255, confirm your selection with ENTER.

To exit the offset menu, press MENU, or wait 30 seconds.

Blue 1

Select **Blue 1**, press ENTER.

Use UP/DOWN button to select a value between 0 and 255, confirm your selection with ENTER.

To exit the offset menu, press MENU, or wait 30 seconds.

White 1

Select **White 1**, press ENTER.

Use UP/DOWN button to select a value between 0 and 255, confirm your selection with ENTER.

To exit the offset menu, press MENU, or wait 30 seconds.

.....

Red 5

Select **Red 5**, press ENTER.

Use UP/DOWN button to select a value between 0 and 255, confirm your selection with ENTER.

To exit the offset menu, press MENU, or wait 30 seconds.

Green 5

Select **Green 5**, press ENTER.

Use UP/DOWN button to select a value between 0 and 255, confirm your selection with ENTER.

To exit the offset menu, press MENU, or wait 30 seconds.

Blue 5

Select **Blue 5**, press ENTER.

Use UP/DOWN button to select a value between 0 and 255, confirm your selection with ENTER.

To exit the offset menu, press MENU, or wait 30 seconds.

White 5

Select **White 5**, press ENTER.

Use UP/DOWN button to select a value between 0 and 255, confirm your selection with ENTER.

To exit the offset menu, press MENU, or wait 30 seconds.

LED White 1

Select **LED White 1**, press ENTER.

Use UP/DOWN button to select a value between 0 and 255, confirm your selection with ENTER.

To exit the offset menu, press MENU, or wait 30 seconds.

.....

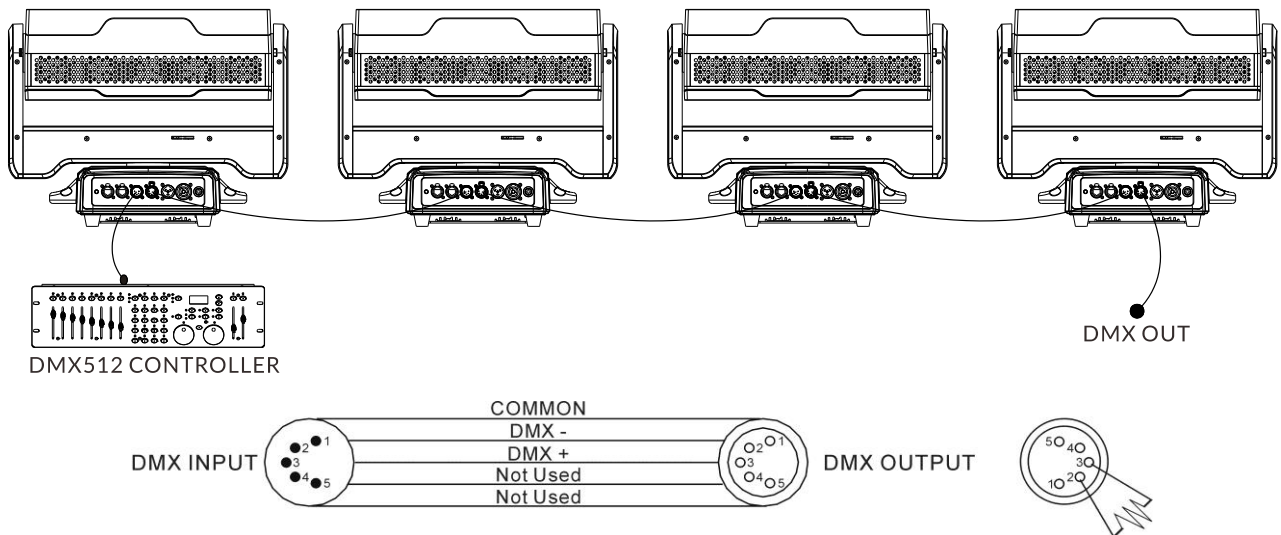
LED White 18

Select **LED White 18**, press ENTER.

Use UP/DOWN button to select a value between 0 and 255, confirm your selection with ENTER.

To exit the offset menu, press MENU, or wait 30 seconds.

6.1 DMX512 Connection



1. At last unit, the DMX cable has to be terminated with a terminator. Solder a 120-ohm 1/4W resistor between pin 2(DMX-) and pin 3(DMX+) into a 3-pin XLR-plug and plug it in the DMX-output of the last unit.
2. Connect the unit together in a “daisy chain” by XLR plug cable from the output of the unit to the input of the next unit. The cable can only be used in series and cannot be connected in parallel. DMX 512 is a very high-speed signal. Inadequate or damaged cables, soldered joints or corroded connectors can easily distort the signal and shut down the system.
3. The DMX output and input connectors are pass-through to maintain the DMX circuit, when one of the units' power is disconnected.
4. Each lighting unit needs to have a DMX address to receive the data by the controller. The address number is between 1-512.
5. The end of the DMX 512 system should be terminated to reduce signal errors.
6. When wiring 3 pin XLR connectors: Pin 1: GND, Pin 2: Negative signal (-), Pin 3: Positive signal (+). When wiring 5 pin XLR connectors: Pin 1: GND, Pin 2: Negative signal (-), Pin 3: Positive signal (+), Pin4, Pin5 not used.

6.2 Address Setting

If you use a universal DMX controller to control the units, you have to set DMX address between 1 and 512 so that the units can receive DMX signal.

Press the MENU button to access the control menus, select DMX Settings, press the ENTER button to confirm. Use the UP/DOWN button to select DMX Address, press the ENTER button to confirm, the present address will show on the display. Use the UP/DOWN button to adjust the address between 001 and 512, press the ENTER button to store. To exit the menu, press MENU, or wait 30 seconds.

Please refer to the following diagram to address your DMX512 channel for the first 4 units.

| Channel Mode | Unit 1 Address | Unit 2 Address | Unit 3 Address | Unit 4 Address |
|---|----------------|----------------|----------------|----------------|
| 58 channels | 1 | 59 | 117 | 175 |
| 25 channels | 1 | 26 | 51 | 76 |
| 23 channels | 1 | 24 | 47 | 70 |
| 35+ channels (Controlled by DMX) | 1 | 36 | 71 | 106 |
| 35+ channels (Controlled by Art-Net) | 1 | 21 | 41 | 61 |
| 27 channels | 1 | 28 | 55 | 82 |
| 70 channels | 1 | 71 | 141 | 211 |
| 55 channels | 1 | 56 | 111 | 166 |

6.3 DMX512 Configuration

Please control the fixture by referring to the configurations below.

Attentions:

- ▶ The unit will maintain the last condition until reset if you cut-off the DMX signal.
- ▶ For the channel Function, keep the value for about 3 seconds, then the corresponding function will take into effect.

58/25/23/27/70/55 Channels:

| CHANNEL | | | | | | VALUE | FUNCTION |
|---------|------|------|------|------|------|--|---|
| 58ch | 25ch | 23ch | 27ch | 70ch | 55ch | | |
| 1 | 1 | 1 | 1 | 1 | 1 | 000-255 | PAN 0°→540° |
| 2 | 2 | 2 | 2 | 2 | 2 | 000-255 | PAN FINE |
| 3 | 3 | 3 | 3 | 3 | 3 | 000-255 | TILT 0°→450° |
| 4 | 4 | 4 | 4 | 4 | 4 | 000-255 | TILT FINE |
| 5 | 5 | 5 | 5 | 5 | 5 | 000-127 128-189 190-193 194-255 | PAN INFINITY Null CCW Rotation, Fast to Slow Stop CW Rotation, Slow to Fast |
| 6 | 6 | 6 | 6 | 6 | 6 | 000-127 128-189 190-193 194-255 | TILT INFINITY Null CW Rotation, Fast to Slow Stop CCW Rotation, Slow to Fast |
| 7 | 7 | 7 | 7 | 7 | 7 | 000-255 | PAN/TILT SPEED Fast to Slow |
| | 8 | 8 | 8 | | | 000-255 | RED ALL 0%→100% |
| | 9 | 9 | 9 | | | 000-255 | GREEN ALL 0%→100% |
| | 10 | 10 | 10 | | | 000-255 | BLUE ALL 0%→100% |
| | 11 | 11 | 11 | | | 000-255 | WHITE ALL 0%→100% |
| 8 | | | | 8 | 8 | 000-255 | RED 1 0%→100% |
| 9 | | | | 9 | 9 | 000-255 | GREEN 1 0%→100% |
| 10 | | | | 10 | 10 | 000-255 | BLUE 1 0%→100% |
| 11 | | | | 11 | 11 | 000-255 | WHITE 1 0%→100% |
| | | | | 12 | | 000-007 008-015 016-131 132-139 140-181 182-189 190-231 232-239 240-247 248-255 | STROBE 1 Close Open Strobe from Slow to Fast Open Slow Open Fast Close from Slow to Fast Open Fast Open Slow Close from Slow to Fast Open Random Strobe from Slow to Fast Open |

| | | | | | | | |
|----|--|--|--|----|----|--|---|
| | | | | 13 | | 000-255 | DIMMER 1 0%→100% |
| | | | | 14 | | 000-255 | DIMMER FINE 1 |
| 12 | | | | 15 | 12 | 000-255 | RED 2 0%→100% |
| 13 | | | | 16 | 13 | 000-255 | GREEN 2 0%→100% |
| 14 | | | | 17 | 14 | 000-255 | BLUE 2 0%→100% |
| 15 | | | | 18 | 15 | 000-255 | WHITE 2 0%→100% |
| | | | | 19 | | 000-007 008-015 016-131 132-139 140-181 182-189 190-231 232-239 240-247 248-255 | STROBE 2 Close Open Strobe from Slow to Fast Open Slow Open Fast Close from Slow to Fast Open Fast Open Slow Close from Slow to Fast Open Random Strobe from Slow to Fast Open |
| | | | | 20 | | 000-255 | DIMMER 2 0%→100% |
| | | | | 21 | | 000-255 | DIMMER FINE 2 |
| 16 | | | | 22 | 16 | 000-255 | RED 3 0%→100% |
| 17 | | | | 23 | 17 | 000-255 | GREEN 3 0%→100% |
| 18 | | | | 24 | 18 | 000-255 | BLUE 3 0%→100% |
| 19 | | | | 25 | 19 | 000-255 | WHITE 3 0%→100% |
| | | | | 26 | | 000-007 008-015 016-131 132-139 140-181 182-189 190-231 232-239 240-247 248-255 | STROBE 3 Close Open Strobe from Slow to Fast Open Slow Open Fast Close from Slow to Fast Open Fast Open Slow Close from Slow to Fast Open Random Strobe from Slow to Fast Open |
| | | | | 27 | | 000-255 | DIMMER 3 0%→100% |
| | | | | 28 | | 000-255 | DIMMER FINE 3 |
| 20 | | | | 29 | 20 | 000-255 | RED 4 0%→100% |

| | | | | | | | |
|----|--|--|--|----|----|--|---|
| 21 | | | | 30 | 21 | 000-255 | GREEN 4 0%→100% |
| 22 | | | | 31 | 22 | 000-255 | BLUE 4 0%→100% |
| 23 | | | | 32 | 23 | 000-255 | WHITE 4 0%→100% |
| | | | | 33 | | 000-007 008-015 016-131 132-139 140-181 182-189 190-231 232-239 240-247 248-255 | STROBE 4 Close Open Strobe from Slow to Fast Open Slow Open Fast Close from Slow to Fast Open Fast Open Slow Close from Slow to Fast Open Random Strobe from Slow to Fast Open |
| | | | | 34 | | 000-255 | DIMMER 4 0%→100% |
| | | | | 35 | | 000-255 | DIMMER FINE 4 |
| 24 | | | | 36 | 24 | 000-255 | RED 5 0%→100% |
| 25 | | | | 37 | 25 | 000-255 | GREEN 5 0%→100% |
| 26 | | | | 38 | 26 | 000-255 | BLUE 5 0%→100% |
| 27 | | | | 39 | 27 | 000-255 | WHITE 5 0%→100% |
| | | | | 40 | | 000-007 008-015 016-131 132-139 140-181 182-189 190-231 232-239 240-247 248-255 | STROBE 5 Close Open Strobe from Slow to Fast Open Slow Open Fast Close from Slow to Fast Open Fast Open Slow Close from Slow to Fast Open Random Strobe from Slow to Fast Open |
| | | | | 41 | | 000-255 | DIMMER 5 0%→100% |
| | | | | 42 | | 000-255 | DIMMER FINE 5 |
| 28 | | | | 43 | 28 | 000-255 | LED WHITE 1 0%→100% |
| 29 | | | | 44 | 29 | 000-255 | LED WHITE 2 0%→100% |
| 30 | | | | 45 | 30 | 000-255 | LED WHITE 3 0%→100% |
| 31 | | | | 46 | 31 | 000-255 | LED WHITE 4 0%→100% |

| | | | | | | | |
|----|----|----|----|----|----|---|--|
| 32 | | | | 47 | 32 | 000-255 | LED WHITE 5 0%→100% |
| 33 | | | | 48 | 33 | 000-255 | LED WHITE 6 0%→100% |
| 34 | | | | 49 | 34 | 000-255 | LED WHITE 7 0%→100% |
| 35 | | | | 50 | 35 | 000-255 | LED WHITE 8 0%→100% |
| 36 | | | | 51 | 36 | 000-255 | LED WHITE 9 0%→100% |
| 37 | | | | 52 | 37 | 000-255 | LED WHITE 10 0%→100% |
| 38 | | | | 53 | 38 | 000-255 | LED WHITE 11 0%→100% |
| 39 | | | | 54 | 39 | 000-255 | LED WHITE 12 0%→100% |
| 40 | | | | 55 | 40 | 000-255 | LED WHITE 13 0%→100% |
| 41 | | | | 56 | 41 | 000-255 | LED WHITE 14 0%→100% |
| 42 | | | | 57 | 42 | 000-255 | LED WHITE 15 0%→100% |
| 43 | | | | 58 | 43 | 000-255 | LED WHITE 16 0%→100% |
| 44 | | | | 59 | 44 | 000-255 | LED WHITE 17 0%→100% |
| 45 | | | | 60 | 45 | 000-255 | LED WHITE 18 0%→100% |
| | 12 | 12 | 12 | | | 000 001-004 005-009 010-013 014-018 019-022 023-027 028-031 032-036 037-040 041-045 046-049 050-054 055-058 059-063 064-067 068-072 073-076 077-081 082-085 086-090 091-094 095-099 | CTO(8000K-2500K) Null 8000K 7900K 7800K 7700K 7600K 7500K 7400K 7300K 7200K 7100K 7000K 6900K 6800K 6700K 6600K 6500K 6400K 6300K 6200K 6100K 6000K 5900K |

| | | | | | | | |
|--|--|--|--|--|--|---------|---------------------------|
| | | | | | | 100-103 | 5800K |
| | | | | | | 104-108 | 5700K |
| | | | | | | 109-112 | 5600K |
| | | | | | | 113-117 | 5500K |
| | | | | | | 118-121 | 5400K |
| | | | | | | 122-126 | 5300K |
| | | | | | | 127-130 | 5200K |
| | | | | | | 131-135 | 5100K |
| | | | | | | 136-139 | 5000K |
| | | | | | | 140-144 | 4900K |
| | | | | | | 145-148 | 4800K |
| | | | | | | 149-153 | 4700K |
| | | | | | | 154-157 | 4600K |
| | | | | | | 158-162 | 4500K |
| | | | | | | 163-166 | 4400K |
| | | | | | | 167-171 | 4300K |
| | | | | | | 172-175 | 4200K |
| | | | | | | 176-180 | 4100K |
| | | | | | | 181-184 | 4000K |
| | | | | | | 185-189 | 3900K |
| | | | | | | 190-193 | 3800K |
| | | | | | | 194-198 | 3700K |
| | | | | | | 199-202 | 3600K |
| | | | | | | 203-207 | 3500K |
| | | | | | | 208-211 | 3400K |
| | | | | | | 212-216 | 3300K |
| | | | | | | 217-220 | 3200K |
| | | | | | | 221-225 | 3100K |
| | | | | | | 226-229 | 3000K |
| | | | | | | 230-234 | 2900K |
| | | | | | | 235-238 | 2800K |
| | | | | | | 239-243 | 2700K |
| | | | | | | 244-247 | 2600K |
| | | | | | | 248-255 | 2500K |
| | | | | | | | COLOR MACRO |
| | | | | | | 000-009 | Open |
| | | | | | | 010-014 | LEE 790-Moroccan Pink |
| | | | | | | 015-019 | LEE 157-Pink |
| | | | | | | 020-024 | LEE 332-Special Rose Pink |
| | | | | | | 025-029 | LEE 328-Follies Pink |
| | | | | | | 030-034 | LEE 345-Fuchsia Pink |
| | | | | | | 035-039 | LEE 194-Surprise Pink |
| | | | | | | 040-044 | LEE 181-Congo Blue |
| | | | | | | 045-049 | LEE 071-Tokyo Blue |
| | | | | | | 050-054 | LEE 120-Deep Blue |
| | | | | | | 055-059 | LEE 079-Just Blue |
| | | | | | | 060-064 | LEE 132-Medium Blue |
| | | | | | | 065-069 | LEE 200-Double CT Blue |
| | | | | | | 070-074 | LEE 161-State Blue |
| | | | | | | 075-079 | LEE 201-Full CT Blue |
| | | | | | | 080-084 | LEE 202-Half CT Blue |
| | | | | | | 085-089 | LEE 117-Steel Blue |
| | | | | | | 090-094 | LEE 353-Lighter Blue |
| | | | | | | 095-099 | LEE 118-Light Blue |

| | | | | | | |
|----|----|--|----|----|--|---|
| | | | | | | 100-104 LEE 116-Medium Blue Green 105-109 LEE 124-Dark Green 110-114 LEE 139-Primary Green 115-119 LEE 089-Moss Green 120-124 LEE 122-Fern Green 125-129 LEE 738-JAS Green 130-134 LEE 088-Lime Green 135-139 LEE 100-Spring Yellow 140-144 LEE 104-Deep Amber 145-149 LEE 179-Chrome Orange 150-154 LEE 105-Orange 155-159 LEE 021-Gold Amber 160-164 LEE 778-Millennium Gold 165-169 LEE 135-Deep Gold Amber 170-174 LEE 164-Flame Red 175-179 Open 180-201 CW Rotation, Fast to Slow 202-207 Stop 208-229 CCW Rotation, Slow to Fast 230-234 Open 235-239 Random Color: Fast 240-244 Random Color: Medium 245-249 Random Color: Slow 250-255 Open |
| 46 | 14 | | 14 | 61 | | PIXEL EFFECT SELECT 000-004 Open 005-009 LED1 010-014 LED2 015-019 LED3 020-024 LED4 025-029 LED5 030-034 LED1+2 035-039 LED2+3 040-044 LED3+4 045-049 LED4+5 050-054 LED1+3 055-059 LED2+4 060-064 LED3+5 065-069 LED1+4 070-074 LED2+5 075-079 LED1+2+5 080-084 LED1+2+4 085-089 LED1+2+3 090-094 LED2+3+4 095-099 LED3+4+5 100-104 LED1+4+5 105-109 LED1+2+5 110-114 LED1+2+4+5 115-119 LED1+2+3+4 120-124 LED2+3+4+5 125-129 LED1+3+4+5 130-134 LED1+2+3+4+5 135-139 Built-in Mode 1 140-144 Built-in Mode 2 |

| | | | | | | | |
|----|----|--|----|----|--|---|---|
| | | | | | | 145-149 150-154 155-159 160-164 165-169 170-174 175-179 180-184 185-189 190-194 195-199 200-204 205-209 210-214 215-219 220-224 225-229 230-234 235-239 240-244 245-255 | Built-in Mode 3 Built-in Mode 4 Built-in Mode 5 Built-in Mode 6 Built-in Mode 7 Built-in Mode 8 Built-in Mode 9 Built-in Mode 10 Built-in Mode 11 Built-in Mode 12 Built-in Mode 13 Built-in Mode 14 Built-in Mode 15 Built-in Mode 16 Built-in Mode 17 Built-in Mode 18 Built-in Mode 19 Built-in Mode 20 Randomly Light Up a Pixel Randomly Light Up two Pixels Null |
| 47 | 15 | | 15 | 62 | | 000-127 128-189 190-193 194-255 | PIXEL EFFECT SPEED Null Fast to Slow Stop Slow to Fast |
| 48 | | | | 63 | | 000-009 010-014 015-019 020-024 025-029 030-034 035-039 040-044 045-049 050-054 055-059 060-064 065-069 070-074 075-079 080-084 085-089 090-094 095-099 100-104 105-109 110-114 115-119 120-124 125-129 130-134 135-139 | BACKGROUND COLOR Open LEE 790-Moroccan Pink LEE 157-Pink LEE 332-Special Rose Pink LEE 328-Follies Pink LEE 345-Fuchsia Pink LEE 194-Surprise Pink LEE 181-Congo Blue LEE 071-Tokyo Blue LEE 120-Deep Blue LEE 079-Just Blue LEE 132-Medium Blue LEE 200-Double CT Blue LEE 161-State Blue LEE 201-Full CT Blue LEE 202-Half CT Blue LEE 117-Steel Blue LEE 353-Lighter Blue LEE 118-Light Blue LEE 116-Medium Blue Green LEE 124-Dark Green LEE 139-Primary Green LEE 089-Moss Green LEE 122-Fern Green LEE 738-JAS Green LEE 088-Lime Green LEE 100-Spring Yellow |

| | | | | | | | |
|----|----|----|----|----|----|--|---|
| | | | | | | 140-144 145-149 150-154 155-159 160-164 165-169 170-174 175-179 180-201 202-207 208-229 230-234 235-239 240-244 245-249 250-255 | LEE 104-Deep Amber LEE 179-Chrome Orange LEE 105-Orange LEE 021-Gold Amber LEE 778-Millennium Gold LEE 135-Deep Gold Amber LEE 164-Flame Red Open CW Rotation, Fast to Slow Stop CCW Rotation, Slow to Fast Open Random Color: Fast Random Color: Medium Random Color: Slow Open |
| 49 | 16 | 19 | 16 | 64 | 46 | 000-005 006-255 | INTENSITY Blackout Flash Intensity, minimum to maximum |
| 50 | 17 | 20 | 17 | 65 | 47 | 000-255 | DURATION Flash Duration, minimum to maximum |
| 51 | 18 | 21 | 18 | 66 | 48 | 000-005 006-255 | RATE No Flash Flash Rate, Slow to Fast |
| 52 | 19 | 22 | | 67 | 49 | 000-005 006-050 051-100 101-150 151-200 201-255 | EFFECTS Null Ramp Up Ramp Down Ramp Up-Down Lightning Random |
| | | | 19 | | | 000-005 006-050 051-100 101-150 151-200 201-255 | EFFECTS 1 Null Ramp Up Ramp Down Ramp Up-Down Lightning Random |
| | | | 20 | | | 000-004 005-009 010-014 015-019 020-024 025-029 030-034 035-039 040-044 045-049 050-054 055-059 060-064 065-069 | EFFECTS 2 Null Show 1 Show 2 Show 3 Show 4 Show 5 Show 6 Show 7 Show 8 Show 9 Show 10 Show 11 Show 12 Show 13 |

| | | | | | | | |
|----|----|----|----|----|----|--|--|
| | | | | | | 070-074 075-079 080-084 085-089 090-094 095-099 100-104 105-109 110-114 115-119 120-124 125-129 130-134 135-139 140-144 145-149 150-154 155-159 160-164 165-169 170-174 175-179 180-184 185-189 190-194 195-199 200-204 205-209 210-214 215-219 220-224 225-229 230-234 235-239 240-244 245-255 | Show 14 Show 15 Show 16 Show 17 Show 18 Show 19 Show 20 Show 21 Show 22 Show 23 Show 24 Show 25 Show 26 Show 27 Show 28 Show 29 Show 30 Show 31 Show 32 Show 33 Show 34 Show 35 Show 36 Show 37 Show 38 Show 39 Show 40 Show 41 Show 42 Show 43 Show 44 Show 45 Show 46 Randomly Light Up a Pixel Randomly Light Up two Pixels Null |
| | | | 21 | | | 000-127 128-189 190-193 194-255 | EFFECTS 2 SPEED Null Fast to Slow Stop Slow to Fast |
| 53 | 20 | 14 | 22 | 68 | 50 | 000-255 | ZOOM Wide→Narrow |
| 54 | 21 | 15 | 23 | 69 | 51 | 000-255 | ZOOM FINE |
| 55 | 22 | 16 | 24 | | 52 | 000-007 008-015 016-131 132-139 140-181 182-189 190-231 232-239 | STROBE Close Open Strobe from Slow to Fast Open Slow Open Fast Close from Slow to Fast Open Fast Open Slow Close from Slow to Fast Open |

| | | | | | | | |
|----|----|----|----|----|----|--|---|
| | | | | | | 240-247 248-255 | Random Strobe from Slow to Fast Open |
| 56 | 23 | 17 | 25 | | 53 | 000-255 | DIMMER 0%→100% |
| 57 | 24 | 18 | 26 | | 54 | 000-255 | DIMMER FINE |
| 58 | 25 | 23 | 27 | 70 | 55 | 000-029 030-039 040-049 050-059 060-069 070-079 080-089 090-099 100-109 110-119 120-139 140-149 150-159 160-199 200-209 210-219 220-229 230-255 | FUNCTION Null Dimmer Curve Linear Dimmer Curve Square Law Dimmer Curve Inv SQ Law Dimmer Curve S Line Power Mode: Off Line Power Mode: On Null Led Frequency Setting Enable Led Frequency Setting Disable Null Pan/Tilt Reset Effect Reset Null Reset All Dimmer Speed: Fast Dimmer Speed: Smooth Null |

35+ Channels:

| CHANNEL | VALUE | FUNCTION |
|--------------------------|--|---|
| Controlled by DMX | | |
| 1 | 000-255 | PAN 0°→540° |
| 2 | 000-255 | PAN FINE |
| 3 | 000-255 | TILT 0°→450° |
| 4 | 000-255 | TILT FINE |
| 5 | 000-127 128-189 190-193 194-255 | PAN INFINITY Null CCW Rotation, Fast to Slow Stop CW Rotation, Slow to Fast |
| 6 | 000-127 128-189 190-193 194-255 | TILT INFINITY Null CW Rotation, Fast to Slow Stop CCW Rotation, Slow to Fast |
| 7 | 000-255 | PAN/TILT SPEED Fast to Slow |
| 8 | | LED WHITE 1 |

| | | |
|----|--|---|
| | 000-255 | 0%→100% |
| 9 | 000-255 | LED WHITE 2 0%→100% |
| 10 | 000-255 | LED WHITE 3 0%→100% |
| 11 | 000-255 | LED WHITE 4 0%→100% |
| 12 | 000-255 | LED WHITE 5 0%→100% |
| 13 | 000-255 | LED WHITE 6 0%→100% |
| 14 | 000-255 | LED WHITE 7 0%→100% |
| 15 | 000-255 | LED WHITE 8 0%→100% |
| 16 | 000-255 | LED WHITE 9 0%→100% |
| 17 | 000-255 | LED WHITE 10 0%→100% |
| 18 | 000-255 | LED WHITE 11 0%→100% |
| 19 | 000-255 | LED WHITE 12 0%→100% |
| 20 | 000-255 | LED WHITE 13 0%→100% |
| 21 | 000-255 | LED WHITE 14 0%→100% |
| 22 | 000-255 | LED WHITE 15 0%→100% |
| 23 | 000-255 | LED WHITE 16 0%→100% |
| 24 | 000-255 | LED WHITE 17 0%→100% |
| 25 | 000-255 | LED WHITE 18 0%→100% |
| 26 | 000-005 006-255 | INTENSITY Blackout Flash Intensity, minimum to maximum |
| 27 | 000-255 | DURATION Flash Duration, minimum to maximum |
| 28 | 000-005 006-255 | RATE No Flash Flash Rate, Slow to Fast |
| 29 | 000-005 006-050 051-100 101-150 151-200 201-255 | EFFECTS Null Ramp Up Ramp Down Ramp Up-Down Lightning Random |

| | | |
|------------------------------|--|---|
| 30 | 000-255 | ZOOM Wide→Narrow |
| 31 | 000-255 | ZOOM FINE |
| 32 | 000-007 008-015 016-131 132-139 140-181 182-189 190-231 232-239 240-247 248-255 | STROBE Close Open Strobe from Slow to Fast Open Slow Open Fast Close from Slow to Fast Open Fast Open Slow Close from Slow to Fast Open Random Strobe from Slow to Fast Open |
| 33 | 000-255 | DIMMER 0%→100% |
| 34 | 000-255 | DIMMER FINE |
| 35 | 000-029 030-039 040-049 050-059 060-069 070-079 080-089 090-099 100-109 110-119 120-139 140-149 150-159 160-199 200-209 210-219 220-229 230-255 | FUNCTION Null Dimmer Curve Linear Dimmer Curve Square Law Dimmer Curve Inv SQ Law Dimmer Curve S Line Power Mode: Off Line Power Mode: On Null Led Frequency Setting Enable Led Frequency Setting Disable Null Pan/Tilt Reset Effect Reset Null Reset All Dimmer Speed: Fast Dimmer Speed: Smooth Null |
| Controlled by Art-Net | | |
| 1 | 000-255 | RED 1 0%→100% |
| 2 | 000-255 | GREEN 1 0%→100% |
| 3 | 000-255 | BLUE 1 0%→100% |
| 4 | 000-255 | WHITE 1 0%→100% |
| 5 | 000-255 | RED 2 0%→100% |
| 6 | 000-255 | GREEN 2 0%→100% |
| 7 | | BLUE 2 |

| | | |
|----|---------|---------------------------|
| | 000-255 | 0%→100% |
| 8 | 000-255 | WHITE 2 0%→100% |
| 9 | 000-255 | RED 3 0%→100% |
| 10 | 000-255 | GREEN 3 0%→100% |
| 11 | 000-255 | BLUE 3 0%→100% |
| 12 | 000-255 | WHITE 3 0%→100% |
| 13 | 000-255 | RED 4 0%→100% |
| 14 | 000-255 | GREEN 4 0%→100% |
| 15 | 000-255 | BLUE 4 0%→100% |
| 16 | 000-255 | WHITE 4 0%→100% |
| 17 | 000-255 | RED 5 0%→100% |
| 18 | 000-255 | GREEN 5 0%→100% |
| 19 | 000-255 | BLUE 5 0%→100% |
| 20 | 000-255 | WHITE 5 0%→100% |

07/ Error Information

Error codes are shown continuously in the display when the fixture fails and they will not disappear until the fixture is repaired.

CPU-B/C/D Error

Check whether the 485 (DATA) leads on the PCB board are installed in place or disconnected.

Check whether the related 485 (DATA) signal circuit on the PCB board is damaged.

Pan Reset Error

Check whether the position of the pan where the magnet is installed falls off or is damaged.

Check whether there are obstacles in the pan operating range.

Check whether the Hall element on the pan is damaged.

Check whether the lead connecting the Hall element on the pan and the PCB board is in poor contact or disconnected.

Check whether the motor on the pan is damaged.

Check whether the related circuit of the motor drive board on the pan is damaged.

Pan Encode Error

Check whether the encoder on the pan is damaged.

Check whether the lead connecting the encoder on the pan and the PCB board is in poor contact or disconnected.

Tilt Reset Error

Check whether the position of the tilt where the magnet is installed falls off or is damaged.

Check whether there are obstacles in the tilt operating range.

Check whether the Hall element on the tilt is damaged.

Check whether the lead connecting the Hall element on the tilt and the PCB board is in poor contact or disconnected.

Check whether the motor on the tilt is damaged.

Check whether the related circuit of the motor drive board on the tilt is damage.

Tilt Encode Error

Check whether the encoder on the tilt is damaged.

Check whether the lead connecting the encoder on the tilt and the PCB board is in poor contact or disconnected.

Zoom Error

Check whether the position of the zoom where the magnet is installed falls off or is damaged.

Check whether there are obstacles in the zoom operating range.

Check whether the Hall element on the zoom is damaged.

Check whether the lead connecting the Hall element on the zoom and the PCB board is in poor contact or disconnected.

Check whether the motor on the zoom is damaged.

Check whether the related circuit of the motor drive board on the zoom is damage.

LED Temp. 1/2 Error

Check whether the temperature detecting board is normal.
Check whether the components of the temperature detecting board are damaged.
Check whether the lead on the temperature detecting board is installed in place or disconnected.

LED Timeout Use

LED Too Hot Off

When the fixture temperature of beam mode reaches 75°C, it will automatically turn off to protect the fixture.
When the fixture temperature of strobe mode reaches 100°C, it will automatically turn off to protect the fixture.

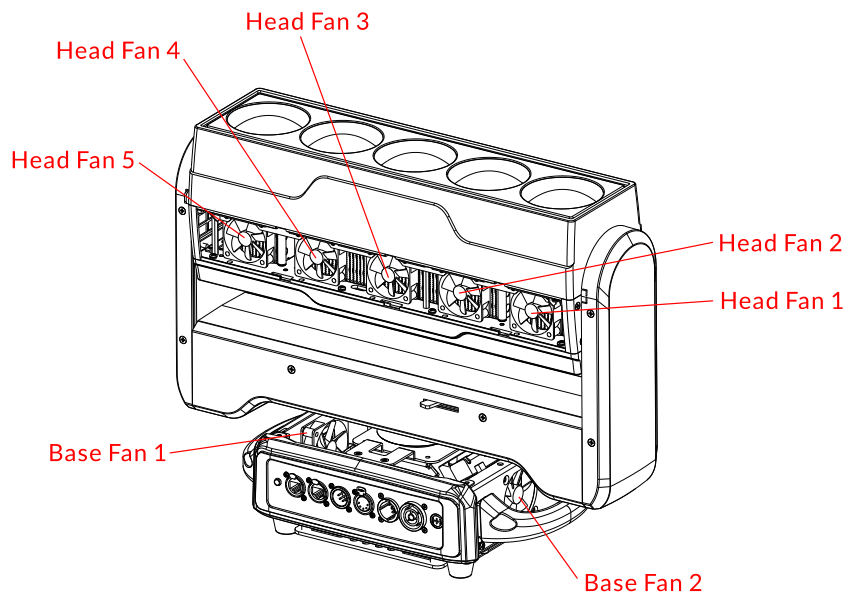
Base Fan1/2 Start Error

Check whether the fan is not running.
Check whether the fan leads are installed in place or disconnected.
Check whether the fan is damaged.
Check whether there are obstacles in the fan operating range.

Head Fan 1/2/3/4/5 Start Error

Check whether the fan is not running.
Check whether the fan leads are installed in place or disconnected.
Check whether the fan is damaged.
Check whether there are obstacles in the fan operating range.

Position of cooling fans:



08/ Troubleshooting

Following are a few common problems that may occur during operation. Here are some suggestions for troubleshooting:

A. The unit does not work, no light and the fan does not work

- ▶ Check the connected power.
- ▶ Measure the voltage.
- ▶ Check the power indicator to see whether it can be lit up or not.

B. Not responding to the DMX controller

- ▶ Check whether the DMX connectors and the DMX cables are connected correctly.
- ▶ Check whether the DMX address is correctly set.
- ▶ If the intermittent DMX signal problem occurs, check whether the XLR socket and the signal cable are well connected.
- ▶ Try it with another DMX controller.
- ▶ Check whether the DMX cables run near or alongside to the high-voltage cables, which may damage or interfere with the signal circuit.

C. One of the channels is not working well

- ▶ The stepper motor might be damaged or the cable connected to the PCB might be broken.
- ▶ The motor's drive IC on the PCB might be out of condition.

09/ Fixture Cleaning

It is absolutely essential that the fixture is kept clean to ensure the maximum light-output and allow the fixture to function reliably throughout its life. The fixture must be cleaned regularly to avoid dust, dirt and smoke-fluid residues building up on or within the fixture. The cleaning frequency depends on the application environment. Clean the fixture immediately if the dust enters it to avoid damage to the optical lens due to excessive dust.

- ▶ A soft lint-free cloth moistened with any good glass cleaning fluid is recommended, under no circumstances should solvents be used.
- ▶ Always dry the parts carefully.
- ▶ Clean the external optical lens at least every 20 days.

Declaration of Conformity

We declare that our products (lighting equipments) comply with the following specification and bears CE mark in accordance with the provision of the Electromagnetic Compatibility (EMC) Directive 2014/30/EU.

EN 55032: 2015+A11: 2020; EN IEC 61000-3-2: 2019;
EN 61000-3-3: 2013+A1: 2019;
EN 55035: 2017+A11: 2020.

&

Harmonized Standard

EN 60598-1: 2015+A1: 2018;
EN 60598-2-17: 2018; EN 62493: 2015.
Safety of household and similar electrical appliances
Part 1: General requirements and tests

Certifications

cETLus Approved (Control #5000057)



www.acmelighting.com