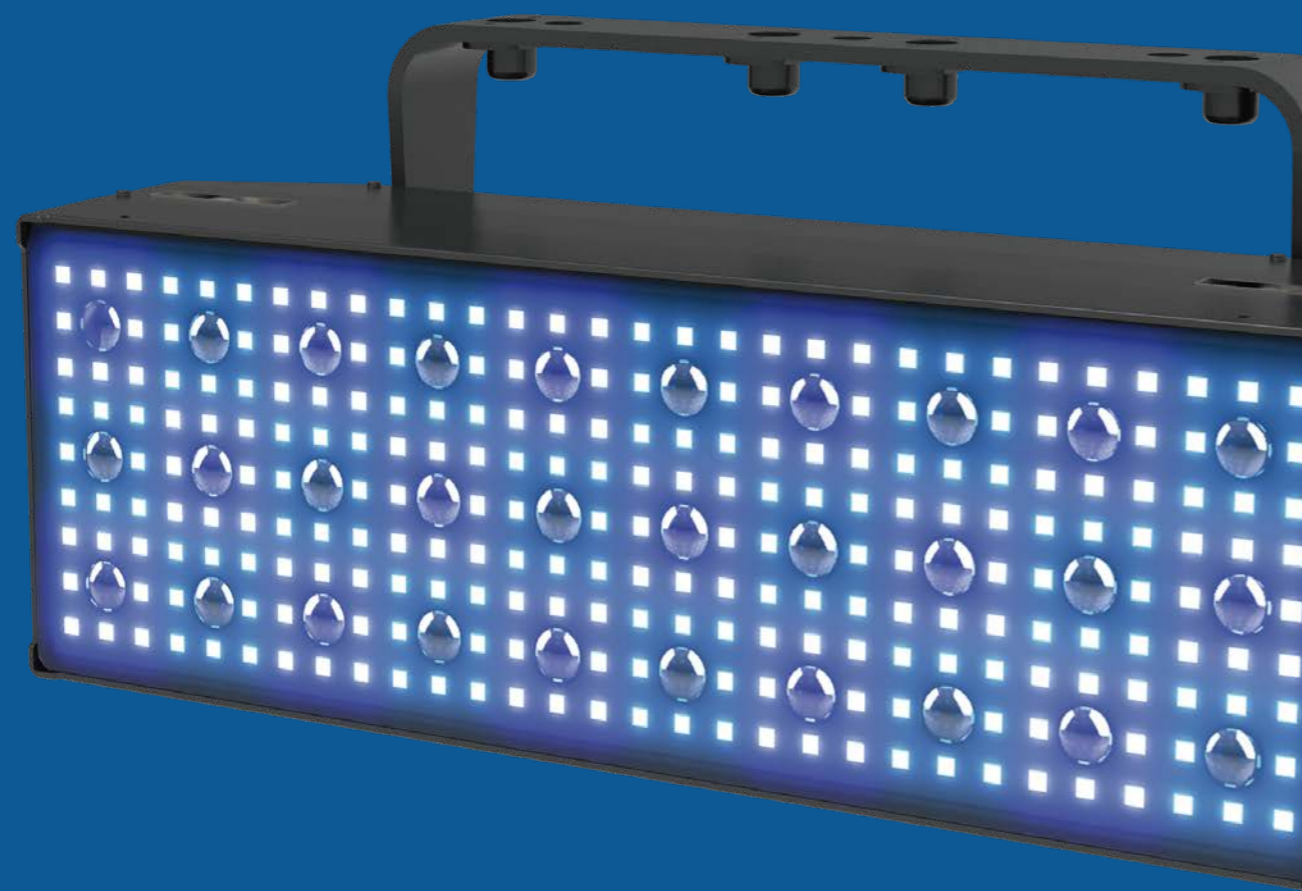


# LIGHTNING

## STROBE 6 IP



Light Source

**240 x 12W RGBW LED**  
**30 x 10W CW LED**

Beam Angle

RGBW: **102°**  
CW Beam: **3.5°**

Protection rating

**IP66**

Acme

LIGHTNING



### Main Features

#### 30 powerful beams

Light Source:  
240 x 12W RGBW LED  
30 x 10W CW LED  
Beam Angle:  
RGBW: 102°  
CW Beam: 3.5°

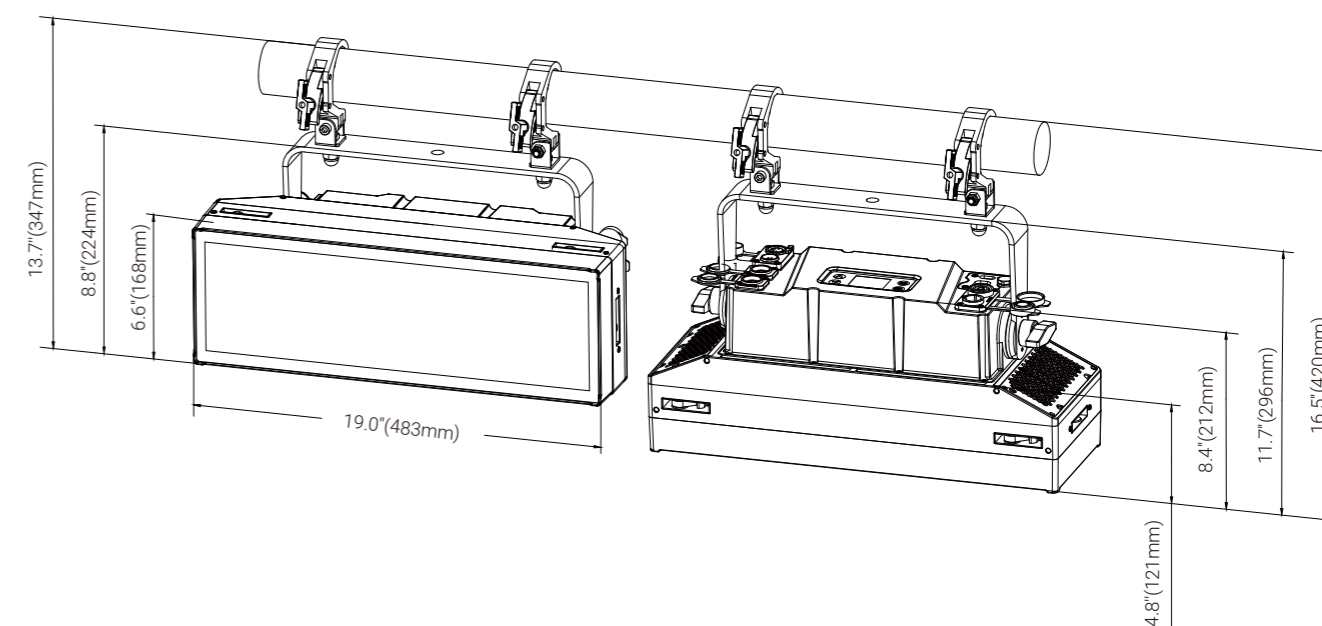
#### Hidden, accessories-free interlocking system for combining units

Smooth dimming 0-100%  
IP66 rated

#### Patented Smart Glass Technology for frost effects

Outstanding color mixing  
High output strobe effects

### Technical Specifications



### Light Source

- Light Source:  
240 x 12W RGBW LED  
30 x 10W CW LED
- Color Temperature Output of Fixture: 6,300K
- Life Expectancy: 20,000 hours \* manufacturer specification

### Optical system

- Beam Angle:  
RGBW: 102°  
CW : 3.5°

### Other Effects

- Outstanding color mixing
- High output strobe effects
- Patented Smart Glass Technology for frost effects
- Smooth dimming 0-100%

### Control

- 4 touch button control panel
- Display: LCD Display
- Protocols: DMX512, RDM, Art-Net, sACN
- DMX Protocol Modes: 10
- Control Channels: 10/17/21/24/26/36/41/61/150/158
- Firmware Upgrade: Upgrade via DMX link

### Electrical and Connectors

- Input Voltage Range: 100-240Vac; 50/60Hz
- Power consumption: 1,610W
- Power In/Out:  
Waterproof Power connector in/out (TRUE1 type)
- Data In/Out: 3-pin/5-pin waterproof XLR , RJ45 connector

### Physical Information

- Fixture Dimensions:  
483 x 224 x 212 mm (19.1" x 8.8" x 8.3')
- Weight: 13.3 kg (29.3 lbs)

### Packing Information

- Flight Case Dimensions:  
1,220 x 610 x 655 mm (48.0" x 24.0" x 25.8")  
Weight: 105.0 kg (231.5 lbs) (four-pack loader case)
- Carton Dimensions:  
595 x 320 x 390 mm (23.0" x 13.0" x 15.0")  
Weight: 16.5 kg (36.4 lbs) (one-pack loader carton)

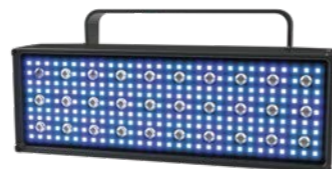
### Work Environment

- Maximum Ambient Temperature: 40°C
- Minimum Operating Temperature: -10°
- Maximum Surface Temperature: 65°C
- Protection Rating: IP66

### Installation

- Horizontal or vertical mounting
- Universal working position
- Safety cable attachment point

RGB LED



CW LED



RGB LED  
+CW LED

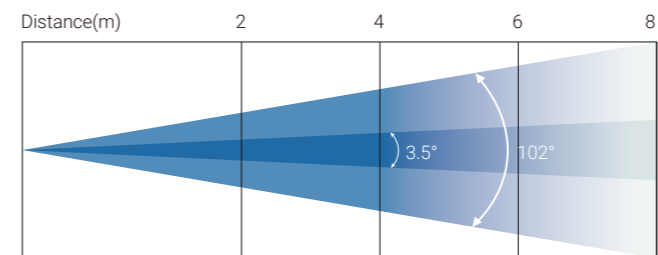


Patented Smart  
Glass Technology  
for frost effects



### Photometric (Images)

Beam Angle:



Distance(m)	2	4	6	8
102° RGBW Lux	7,292	1,805	856	519
Diameter(m)	4.9	9.9	14.8	19.7
3.5° CW Lux	46,800	31,000	19,900	14,200
Diameter(m)	0.2	0.4	0.7	0.9



Specifications subject to change without notice.