

# MANA PROFILE

XA 600 BSWF IP



Light Source

**600W LED**

Diameter of Front Lens

**170 mm**

Total Lumen Output of Fixture

**26,000 lumens**

Beam Angle

**3.5°-45°**

Protection Rating

**IP66**

ACME

MANA PROFILE



## Main Features

### LED Engine comprised of 600W LED

170 mm diameter front lens

Beam Angle: 3.5°-45°

Total Lumen Output of Fixture: 26,000 lm

Color Temperature Output of Fixture: 7,000K

### HCRI Mode: Ra≥90

Linear CMY color mixing

Variable CTO ranging from 2,700K-7,000K

### 1 Static Gobo Wheel: 9 gobos, plus open

1 Rotating Gobo Wheel: 8 gobos, plus open

1 Color Wheel: 6 colors + CTB, plus open

### 2 Combinable Rotating and Indexable Prisms:

1 x 4-facet prism, 1 x 4-facet linear prism

1 combinable light frost filter and 1 combinable medium frost filter

4 blades, each with separate movement and full blackout; ±60°

Rotation of the complete framing system

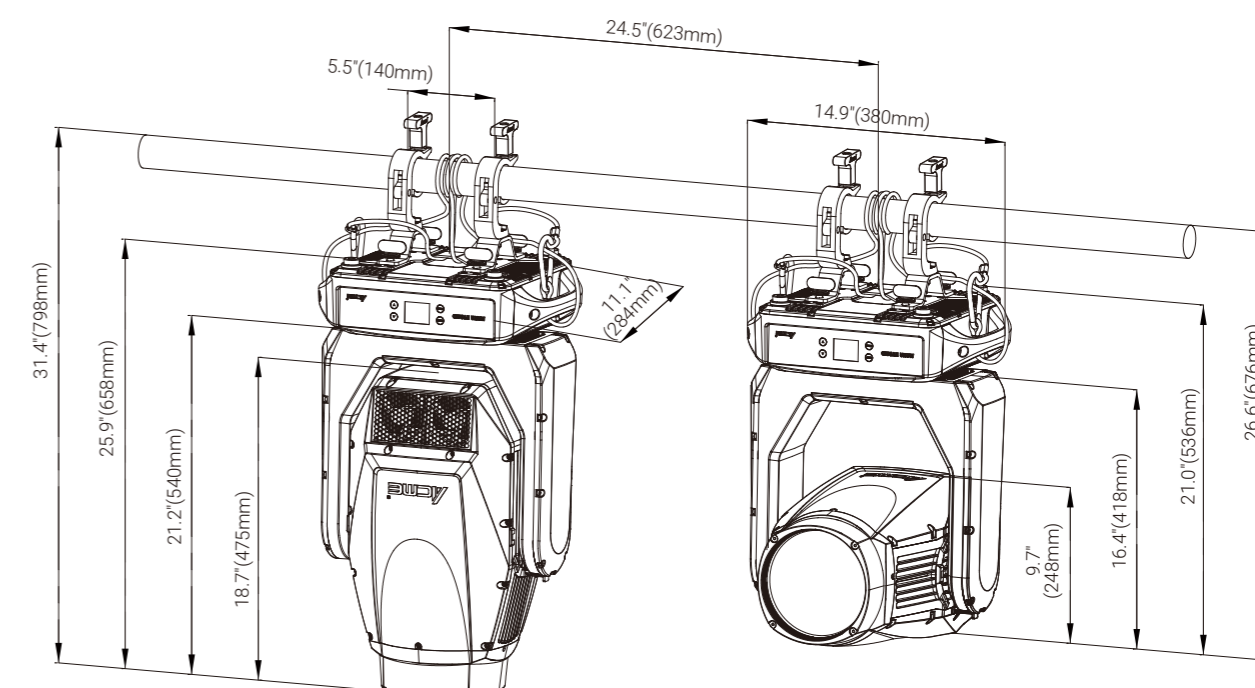
### Motorized linear Iris

Smooth dimming 0-100%

Outstanding strobe effect with variable speed

### IP66 rated

## Technical Specifications



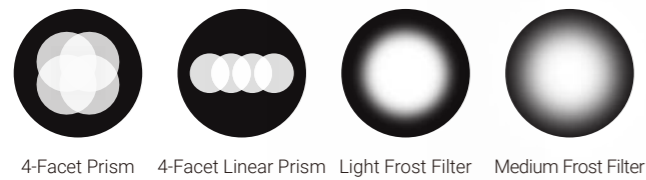
### Light Source

- Light Source: 600W LED engine
- Color Temperature Output of Fixture: 7,000K
- Total Lumen Output of Fixture: 26,000 lm
- Life Expectancy: 20,000 hours\* manufacturer specification

### Optical System

- Beam Angles: 3.5°-45°
- HCRI Mode: Ra≥90
- Diameter of Front Lens: 170 mm

### Prism / Frost Filter



### Colors

- Smooth CMY color mixing



- Linear CTO Color Correction: 2,700K-7,000K



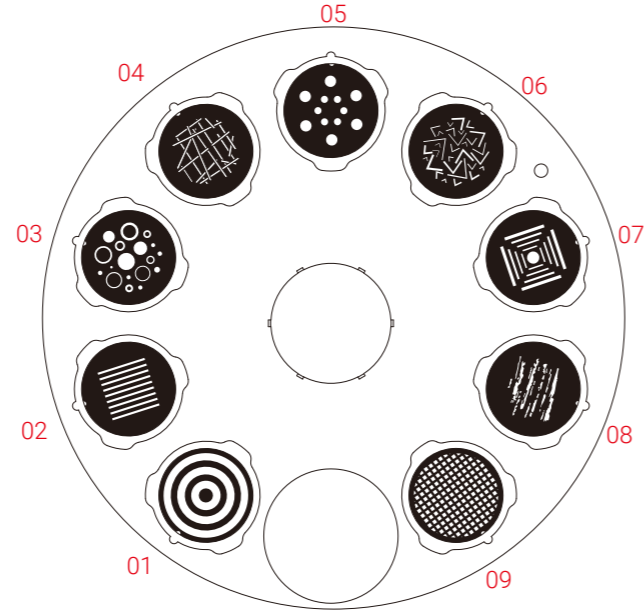
- 1 Color Wheel: 6 colors+ CTB, plus open



Color Wheel

### Static Gobos

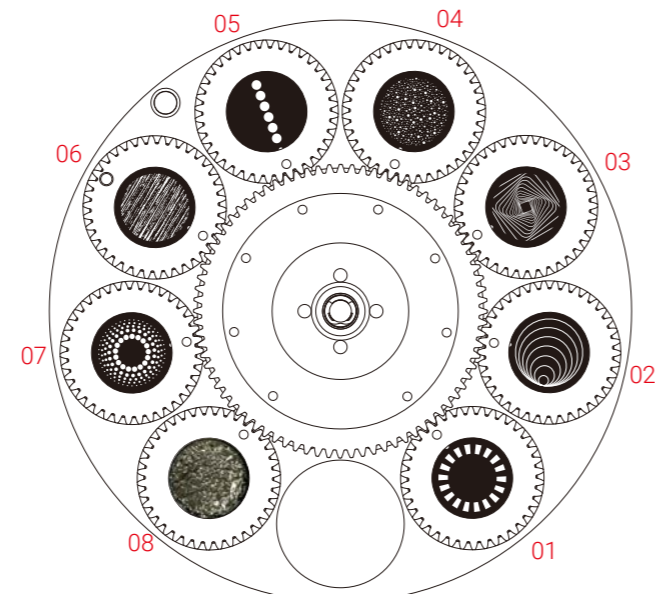
- 1 Static Gobo Wheel: 9 gobos, plus open
- Gobo Diameter: 24 mm
- Image Diameter: 18 mm
- Gobo Thickness: 1.1 mm



Static Gobo Wheel

### Rotating Gobos

- 1 Rotating & Interchangeable Gobo Wheel:
- 8 gobos, plus open Adjustable-speed rotating gobo in both directions
- Gobo Diameter: 20 mm
- Image Diameter: 17 mm
- Gobo Thickness: 1.1 mm



Rotating Gobo Wheel

### Framing System

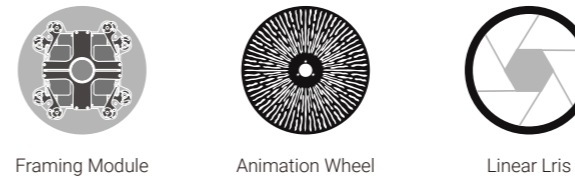
- Shutter Blades: 4 blades, each with separate movement and full blackout
- Rotation: ±60° of the complete framing system

### Animation Wheel

- A graphic animation wheel with continuous rotation in both directions, used alone or in combination with gobos to create the splendid water wave & flame effect, and can be changed into other wheels

### Other Effects

- Outstanding strobe effect with variable speed
- Smooth dimming 0-100%
- Motorized linear iris



### Pan & Tilt

- Pan Movement: 540°
- Tilt Movement: 260°
- Automatic Pan/Tilt position correction
- Moving-head operated with 16 bit resolution
- Fixation: Pan/Tilt lock

### Control

- 4 touch button control panel
- Display: LCD display
- Protocols: DMX512, RDM, Art-Net, sACN
- DMX Protocol Modes: 4
- Control Channels: 22/31/31/40
- Firmware Upgrade: Upgrade via DMX link or USB disk

### Electrical and Connectors

- Input Voltage Range: 100-240Vac; 50/60Hz
- Power Consumption: 910W
- Power In/Out: Waterproof power connector in/out (TRUE1 type)
- Data In/Out: 3-pin or 5-pin waterproof XLR, RJ45 connector

### Fixture Specifications

- Fixture Dimensions: 380 x 284 x 658 mm (15.0" x 11.2" x 25.9")
- Weight: 32.5 kg (71.7 lbs)
- Flight Case Dimensions: 1,220 x 610 x 805 mm(48.0" x 24.0" x 31.7")
- Weight: International Standard: G.W.: 130 kg (286.6 lbs) (two-pack loader case)
- North American Standard: G.W.: 139 kg (306.4 lbs) (two-pack loader case)
- Carton Dimensions: 610 x 490 x 675 mm (24.0" x 19.3" x 26.6")
- Weight: 36.5 kg (80.5 lbs) (one-pack loader carton)

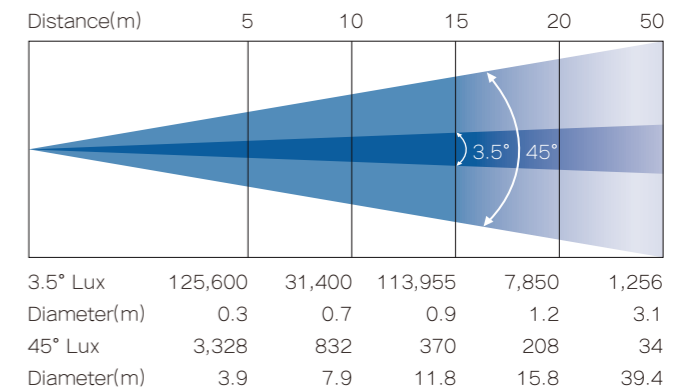
### Work Environment

- Maximum Ambient Temperature: 40°C
- Minimum Operating Temperature: -10°C
- Maximum Surface Temperature: 75°C
- Protection Rating: IP66

### Installation

- Horizontally or vertically mounting
- Universal working position · 2 omega brackets
- Four M4 threaded fixing holes on nose of fixture for mounting accessories

### Photometric (Images)



Specifications subject to change without notice.