

Acme®

PULSAR S2



User Manual

Please read the instruction carefully before use

CONTENTS

01/ Safety Instructions.....	2
02/ Technical Specifications	6
03/ Control Panel.....	8
04/ Fixture Installation.....	9
05/ How To Set The Unit.....	11
5.1 Main Functions	11
5.2 Home Position Adjustment	27
06/ Control By Universal DMX Controller.....	35
6.1 DMX512 Connection.....	35
6.2 Address Setting.....	36
6.3 DMX512 Configuration	36
07/ Error Information	61
08/ Troubleshooting	65
09/ Fixture Cleaning.....	66

01/ Safety Instructions



Please read the instruction carefully which includes important information about the installation, usage and maintenance.

WARNING

Please keep this User Guide for future consultation. If you sell the unit to another user, be sure that they also receive this instruction manual.

Important:

Damages caused by the disregard of this user manual are not subject to warranty. The dealer will not accept liability for any resulting defects or problems.

- Unpack and check carefully to ensure that there is no transportation damage before using the unit.
- This product is for indoor use only. Use only in a dry location.
- DO install and operate by qualified operator.
- DO NOT allow children to operate the fixture.
- Use safety chain (made of steel, min. diameter 2.0mm) when fixing the unit. Handle the unit by carrying its base instead of head only.
- The unit must be installed in a location with adequate ventilation, at least 50cm from adjacent surfaces.
- Be sure that no ventilation slots is blocked, otherwise the unit will be overheated.
- Before operation, ensure that you are connecting this product to the proper voltage in accordance with the specifications in this manual or on the product's specification label.
- It's important to ground the yellow/green conductor to earth in order to avoid electric shock.
- Minimum ambient temperature TA: 0°C. Maximum ambient temperature TA: 40°C. Do not operate this product at a lower or higher temperature.
- DO NOT connect the device to any dimmer pack.
- Keep flammable materials away from the fixture while operating to avoid fire hazard.
- Make sure the power cord is not crimped or damaged; replace it immediately if damaged.
- Unit's surface temperature may reach up to 65°C. DO NOT touch the housing bare-handed during its operation.
- Avoid any flammable liquids, water or metal from entering the unit. Once it happens, cut

off the mains power immediately.

- DO NOT operate in a dirty or dusty environment. DO clean the fixture regularly.
- DO NOT touch any wire during operation as there might be a hazard of electric shock.
- Avoid entanglement of the power cord with other wires.
- The minimum distance to objects/surface must be more than 0.5 meters.
- In the event of serious operating problem, stop using the unit immediately.
- Never turn on and off the unit time after time.
- The housing, the lenses, or the ultraviolet filter must be replaced if they are visibly damaged.
- DO NOT open the housing as there are no user serviceable parts inside.
- DO NOT attempt to operate this unit if it becomes damaged. DO NOT attempt any repairs yourself. Repairs carried out by unskilled people can lead to damage or malfunction. Please contact the nearest authorized technical assistance center if needed.
- Disconnect this product from its power source before servicing.
- DO use the original packaging if the device is to be transported.
- Avoid direct eye exposure to the light source while the product is on.
- DO NOT operate this product if you see damage on the housing, shields, or cables. Have the damaged parts replaced by an authorized technician at once.

01/ Consignes de sécurité



Veillez lire attentivement les instructions qui contiennent des informations importantes sur l'installation, l'utilisation et l'entretien.

ATTENTION

Veillez conserver ce guide de l'utilisateur pour une consultation future. Si vous vendez l'appareil à un autre utilisateur, assurez-vous qu'il reçoive également ce manuel d'instructions.

Important:

Les dommages causés par le non-respect de ce manuel d'utilisation ne sont pas couverts par la garantie. Le revendeur n'acceptera aucune responsabilité pour les défauts ou problèmes qui en résultent.

- Déballez et vérifiez soigneusement qu'il n'y a pas de dommages dus au transport avant d'utiliser l'appareil.
- Ce produit est destiné à un usage intérieur uniquement. Il doit donc être utilisé uniquement dans un endroit sec.
- L'installation et la mise en fonctionnement doit être effectué par un opérateur qualifié.
- NE PAS permettre aux enfants d'utiliser l'appareil.
- Utilisez une chaîne de sécurité lors de la fixation de l'unité. Manipulez l'appareil en portant sa base au lieu de la tête uniquement.
- L'unité doit être installée dans un endroit avec une ventilation adéquate, à au moins 50cm des surfaces adjacentes.
- Assurez-vous qu'aucune fente d'aération du luminaire n'est obstruée, sinon il risque de surchauffer.
- Avant toute utilisation, assurez-vous que vous connectez ce luminaire à la tension appropriée conformément aux spécifications que vous trouverez dans ce manuel ou sur l'étiquette des spécifications collée sur la base du luminaire.
- Il est important de relier le file jaune/vert à la terre afin d'éviter tout choc électrique.
- Température ambiante minimale TA: 0°C. Température ambiante maximale TA: 40°C. N'utilisez pas ce luminaire à des températures inférieures ou supérieures.
- NE PAS connecter le luminaire à un pack de gradateurs.
- Gardez les matériaux inflammables à l'écart du luminaire pendant le fonctionnement

pour éviter tout risque d'incendie.

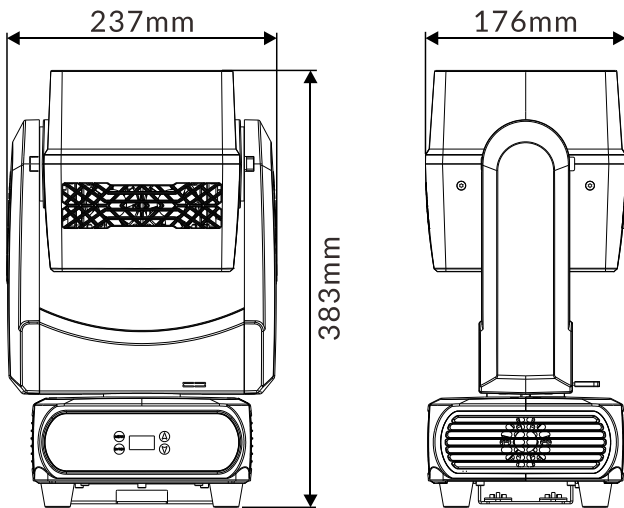
- Assurez-vous que le cordon d'alimentation n'est pas pincé ou endommagé; remplacez-le immédiatement s'il est endommagé.
- La température de surface de l'unité peut atteindre 65°C. NE PAS toucher les capots à mains nues pendant son fonctionnement.
- Évitez que des liquides inflammables, de l'eau ou du métal ne pénètrent dans l'appareil. Si cela se produit, coupez immédiatement l'alimentation secteur.
- NE PAS utiliser le luminaire dans un environnement sale ou poussiéreux. Cette appareil doit être nettoyer régulièrement.
- NE touchez AUCUN file pendant le fonctionnement car il pourrait y avoir un risque de choc électrique.
- Évitez l'enchevêtrement du cordon d'alimentation avec d'autres fils.
- La distance minimale de projection sur des objets ou sur des surfaces doit être supérieure à 0.5 mètres.
- En cas de problème de fonctionnement grave, arrêtez immédiatement d'utiliser l'appareil.
- N'allumez et n'éteignez jamais ce luminaire à maintes reprises.
- Le boîtier, les lentilles ou le filtre ultraviolet doivent être remplacés s'ils sont visiblement endommagés.
- NE PAS ouvrir le boîtier car il ne contient aucune pièce réparable par l'utilisateur.
- NE PAS mettre ce luminaire en fonctionnement s'il est endommagé. N'effectuez pas de réparations vous-même. Les réparations ne doivent être effectuées par des personnes non qualifiées, cela peut entraîner des dommages ou des dysfonctionnements. Veuillez contacter le centre d'assistance technique agréé le plus proche si nécessaire.
- Débranchez ce produit du secteur avant de procéder à l'entretien.
- Utiliser l'emballage d'origine si l'appareil doit être transporté.
- Évitez une exposition directe des yeux à la source lumineuse lorsque le produit est allumé.
- N'utilisez PAS ce produit si vous constatez des dommages sur le boîtier, les blindages ou les câbles. Faites remplacer immédiatement les pièces endommagées par un technicien agréé.

02/ Technical Specifications

Power Voltage	100-240V~ 50/60Hz	
Power Consumption	600W	
Light Source	4x60W RGBW LED	
	9x10W CW LED	
	108x0.5W RGB LED	
	96x3W CW LED	
Beam Angle	2.5°-28°	
Field Angle	4.4°-36°	
Dimmer/Strobe	0-100% smooth dimming; outstanding strobe effect with variable speed	
Movement	Pan	Infinite
	Tilt	Infinite
	Pan/Tilt Resolution	16 bit
	Automatic pan/tilt position correction	
	Fixation	Pan/Tilt lock
Control	DMX Channel	24/39/97/21+ Channels
	Control Mode	DMX512
		RDM
		Art-Net
		sACN
Firmware Upgrade	Firmware Upgrade via DMX link	
Construction	Display	OLED display
	Data In/Out	3-pin XLR (5-pin XLR is optional)
		RJ45 Connector
	Power In/Out	Power Connector in/out
Protection Rating	IP20	

Description for power cord set should be used: Listed SJT flexible cord with rating: 300V, 105°C, 16AWGx3C, molded with 5-20P attachment plug and terminated with cord connector model SAC3FX with rating 250V, 16A by NINGBO SEETRONIC ELECTRONIC TECHNOLOGY CO., LTD. The power cord shall be at least 914mm (It is to be measured from the face of the attachment plug to the face of connector).

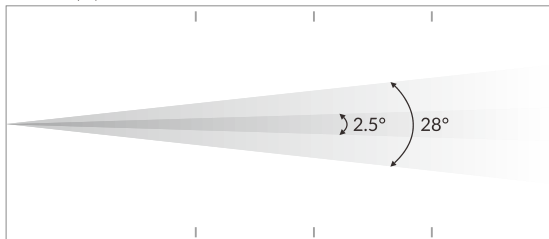
Features	Motorized liner zoom system	
	Variable CTO	
	Outstanding color mixing effect	
	Wash area: 4 x RGBW LEDs with individual control	
	Strobe area: 9 x CW LEDs with individual control 9 x RGB LED zones with individual control 24 x CW LED zones with individual control	
Dimensions	237x176x383mm	9.3"x6.9"x15.1" in
Weight	11kgs	24.3lbs



Photometric Diagram (Beam Angle):

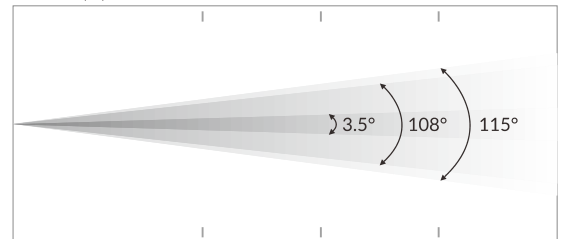
4x60W RGBW:

Distance(m) 5 10 15 20



2.5° Lux	37,640	9,410	3,690	2,353
Diameter(m)	0.2	0.5	0.7	0.9
28° Lux	940	235	92.2	58.8
Diameter(m)	2.5	4.9	7.4	9.8

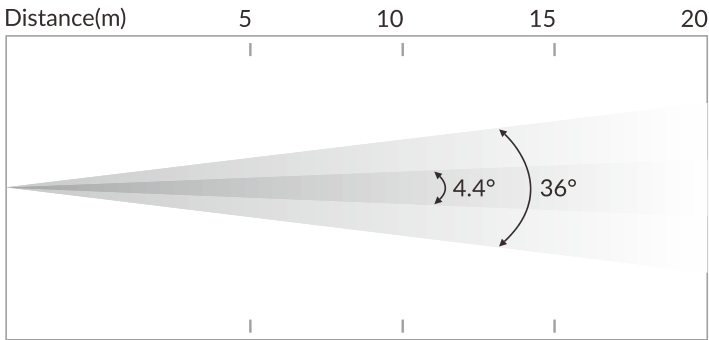
Distance(m) 5 10 15 20



9x10W CW: 3.5° Lux	20,120	5,030	2,236	1,258
Diameter(m)	0.3	0.7	1.0	1.3
108x0.5W RGB: 115° Lux	79	19.8	8.8	5
Diameter(m)	15.8	31.5	47.3	63.0
96x3W CW: 108° Lux	390	97.5	43.3	24.4
Diameter(m)	13.7	27.4	41.1	54.8

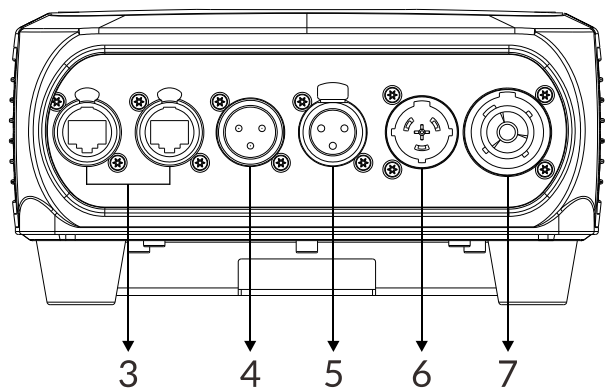
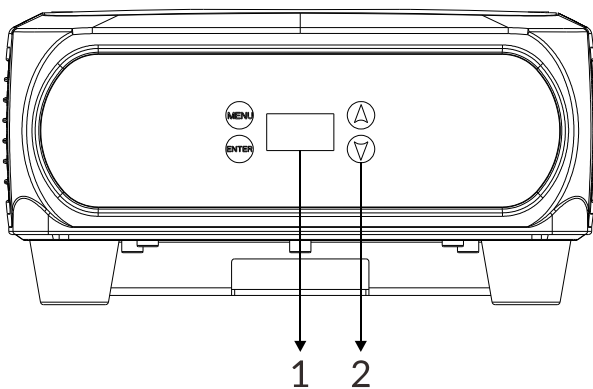
Photometric Diagram (Field Angle):

4x60W RGBW:



4.4° Lux	37,640	9,410	3,690	2,353
Diameter(m)	0.4	0.8	1.2	1.6
36° Lux	940	235	92.2	58.8
Diameter(m)	3.3	6.5	9.8	13.0

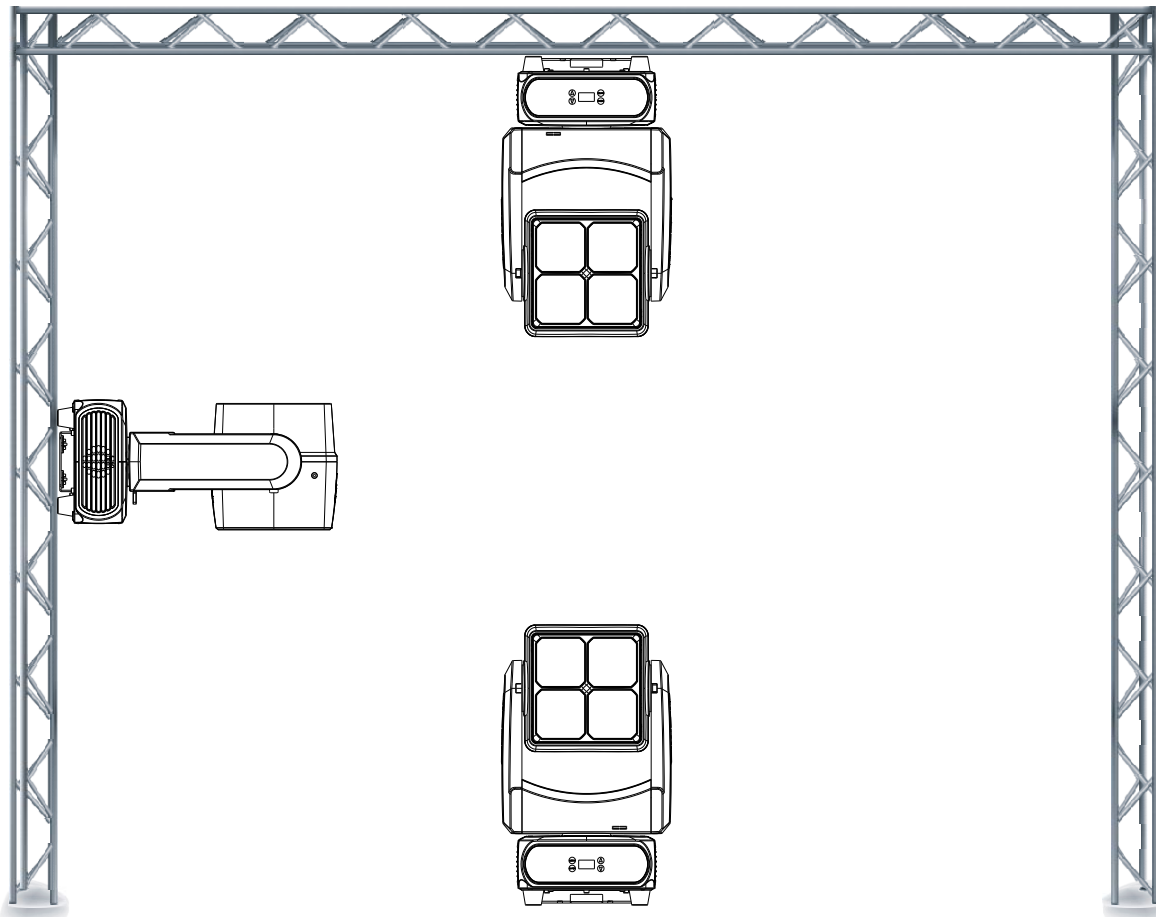
03/ Control Panel



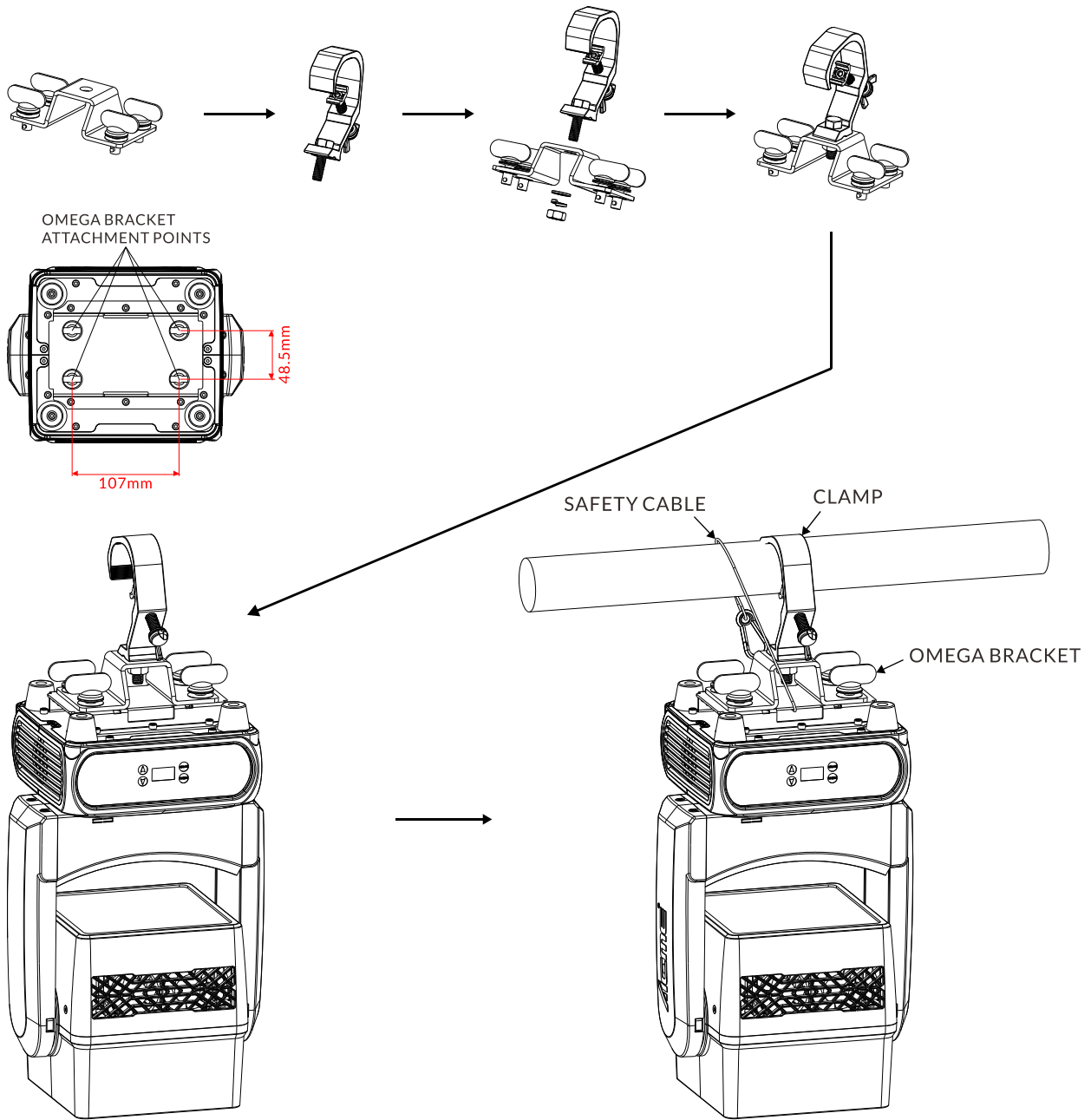
1. Display	To show the various menus and the selected function	
2. Buttons	MENU	To enter into move backward or leave the menu
	▲ UP	To go backward to move up in the menu
	▼ DOWN	To go forward to move down in the menu
	ENTER	To perform the desired functions
3. ETHERNET	Transfers fixture's information to a main controller	
4. DMX IN	For DMX512 link, use 3-pin XLR cable to link the unit and DMX controller to input DMX signal (5-pin XLR cable is optional)	
5. DMX OUT	For DMX512 link, use 3-pin XLR cable to link the next units to output DMX signal (5-pin XLR cable is optional)	
6. POWER IN	To connect to supply power	
7. POWER OUT	To connect to the next fixture	

04/ Fixture Installation

- ▶ DO install and operate by qualified operator. Fixture(s) should be installed in areas outside walking paths, seating areas, or away from areas where unauthorized personnel might reach the fixture by hand. NEVER stand directly below the fixture(s) when rigging, removing or servicing.
- ▶ Always ensure that the unit is firmly fixed to avoid vibration and slipping off during operation. Ensure that the trussing or area of installation must be able to hold 10 times the weight without any deformation. Always attach a safety cable (made of steel, min. diameter 2.0mm) that can hold at least 12 times the weight of the fixture whenever installing this fixture in a suspended environment to ensure that the fixture will not fall if the clamp fails.
- ▶ This fixture is fully operational in three different mounting positions: hanging upside-down, mounted sideways on trussing, or standing on the floor. Always use and install the supplied safety cable as a safety measure to prevent accidental damage and/or injury in the event the clamp fails.



Steps for installing omega brackets to the fixture:



05/ How To Set The Unit

5.1 Main Functions

- ▶ To access the control menus, press the [MENU] button.
- ▶ Navigate the menu structure, using the [ENTER], [▲ UP] and [▼ DOWN] buttons.
- ▶ To select a menu option or to confirm a selection, press the [ENTER] button.
- ▶ To return to a higher level in the menu structure without making a change, press the [MENU] button, or wait 30 seconds.

The main functions are shown below:

MENU	SUBMENU	OPTIONS	
DMX Settings	Port A Address	1-489 (24 CH)	(Default=1)
		1-474 (39 CH)	
		1-416 (97 CH)	
		1-492 (21+ CH)	
	Port B Address	1-437 (21+ CH)	(Default=1)
	DMX CH Mode	Mode 1 (24)	
		Mode 2 (39)	
		Mode 3 (97)	
		Mode 4 (21+)	
	No DMX Status	Blackout	
		Hold	
		Manual	
	View DMX Value		
	Connect Option	Auto	
		DMX	
		Art-Net	
		sACN	
	Network	IP Address	Default 1
			Default 2
		Manual	
Subnet Mask	XXX.XXX.XXX.XXX		
Art-Net Setting	Net	0-127	(Default=0)
	Sub-Net	0-15	(Default=0)
	Universe A	0-15	(Default=0)
	Universe B	0-15	(Default=0)

MENU	SUBMENU	OPTIONS		
	sACN Settings	sACN Universe	1-32000	(Default=1)
		sACN Priority	0-200	(Default=100)
	Artnet to DMX	No		
		Yes		
	Pan Invert	No		
		Yes		
	Tilt Invert	No		
		Yes		
	P/T Feedback	No		
		Yes		
	Dimmer Curve	Linear		
		Square Law		
		Inv SQ Law		
		S Curve		
	Dimmer Speed	Fast		
		Smooth		
Fixture Settings	White Balance	Red	125-255	
		Green	125-255	
		Blue	125-255	
		Red 1	125-255	
		Green 1	125-255	
		Blue 1	125-255	
		
		Red 4	125-255	
		Green 4	125-255	
		Blue 4	125-255	
		Zone Red	125-255	
		Zone Green	125-255	
		Zone Blue	125-255	
		Zone Red 1	125-255	
		Zone Green 1	125-255	
		Zone Blue 1	125-255	
		
		Zone Red 9	125-255	
		Zone Green 9	125-255	
		Zone Blue 9	125-255	

MENU	SUBMENU	OPTIONS
	LED Refresh Rate	900Hz
		1000Hz
		1100Hz
		1200Hz
		1300Hz
		1400Hz
		1500Hz
		2500Hz
		4000Hz
		5000Hz
		6000Hz
		10KHz
		15KHz
		20KHz
		25KHz
	Power Mode	Auto
		Quiet
	Invert Pixel	No
		Yes
	Zoom Mode	Long
Short		
Line Power Mode	Off	
	On	
Display Settings	Display Invert	No
		Yes
	Temperature Unit	°C
		°F
	Language	English
		Chinese

MENU	SUBMENU	OPTIONS			
Fixture Test	Auto Test	Mode 1		Mode 2	
	Manual Test	Clear	No/Yes	Clear	No/Yes
		Pan	0-255	Pan	0-255
		Tilt	0-255	Tilt	0-255
		Pan Infinity	0-255	Pan Infinity	0-255
		Tilt Infinity	0-255	Tilt Infinity	0-255
		Pan/Tilt Speed	0-255	Pan/Tilt Speed	0-255
		Zoom	0-255	Zoom	0-255
		Wash Strobe	0-255	Wash Strobe	0-255
		Wash Dimmer	0-255	Wash Dimmer	0-255
		Wash Red 1	0-255	Wash Red	0-255
		Wash Green 1	0-255	Wash Green	0-255
		Wash Blue 1	0-255	Wash Blue	0-255
		Wash White 1	0-255	Wash White	0-255
		Wash Clr. Mac.	0-255
		Wash Red 4	0-255	Wash CCT	0-255
		Wash Green 4	0-255	Beam Strobe	0-255
		Wash Blue 4	0-255	Beam Dimmer	0-255
		Wash White 4	0-255	Beam White	0-255
		Beam Strobe	0-255	Beam Macro	0-255
		Beam Dimmer	0-255	Beam Mac. Sp.	0-255
		Beam White 1	0-255	Zone Strobe	0-255
		Zone Dimmer	0-255
		Beam White 9	0-255	Zone Red	0-255
		Zone Strobe	0-255	Zone Green	0-255

MENU	SUBMENU	OPTIONS				
		Zone Dimmer	0-255	Zone Blue	0-255	
		Zone Red 1	0-255	Zone Clr. Mac.	0-255	
		Zone Green 1	0-255	Zone Macro	0-255	
		Zone Blue 1	0-255	Zone Mac. Sp.	0-255	
		Line Strobe	0-255	
		Zone Red 9	0-255	Line Dimmer	0-255	
		Zone Green 9	0-255	Line White	0-255	
		Zone Blue 9	0-255	Line Macro	0-255	
		Line Strobe	0-255	Line Mac. Sp.	0-255	
		Line Dimmer	0-255			
		Line White 1	0-255			
				
		Line White 24	0-255			
		Information	Fixture Use Hour			
LED Use Hour	Total LED Hour					
	LED On Hour					
	LED Hours Reset		No			
	Yes		Password=050			
Temperature	LED's		Current		Max temp	
			LED 1			
			LED 2			
			LED 3			
			LED 4			
Fan State	Base 1					
	Head 1					
	Head 2					
	Head 3					
	Head 4					
Firmware Version						
RDM UID						

MENU	SUBMENU	OPTIONS	
	Error Logs	Fixture Errors	
		Reset Error Log	No Yes Password=050
Reset Functions	Pan/Tilt Reset	No	
		Yes	
	Effect Reset	No	
		Yes	
	All Reset	No	
		Yes	
Factory Restore	No		
	Yes		

DMX Settings

Enter the control menu and select **DMX Settings**, press ENTER. Use the UP/DOWN button to select **Port A Address**, **Port B Address**, **DMX CH Mode**, **No DMX Status**, **View DMX Value**, **Connect Option**, **Network**, **Art-Net Settings**, **sACN Settings** or **Artnet to DMX**.

Port A Address

Select **Port A Address**, press ENTER.

Use UP/DOWN button to select an address, confirm your selection with ENTER.

CHANNEL MODE	DMX ADDRESS
Mode 1 (24)	1-489
Mode 2 (39)	1-474
Mode 3 (97)	1-416
Mode 4 (21+)	1-492

To exit the menu, press MENU, or wait 30 seconds.

Port B Address

Select **Port B Address**, press ENTER.

Use UP/DOWN button to select an address, confirm your selection with ENTER.

CHANNEL MODE	ADDRESS
Mode 4 (21+)	1-437

To exit the menu, press MENU, or wait 30 seconds.

DMX CH Mode

Select **DMX CH Mode**, press ENTER.

Use UP/DOWN button to select between **Mode 1 (24)**, **Mode 2 (39)**, **Mode 3 (97)** and **Mode 4 (21+)**, confirm your selection with ENTER.

To exit the menu, press MENU, or wait 30 seconds.

No DMX Status

Select **No DMX Status**, press ENTER.

Use UP/DOWN button to select one of the following status:

Blackout (Fixture blacks out if DMX signal stops)

Hold (The device continues to operate in the current mode with the last active DMX values until the signal returns)

Manual (The device accepts the DMX value stored in the 'Manual Test' menu)

Confirm your selection with ENTER.

To exit the menu, press MENU, or wait 30 seconds.

View DMX Value

Select **View DMX Value**, press ENTER.

Use UP/DOWN button to select the desired DMX channel, for which the value is to be displayed.

To exit the menu, press MENU, or wait 30 seconds.

Connect Option

Select **Connect Option**, press ENTER.

Use UP/DOWN button to select **Auto**, **DMX**, **Art-Net** or **sACN**, confirm your selection with ENTER.

To exit the menu, press MENU, or wait 30 seconds.

Network

Select **Network**, press ENTER.

Use UP/DOWN button to select **IP Address** or **Subnet Mask**, confirm your selection with ENTER.

To exit the menu, press MENU, or wait 30 seconds.

Art-Net Settings

Select **Art-Net Settings**, press ENTER.

Use UP/DOWN button to select **Net**, **Sub-Net**, **Universe A** or **Universe B**, confirm your selection with ENTER.

To exit the menu, press MENU, or wait 30 seconds.

sACN Settings

Select **sACN Settings**, press ENTER.

Use UP/DOWN button to select **sACN Universe** or **sACN Priority**, confirm your selection with ENTER.

To exit the menu, press MENU, or wait 30 seconds.

Artnet to DMX

Select **Artnet to DMX**, press ENTER.

Use UP/DOWN button to select **No** or **Yes**, confirm your selection with ENTER.

To exit the menu, press MENU, or wait 30 seconds.

Fixture Settings

Enter the control menu and select **Fixture Settings**, press ENTER. Use the UP/DOWN button to select **Pan Invert**, **Tilt Invert**, **P/T Feedback**, **Dimmer Curve**, **Dimmer Speed**, **White Balance**, **LED Refresh Rate**, **Power Mode**, **Invert Pixel**, **Zoom Mode** or **Line Power Mode**.

Pan Invert

Select **Pan Invert**, press ENTER.

Use UP/DOWN button to select **No** (pan invert deactivated) or **Yes** (pan invert activated), confirm your selection with ENTER.

To exit the menu, press MENU, or wait 30 seconds.

Tilt Invert

Select **Tilt Invert**, press ENTER.

Use UP/DOWN button to select **No** (tilt invert deactivated) or **Yes** (tilt invert activated), confirm your selection with ENTER.

To exit the menu, press MENU, or wait 30 seconds.

P/T Feedback

Select **P/T Feedback**, press ENTER.

Use UP/DOWN button to select **No** (pan/tilt feedback deactivated) or **Yes** (pan/tilt feedback activated), confirm your selection with ENTER.

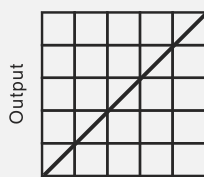
To exit the menu, press MENU, or wait 30 seconds.

Dimmer Curve

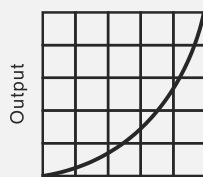
Select **Dimmer Curve**, press ENTER.

Use UP/DOWN button to select **Linear**, **Square Law**, **Inv SQ Law** or **S Curve**, confirm your selection with ENTER.

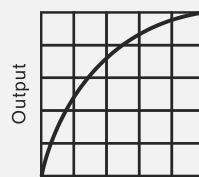
Dimmer Modes



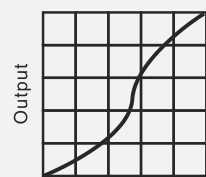
Optically Linear



Square Law



Inverse Square Law



S-curve

To exit the menu, press MENU, or wait 30 seconds.

Dimmer Speed

Select **Dimmer Speed**, press ENTER.

Use UP/DOWN button to select **Fast** or **Smooth**, confirm your selection with ENTER.

To exit the menu, press MENU, or wait 30 seconds.

White Balance

Select **White Balance**, press ENTER.

Use UP/DOWN button to select **Red, Green, Blue, Red 1, Green 1, Blue 1.....** or **Zone Red 9, Zone Green 9, Zone Blue 9**, confirm your selection with ENTER.

Use UP/DOWN button to select a value between **125** and **255**, confirm your selection with ENTER.

To exit the menu, press MENU, or wait 30 seconds.

LED Refresh Rate

Select **LED Refresh Rate**, press ENTER.

Use UP/DOWN button to select **900Hz, 1000Hz, 1100Hz, 1200Hz, 1300Hz, 1400Hz, 1500Hz, 2500Hz, 4000Hz, 5000Hz, 6000Hz, 10KHz, 15KHz, 20KHz** or **25KHz**, confirm your selection with ENTER.

To exit the menu, press MENU, or wait 30 seconds.

Power Mode

Select **Power Mode**, press ENTER.

Use UP/DOWN button to select **Auto** or **Quiet**, confirm your selection with ENTER.

To exit the menu, press MENU, or wait 30 seconds.

Invert Pixel

Select **Invert Pixel**, press ENTER.

Use UP/DOWN button to select **No** or **Yes**, confirm your selection with ENTER.

To exit the menu, press MENU, or wait 30 seconds.

Zoom Mode

Select **Zoom Mode**, press ENTER.

Use UP/DOWN button to select **Long** or **Short**, confirm your selection with ENTER.

To exit the menu, press MENU, or wait 30 seconds.

Line Power Mode

Select **Line Power Mode**, press ENTER.

Use UP/DOWN button to select **Off** or **On**, confirm your selection with ENTER.

To exit the menu, press MENU, or wait 30 seconds.

Display Settings

Enter the control menu and select **Display Settings**, press ENTER. Use the UP/DOWN button to select **Display Invert**, **Temperature Unit** or **Language**.

Display Invert

Select **Display Invert**, press ENTER.

Use UP/DOWN button to select **No** (display normal) or **Yes** (display inverted), confirm your selection with ENTER.

To exit the menu, press MENU, or wait 30 seconds.

Temperature Unit

Select **Temperature Unit**, press ENTER.

Use UP/DOWN button to select **°C** or **°F**, confirm your selection with ENTER.

To exit the menu, press MENU, or wait 30 seconds.

Language

Select **Language**, press ENTER.

Use UP/DOWN button to select **English** or **Chinese**, confirm your selection with ENTER.

To exit the menu, press MENU, or wait 30 seconds.

Fixture Test

Enter the control menu and select **Fixture Test**, press ENTER. Use the UP/DOWN button to select **Auto Test** or **Manual Test**.

Auto Test

Select **Auto Test**, press ENTER.

The device immediately performs an automatic self-test.

To end the automatic self-test and exit the menu, press MENU, or wait 30 seconds.

Manual Test

Select **Manual Test**, press ENTER.

Use UP/DOWN button to select the channel for which the manual test is to be performed, confirm your selection with ENTER.

Use UP/DOWN button to select a value, confirm your selection with ENTER.

To exit the menu, press MENU, or wait 30 seconds.

(The device returns to its original DMX state after the manual test. The test values are saved automatically when the device is switched off.)

Information

Enter the control menu and select **Information**, press ENTER. Use the UP/DOWN button to select **Fixture Use Hour**, **LED Use Hour**, **Temperature**, **Fan State**, **Firmware Version**, **RDM UID** or **Error Logs**.

Fixture Use Hour

Select **Fixture Use Hour**, press ENTER.

The operating hours is displayed.

To exit the menu, press MENU, or wait 30 seconds.

LED Use Hour

Select **LED Use Hour**, press ENTER.

Use UP/DOWN button to select **Total LED Hour** (total time) or **LED On Hour** (current switch-on time), confirm your selection with ENTER.

The total time or current switch-on time is displayed.

Use UP/DOWN button to select **LED Hours Reset**, confirm your selection with ENTER.

If you wish to reset the LED operating hours, select **Yes**. If you do not wish to reset anything, select **No**. Confirm your selection with ENTER.

If you select **Yes**, use UP/DOWN button to set the password 050, confirm your selection with ENTER. The LED operating hours is reset.

To exit the menu, press MENU, or wait 30 seconds.

Temperature

Select **Temperature**, press ENTER.

The device temperature is displayed.

To exit the menu, press MENU, or wait 30 seconds.

Fan State

Select **Fan State**, press ENTER.

The fan status is displayed.

To exit the menu, press MENU, or wait 30 seconds.

Firmware Version

Select **Firmware Version**, press ENTER.

The firmware version is displayed.

To exit the menu, press MENU, or wait 30 seconds.

RDM UID

Select **RDM UID**, press ENTER.

The RDM UID is displayed.

To exit the menu, press MENU, or wait 30 seconds.

Error Logs

Select **Error Logs**, press ENTER.

Use UP/DOWN button to select **Fixture Errors**, confirm your selection with ENTER.

The error list is displayed.

Use UP/DOWN button to select **Reset Error Log**, confirm your selection with ENTER.

If you wish to reset the relevant error logs, select **Yes**. If you do not wish to reset anything, select **No**. Confirm your selection with ENTER.

If you select **Yes**, use UP/DOWN button to set the password 050, confirm your selection with ENTER. The relevant error logs are reset.

To exit the menu, press MENU, or wait 30 seconds.

Reset Functions

Enter the control menu and select **Reset Functions**, press ENTER. Use the UP/DOWN button to select **Pan/Tilt Reset**, **Effect Reset** or **All Reset**.

Pan/Tilt Reset

Select **Pan/Tilt Reset**, press ENTER.

Use UP/DOWN button to select **No** or **Yes** (the device will run built-in program to reset pan/tilt to their home positions), confirm your selection with ENTER.

To exit the menu, press MENU, or wait 30 seconds.

Effect Reset

Select **Effect Reset**, press ENTER.

Use UP/DOWN button to select **No** or **Yes** (the device will run built-in program to reset effect to their home positions), confirm your selection with ENTER.

To exit the menu, press MENU, or wait 30 seconds.

All Reset

Select **All Reset**, press ENTER.

Use UP/DOWN button to select **No** or **Yes** (the device will run built-in program to reset all to their home positions), confirm your selection with ENTER.

To exit the menu, press MENU, or wait 30 seconds.

Factory Restore

Select **Factory Restore**, press ENTER.

If you wish to reset the device to the factory settings, select **Yes**. If you do not wish to reset anything, select **No**. Confirm your selection with ENTER.

To exit the menu, press MENU, or wait 30 seconds.

RDM functions: Certain menus of the device and functions can be called up via the RDM protocol.

The parameter IDs are implemented as follows for different commands:

Parameter ID	Command 'Discovery'	Command 'Set'	Command 'Get'
DISC_UNIQUE_BRANCH	✓		
DISC_MUTE	✓		
DISC_UN_MUTE	✓		
DEVICE_INFO			✓
SUPPORTED_PARAMETERS			✓
SOFTWARE_VERSION_LABEL			✓
DMX_START_ADDRESS		✓	✓
IDENTIFY_DEVICE		✓	✓
DEVICE_MODEL_DESCRIPTION			✓
PARAMETER_DESCRIPTION			✓
MANUFACTURER_LABEL			✓
DEVICE_LABEL		✓	✓
FACTORY_DEFAULTS		✓	✓
BOOT_SOFTWARE_VERSION_ID			✓
BOOT_SOFTWARE_VERSION_LABEL			✓
DMX_PERSONALITY		✓	✓
DMX_PERSONALITY_DESCRIPTION			✓
SLOT_INFO			✓
SLOT_DESCRIPTION			✓
SENSOR_DEFINITION			✓
SENSOR_VALUE			✓
DEVICE_HOURS			✓
LAMP_HOURS			✓
PAN_INVERT		✓	✓
TILT_INVERT		✓	✓
RESET_DEVICE		✓	
CURVE		✓	✓
DMX_STATE		✓	✓
DIMMER_SPEED		✓	✓
WHITE_BALANCE		✓	✓

✓ -Command implemented for the respective parameter ID

5.2 Home Position Adjustment

- ▶ To access the control menus, press the [MENU] button.
- ▶ To access the offset menus, long-press the [ENTER] button.
- ▶ Navigate the offset menus, using the [ENTER], [▲ UP] and [▼ DOWN] buttons.
- ▶ To select a menu option or to confirm a selection, press the [ENTER] button.
- ▶ To return to a higher level in the menu structure without making a change, press the [MENU] button, or wait 30 seconds.

OFFSET MENU	VALUES
Frequency(Hz)	1072~1327
Pan	-128~127
Tilt	-128~127
Zoom	-128~127
Red	0~1000
Green	0~1000
Blue	0~1000
White	0~1000
Red 1	0~1000
Green 1	0~1000
Blue 1	0~1000
White 1	0~1000
.....
Red 4	0~1000
Green 4	0~1000
Blue 4	0~1000
White 4	0~1000
Beam White	-75~1000
Beam White 1	-75~1000
.....
Beam White 9	-75~1000
Zone Red	0~1000
Zone Green	0~1000
Zone Blue	0~1000
Zone Red 1	0~1000

Zone Green 1	0~1000
Zone Blue 1	0~1000
.....
Zone Red 9	0~1000
Zone Green 9	0~1000
Zone Blue 9	0~1000
Line White	0~1000
Line White 1	0~1000
.....
Line White 24	0~1000

Frequency(Hz)

Select **Frequency(Hz)**, press ENTER.

Use UP/DOWN button to select a value, confirm your selection with ENTER.

To exit the offset menu, press MENU, or wait 30 seconds.

Frequency	VALUES
900Hz	772~1027
1000Hz	872~1127
1100Hz	972~1227
1200Hz	1072~1327
1300Hz	1172~1427
1400Hz	1272~1527
1500Hz	1372~1627
2500Hz	2372~2627
4000Hz	3872~4127
5000Hz	4872~5127
6000Hz	5872~6127
10000Hz	9872~10127
15000Hz	14872~15127
20000Hz	19872~20127
25000Hz	24872~25127

Pan

Select **Pan**, press ENTER.

Use UP/DOWN button to select a value between -128 and 127, confirm your selection with ENTER.

To exit the offset menu, press MENU, or wait 30 seconds.

Tilt

Select **Tilt**, press ENTER.

Use UP/DOWN button to select a value between -128 and 127, confirm your selection with ENTER.

To exit the offset menu, press MENU, or wait 30 seconds.

Zoom

Select **Zoom**, press ENTER.

Use UP/DOWN button to select a value between -128 and 127, confirm your selection with ENTER.

To exit the offset menu, press MENU, or wait 30 seconds.

Red

Select **Red**, press ENTER.

Use UP/DOWN button to select a value between 0 and 1000, confirm your selection with ENTER.

To exit the offset menu, press MENU, or wait 30 seconds.

Green

Select **Green**, press ENTER.

Use UP/DOWN button to select a value between 0 and 1000, confirm your selection with ENTER.

To exit the offset menu, press MENU, or wait 30 seconds.

Blue

Select **Blue**, press ENTER.

Use UP/DOWN button to select a value between 0 and 1000, confirm your selection with ENTER.

To exit the offset menu, press MENU, or wait 30 seconds.

White

Select **White**, press ENTER.

Use UP/DOWN button to select a value between 0 and 1000, confirm your selection with ENTER.

To exit the offset menu, press MENU, or wait 30 seconds.

Red 1

Select **Red 1**, press ENTER.

Use UP/DOWN button to select a value between 0 and 1000, confirm your selection with ENTER.

To exit the offset menu, press MENU, or wait 30 seconds.

Green 1

Select **Green 1**, press ENTER.

Use UP/DOWN button to select a value between 0 and 1000, confirm your selection with ENTER.

To exit the offset menu, press MENU, or wait 30 seconds.

Blue 1

Select **Blue 1**, press ENTER.

Use UP/DOWN button to select a value between 0 and 1000, confirm your selection with ENTER.

To exit the offset menu, press MENU, or wait 30 seconds.

White 1

Select **White 1**, press ENTER.

Use UP/DOWN button to select a value between 0 and 1000, confirm your selection with ENTER.

To exit the offset menu, press MENU, or wait 30 seconds.

.....

Red 4

Select **Red 4**, press ENTER.

Use UP/DOWN button to select a value between 0 and 1000, confirm your selection with ENTER.

To exit the offset menu, press MENU, or wait 30 seconds.

Green 4

Select **Green 4**, press ENTER.

Use UP/DOWN button to select a value between 0 and 1000, confirm your selection with ENTER.

To exit the offset menu, press MENU, or wait 30 seconds.

Blue 4

Select **Blue 4**, press ENTER.

Use UP/DOWN button to select a value between 0 and 1000, confirm your selection with ENTER.

To exit the offset menu, press MENU, or wait 30 seconds.

White 4

Select **White 4**, press ENTER.

Use UP/DOWN button to select a value between 0 and 1000, confirm your selection with ENTER.

To exit the offset menu, press MENU, or wait 30 seconds.

Beam White

Select **Beam White**, press ENTER.

Use UP/DOWN button to select a value between -75 and 1000, confirm your selection with ENTER.

To exit the offset menu, press MENU, or wait 30 seconds.

Beam White 1

Select **Beam White 1**, press ENTER.

Use UP/DOWN button to select a value between -75 and 1000, confirm your selection with ENTER.

To exit the offset menu, press MENU, or wait 30 seconds.

.....

Beam White 9

Select **Beam White 9**, press ENTER.

Use UP/DOWN button to select a value between -75 and 1000, confirm your selection with ENTER.

To exit the offset menu, press MENU, or wait 30 seconds.

Zone Red

Select **Zone Red**, press ENTER.

Use UP/DOWN button to select a value between 0 and 1000, confirm your selection with ENTER.

To exit the offset menu, press MENU, or wait 30 seconds.

Zone Green

Select **Zone Green**, press ENTER.

Use UP/DOWN button to select a value between 0 and 1000, confirm your selection with ENTER.

To exit the offset menu, press MENU, or wait 30 seconds.

Zone Blue

Select **Zone Blue**, press ENTER.

Use UP/DOWN button to select a value between 0 and 1000, confirm your selection with ENTER.

To exit the offset menu, press MENU, or wait 30 seconds.

Zone Red 1

Select **Zone Red 1**, press ENTER.

Use UP/DOWN button to select a value between 0 and 1000, confirm your selection with ENTER.

To exit the offset menu, press MENU, or wait 30 seconds.

Zone Green 1

Select **Zone Green 1**, press ENTER.

Use UP/DOWN button to select a value between 0 and 1000, confirm your selection with ENTER.

To exit the offset menu, press MENU, or wait 30 seconds.

Zone Blue 1

Select **Zone Blue 1**, press ENTER.

Use UP/DOWN button to select a value between 0 and 1000, confirm your selection with ENTER.

To exit the offset menu, press MENU, or wait 30 seconds.

.....

Zone Red 9

Select **Zone Red 9**, press ENTER.

Use UP/DOWN button to select a value between 0 and 1000, confirm your selection with ENTER.

To exit the offset menu, press MENU, or wait 30 seconds.

Zone Green 9

Select **Zone Green 9**, press ENTER.

Use UP/DOWN button to select a value between 0 and 1000, confirm your selection with ENTER.

To exit the offset menu, press MENU, or wait 30 seconds.

Zone Blue 9

Select **Zone Blue 9**, press ENTER.

Use UP/DOWN button to select a value between 0 and 1000, confirm your selection with ENTER.

To exit the offset menu, press MENU, or wait 30 seconds.

Line White

Select **Line White**, press ENTER.

Use UP/DOWN button to select a value between 0 and 1000, confirm your selection with ENTER.

To exit the offset menu, press MENU, or wait 30 seconds.

Line White 1

Select **Line White 1**, press ENTER.

Use UP/DOWN button to select a value between 0 and 1000, confirm your selection with ENTER.

To exit the offset menu, press MENU, or wait 30 seconds.

.....

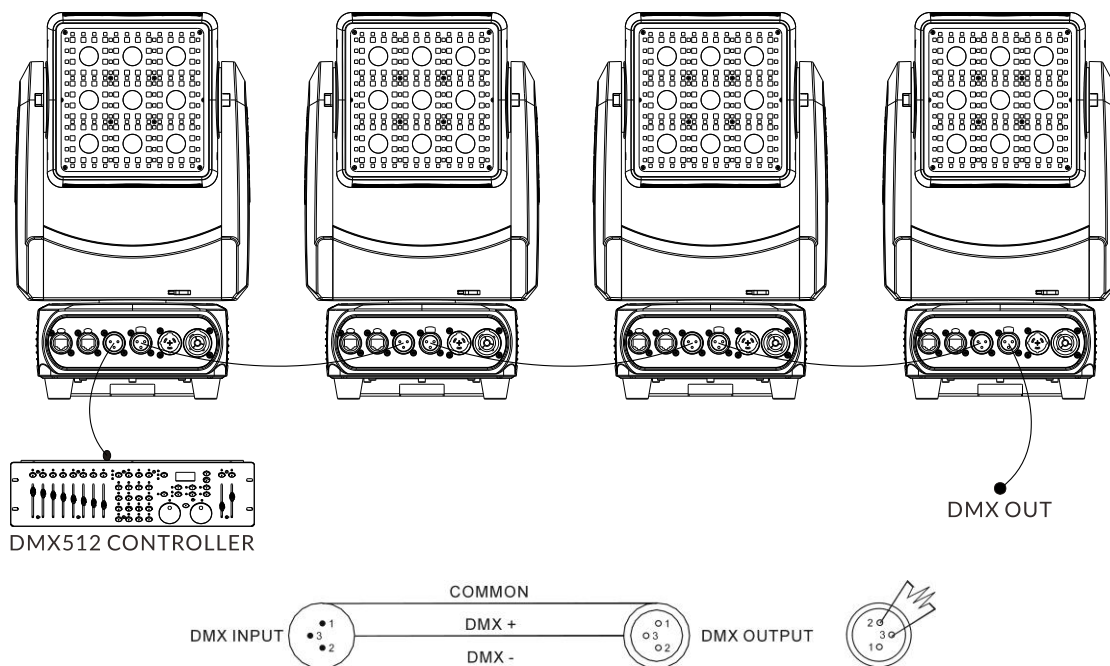
Line White 24

Select **Line White 24**, press ENTER.

Use UP/DOWN button to select a value between 0 and 1000, confirm your selection with ENTER.

To exit the offset menu, press MENU, or wait 30 seconds.

6.1 DMX512 Connection



1. At last unit, the DMX cable has to be terminated with a terminator. Solder a 120-ohm 1/4W resistor between pin 2(DMX-) and pin 3(DMX+) into a 3-pin XLR-plug and plug it in the DMX-output of the last unit.
2. Connect the unit together in a “daisy chain” by XLR plug cable from the output of the unit to the input of the next unit. The cable can only be used in series and cannot be connected in parallel. DMX 512 is a very high-speed signal. Inadequate or damaged cables, soldered joints or corroded connectors can easily distort the signal and shut down the system.
3. The DMX output and input connectors are pass-through to maintain the DMX circuit, when one of the units' power is disconnected.
4. Each lighting unit needs to have a DMX address to receive the data by the controller. The address number is between 1-512.
5. The end of the DMX 512 system should be terminated to reduce signal errors.
6. 3 pin XLR connectors are more popular than 5 pins XLR.
 - 3 pin XLR: Pin 1: GND, Pin 2: Negative signal (-), Pin 3: Positive signal (+)
 - 5 pin XLR: Pin 1: GND, Pin 2: Negative signal (-), Pin 3: Positive signal (+), Pin4, Pin5 not used.

6.2 Address Setting

If you use a universal DMX controller to control the units, you have to set DMX address between 1 and 512 so that the units can receive DMX signal.

Press the MENU button to access the control menus, select DMX Settings, press the ENTER button to confirm. Use the UP/DOWN button to select Port A/B Address, press the ENTER button to confirm, the present address will show on the display. Use the UP/DOWN button to adjust the address between 001 and 512, press the ENTER button to store. To exit the menu, press MENU, or wait 30 seconds.

Please refer to the following diagram to address your DMX512 channel for the first 4 units.

Channel Mode	Unit 1 Address	Unit 2 Address	Unit 3 Address	Unit 4 Address
24 channels	1	25	49	73
39 channels	1	40	79	118
97 channels	1	98	195	292
21+ channels (Controlled by DMX)	1	22	43	64
21+ channels (Controlled by Art-Net)	1	77	153	229

6.3 DMX512 Configuration

Please control the fixture by referring to the configurations below.

Attentions:

- ▶ The unit will maintain the last condition until reset if you cut-off the DMX signal.
- ▶ For the channel Function, keep the value for about 3 seconds, then the corresponding function will take into effect.

24 Channels (Mode 1):

CHANNEL	VALUE	FUNCTION
1	000-255	PAN 0°→540°
2	000-255	PAN FINE
3	000-255	TILT 0°→450°
4	000-255	TILT FINE
5	000-127 128-189 190-193 194-255	PAN INFINITY Null Counter-Clockwise Rotation, Fast to Slow Stop Clockwise Rotation, Slow to Fast
6	000-127 128-189 190-193 194-255	TILT INFINITY Null Clockwise Rotation, Fast to Slow Stop Counter-Clockwise Rotation, Slow to Fast
7	000-255	PAN/TILT SPEED Fast to Slow
8	000-255	ZOOM Wide→Narrow
9	000-255	DIMMER 0%→100%
10	000-255	DIMMER FINE
11	000-007 008-015 016-131 132-139 140-181 182-189 190-231 232-239 240-247 248-255	WASH_STROBE Close Open Strobe from Slow to Fast Open Fast Open Slow Close from Slow to Fast Open Fast Close Slow Open from Slow to Fast Open Random Strobe from Slow to Fast Open
12	000-007 008-015 016-131 132-139 140-181 182-189 190-231	BEAM_STROBE Close Open Strobe from Slow to Fast Open Fast Open Slow Close from Slow to Fast Open Fast Close Slow Open from Slow to Fast

	232-239 240-247 248-255	Open Random Strobe from Slow to Fast Open
13	000-007 008-015 016-131 132-139 140-181 182-189 190-231 232-239 240-247 248-255	ZONE_STROBE Close Open Strobe from Slow to Fast Open Fast Open Slow Close from Slow to Fast Open Fast Close Slow Open from Slow to Fast Open Random Strobe from Slow to Fast Open
14	000-007 008-015 016-131 132-139 140-181 182-189 190-231 232-239 240-247 248-255	LINE_STROBE Close Open Strobe from Slow to Fast Open Fast Open Slow Close from Slow to Fast Open Fast Close Slow Open from Slow to Fast Open Random Strobe from Slow to Fast Open
15	000-009 010-019 020-029 030-039 040-049 050-059 060-069 070-079 080-089 090-099 100-109 110-119 120-122 123 124 125 126 127 128 129 130	SPECIAL FUNCTION Null Zoom Mode: Short Zoom Mode: Long Dimmer Curve: Linear Dimmer Curve: Square law Dimmer Curve: Inv SQ law Dimmer Curve: S Curve Null Power Mode: Auto Power Mode: Quiet Led Frequency Setting Enable Led Frequency Setting Disable Null 900Hz 1000Hz 1100Hz 1200Hz 1300Hz 1400Hz 1500Hz 2500Hz

	131	4000Hz
	132	5000Hz
	133	6000Hz
	134	10KHz
	135	15KHz
	136	20KHz
	137	25KHz
	138-139	Null
	140-149	Pan/Tilt Reset
	150-159	Effect Reset
	160-169	Null
	170-179	Null
	180-189	Null
	190-199	Null
	200-209	Reset All
	210-219	Dimmer Speed: Fast
	220-229	Dimmer Speed: Smooth
	230-239	Line Power Mode: Off
	240-249	Line Power Mode: On
	250-255	No Function
16	000-255	WASH_RED 0%→100%
17	000-255	WASH_GREEN 0%→100%
18	000-255	WASH_BLUE 0%→100%
19	000-255	WASH_WHITE 0%→100%
20	000-255	BEAM_WHITE 0%→100%
21	000-255	ZONE_RED 0%→100%
22	000-255	ZONE_GREEN 0%→100%
23	000-255	ZONE_BLUE 0%→100%
24	000-255	LINE_WHITE 0%→100%

39 Channels (Mode 2):

CHANNEL	VALUE	FUNCTION
1	000-255	PAN 0°→540°
2	000-255	PAN FINE

3	000-255	TILT 0°→450°
4	000-255	TILT FINE
5	000-127 128-189 190-193 194-255	PAN INFINITY Null Counter-Clockwise Rotation, Fast to Slow Stop Clockwise Rotation, Slow to Fast
6	000-127 128-189 190-193 194-255	TILT INFINITY Null Clockwise Rotation, Fast to Slow Stop Counter-Clockwise Rotation, Slow to Fast
7	000-255	PAN/TILT SPEED Fast to Slow
8	000-255	ZOOM Wide→Narrow
9	000-255	WASH_DIMMER 0%→100%
10	000-255	WASH_DIMMER FINE
11	000-007 008-015 016-131 132-139 140-181 182-189 190-231 232-239 240-247 248-255	WASH_STROBE Close Open Strobe from Slow to Fast Open Fast Open Slow Close from Slow to Fast Open Fast Close Slow Open from Slow to Fast Open Random Strobe from Slow to Fast Open
12	000-255	BEAM_DIMMER 0%→100%
13	000-255	BEAM_DIMMER FINE
14	000-007 008-015 016-131 132-139 140-181 182-189 190-231 232-239 240-247 248-255	BEAM_STROBE Close Open Strobe from Slow to Fast Open Fast Open Slow Close from Slow to Fast Open Fast Close Slow Open from Slow to Fast Open Random Strobe from Slow to Fast Open
15		ZONE_DIMMER

	000-255	0%→100%
16	000-255	ZONE_DIMMER FINE
17	000-007	ZONE_STROBE Close
	008-015	Open
	016-131	Strobe from Slow to Fast
	132-139	Open
	140-181	Fast Open Slow Close from Slow to Fast
	182-189	Open
	190-231	Fast Close Slow Open from Slow to Fast
	232-239	Open
240-247	Random Strobe from Slow to Fast	
248-255	Open	
18	000-255	LINE_DIMMER 0%→100%
19	000-255	LINE_DIMMER FINE
20	000-007	LINE_STROBE Close
	008-015	Open
	016-131	Strobe from Slow to Fast
	132-139	Open
	140-181	Fast Open Slow Close from Slow to Fast
	182-189	Open
	190-231	Fast Close Slow Open from Slow to Fast
	232-239	Open
240-247	Random Strobe from Slow to Fast	
248-255	Open	
21	000-009	SPECIAL FUNCTION Null
	010-019	Zoom Mode: Short
	020-029	Zoom Mode: Long
	030-039	Dimmer Curve: Linear
	040-049	Dimmer Curve: Square law
	050-059	Dimmer Curve: Inv SQ law
	060-069	Dimmer Curve: S Curve
	070-079	Null
	080-089	Power Mode: Auto
	090-099	Power Mode: Quiet
	100-109	Led Frequency Setting Enable
	110-119	Led Frequency Setting Disable
	120-122	Null
	123	900Hz
	124	1000Hz
	125	1100Hz
126	1200Hz	
127	1300Hz	
128	1400Hz	

	129	1500Hz
	130	2500Hz
	131	4000Hz
	132	5000Hz
	133	6000Hz
	134	10KHz
	135	15KHz
	136	20KHz
	137	25KHz
	138-139	Null
	140-149	Pan/Tilt Reset
	150-159	Effect Reset
	160-169	Null
	170-179	Null
	180-189	Null
	190-199	Null
	200-209	Reset All
	210-219	Dimmer Speed: Fast
	220-229	Dimmer Speed: Smooth
	230-239	Line Power Mode: Off
	240-249	Line Power Mode: On
	250-255	No Function
22	000-255	WASH_RED 0%→100%
23	000-255	WASH_GREEN 0%→100%
24	000-255	WASH_BLUE 0%→100%
25	000-255	WASH_WHITE 0%→100%
26	0	WASH_CCT Null
	001-004	8000K
	005-009	7900K
	010-013	7800K
	014-018	7700K
	019-022	7600K
	023-027	7500K
	028-031	7400K
	032-036	7300K
	037-040	7200K
	041-045	7100K
	046-049	7000K
	050-054	6900K
	055-058	6800K
	059-063	6700K
	064-067	6600K

	068-072	6500K
	073-076	6400K
	077-081	6300K
	082-085	6200K
	086-090	6100K
	091-094	6000K
	095-099	5900K
	100-103	5800K
	104-108	5700K
	109-112	5600K
	113-117	5500K
	118-121	5400K
	122-126	5300K
	127-130	5200K
	131-135	5100K
	136-139	5000K
	140-144	4900K
	145-148	4800K
	149-153	4700K
	154-157	4600K
	158-162	4500K
	163-166	4400K
	167-171	4300K
	172-175	4200K
	176-180	4100K
	181-184	4000K
	185-189	3900K
	190-193	3800K
	194-198	3700K
	199-202	3600K
	203-207	3500K
	208-211	3400K
	212-216	3300K
	217-220	3200K
	221-225	3100K
	226-229	3000K
	230-234	2900K
	235-238	2800K
	239-243	2700K
	244-247	2600K
	248-255	2500K
		WASH_COLOR MACRO
	000-009	Null
	010-016	LEE 790-Moroccan Pink
	017-023	LEE 157-Pink
	024-030	LEE 332-Special Rose Pink
	031-037	LEE 328-Follies Pink
27		

	038-044 045-051 052-058 059-065 066-072 073-079 080-086 087-093 094-100 101-107 108-114 115-121 122-128 129-135 136-142 143-149 150-156 157-163 164-170 171-177 178-184 185-191 192-198 199-215 216-222 223-229 230-236 237-243 244-255	LEE 345-Fuchsia Pink LEE 194-Surprise Pink LEE 181-Congo Blue LEE 071-Tokyo Blue LEE 120-Deep Blue LEE 079-Just Blue LEE 132-Medium Blue LEE 200-Double CT Blue LEE 161-State Blue LEE 201-Full CT Blue LEE 202-Half CT Blue LEE 117-Steel Blue LEE 353-Lighter Blue LEE 118-Light Blue LEE 116-Medium Blue Green LEE 124-Dark Green LEE 139-Primary Green LEE 089-Moss Green LEE 122-Fern Green LEE 738-JAS Green LEE 088-Lime Green LEE 100-Spring Yellow LEE 104-Deep Amber LEE 179-Chrome Orange LEE 105-Orange LEE 021-Gold Amber LEE 778-Millennium Gold LEE 135-Deep Gold Amber LEE 164-Flame Red
28	000-255	BEAM_WHITE 0%→100%
29	000-007 008-015 016-023 024-031 032-039 040-047 048-055 056-063 064-071 072-079 080-087 088-095 096-103 104-111 112-119	BEAM_MACRO Null Macro Effect 1 Macro Effect 2 Macro Effect 3 Macro Effect 4 Macro Effect 5 Macro Effect 6 Macro Effect 7 Macro Effect 8 Macro Effect 9 Macro Effect 10 Macro Effect 11 Macro Effect 12 Macro Effect 13 Macro Effect 14

	120-127 128-135 136-143 144-151 152-159 160-167 168-175 176-183 184-191 192-199 200-207 208-215 216-223 224-231 232-239 240-247 248-255	Macro Effect 15 Macro Effect 16 Macro Effect 17 Macro Effect 18 Macro Effect 19 Macro Effect 20 Macro Effect 21 Macro Effect 22 Macro Effect 23 Macro Effect 24 Macro Effect 25 Macro Effect 26 Macro Effect 27 Macro Effect 28 Macro Effect 29 Macro Effect 30 Macro Effect 31
30	000 001-127 128 129-255	BEAM_MACRO SPEED Null Slow to Fast without Fade Null Slow to Fast with Fade
31	000-255	ZONE_RED 0%→100%
32	000-255	ZONE_GREEN 0%→100%
33	000-255	ZONE_BLUE 0%→100%
34	000-009 010-016 017-023 024-030 031-037 038-044 045-051 052-058 059-065 066-072 073-079 080-086 087-093 094-100 101-107 108-114 115-121 122-128	ZONE_COLOR MACRO Null LEE 790-Moroccan Pink LEE 157-Pink LEE 332-Special Rose Pink LEE 328-Follies Pink LEE 345-Fuchsia Pink LEE 194-Surprise Pink LEE 181-Congo Blue LEE 071-Tokyo Blue LEE 120-Deep Blue LEE 079-Just Blue LEE 132-Medium Blue LEE 200-Double CT Blue LEE 161-State Blue LEE 201-Full CT Blue LEE 202-Half CT Blue LEE 117-Steel Blue LEE 353-Lighter Blue

	129-135 136-142 143-149 150-156 157-163 164-170 171-177 178-184 185-191 192-198 199-215 216-222 223-229 230-236 237-243 244-255	LEE 118-Light Blue LEE 116-Medium Blue Green LEE 124-Dark Green LEE 139-Primary Green LEE 089-Moss Green LEE 122-Fern Green LEE 738-JAS Green LEE 088-Lime Green LEE 100-Spring Yellow LEE 104-Deep Amber LEE 179-Chrome Orange LEE 105-Orange LEE 021-Gold Amber LEE 778-Millennium Gold LEE 135-Deep Gold Amber LEE 164-Flame Red
35	000-007 008-015 016-023 024-031 032-039 040-047 048-055 056-063 064-071 072-079 080-087 088-095 096-103 104-111 112-119 120-127 128-135 136-143 144-151 152-159 160-167 168-175 176-183 184-191 192-199 200-207 208-215 216-223 224-231 232-239	ZONE_MACRO Null Macro Effect 1 Macro Effect 2 Macro Effect 3 Macro Effect 4 Macro Effect 5 Macro Effect 6 Macro Effect 7 Macro Effect 8 Macro Effect 9 Macro Effect 10 Macro Effect 11 Macro Effect 12 Macro Effect 13 Macro Effect 14 Macro Effect 15 Macro Effect 16 Macro Effect 17 Macro Effect 18 Macro Effect 19 Macro Effect 20 Macro Effect 21 Macro Effect 22 Macro Effect 23 Macro Effect 24 Macro Effect 25 Macro Effect 26 Macro Effect 27 Macro Effect 28 Macro Effect 29

	240-247 248-255	Macro Effect 30 Macro Effect 31
36	000 001-127 128 129-255	ZONE_MACRO SPEED Null Slow to Fast without Fade Null Slow to Fast with Fade
37	000-255	LINE_WHITE 0%→100%
38	000-007 008-015 016-023 024-031 032-039 040-047 048-055 056-063 064-071 072-079 080-087 088-095 096-103 104-111 112-119 120-127 128-135 136-143 144-151 152-159 160-167 168-175 176-183 184-191 192-199 200-207 208-215 216-223 224-231 232-239 240-247 248-255	LINE_MACRO Null Macro Effect 1 Macro Effect 2 Macro Effect 3 Macro Effect 4 Macro Effect 5 Macro Effect 6 Macro Effect 7 Macro Effect 8 Macro Effect 9 Macro Effect 10 Macro Effect 11 Macro Effect 12 Macro Effect 13 Macro Effect 14 Macro Effect 15 Macro Effect 16 Macro Effect 17 Macro Effect 18 Macro Effect 19 Macro Effect 20 Macro Effect 21 Macro Effect 22 Macro Effect 23 Macro Effect 24 Macro Effect 25 Macro Effect 26 Macro Effect 27 Macro Effect 28 Macro Effect 29 Macro Effect 30 Macro Effect 31
39	000 001-127 128 129-255	LINE_MACRO SPEED Null Slow to Fast without Fade Null Slow to Fast with Fade

97 Channels (Mode 3):

CHANNEL	VALUE	FUNCTION
1	000-255	PAN 0°→540°
2	000-255	PAN FINE
3	000-255	TILT 0°→450°
4	000-255	TILT FINE
5	000-127 128-189 190-193 194-255	PAN INFINITY Null Counter-Clockwise Rotation, Fast to Slow Stop Clockwise Rotation, Slow to Fast
6	000-127 128-189 190-193 194-255	TILT INFINITY Null Clockwise Rotation, Fast to Slow Stop Counter-Clockwise Rotation, Slow to Fast
7	000-255	PAN/TILT SPEED Fast to Slow
8	000-255	ZOOM Wide→Narrow
9	000-255	WASH_DIMMER 0%→100%
10	000-255	WASH_DIMMER FINE
11	000-007 008-015 016-131 132-139 140-181 182-189 190-231 232-239 240-247 248-255	WASH_STROBE Close Open Strobe from Slow to Fast Open Fast Open Slow Close from Slow to Fast Open Fast Close Slow Open from Slow to Fast Open Random Strobe from Slow to Fast Open
12	000-255	BEAM_DIMMER 0%→100%
13	000-255	BEAM_DIMMER FINE
14	000-007 008-015 016-131	BEAM_STROBE Close Open Strobe from Slow to Fast

	132-139 140-181 182-189 190-231 232-239 240-247 248-255	Open Fast Open Slow Close from Slow to Fast Open Fast Close Slow Open from Slow to Fast Open Random Strobe from Slow to Fast Open
15	000-255	ZONE_DIMMER 0%→100%
16	000-255	ZONE_DIMMER FINE
17	000-007 008-015 016-131 132-139 140-181 182-189 190-231 232-239 240-247 248-255	ZONE_STROBE Close Open Strobe from Slow to Fast Open Fast Open Slow Close from Slow to Fast Open Fast Close Slow Open from Slow to Fast Open Random Strobe from Slow to Fast Open
18	000-255	LINE_DIMMER 0%→100%
19	000-255	LINE_DIMMER FINE
20	000-007 008-015 016-131 132-139 140-181 182-189 190-231 232-239 240-247 248-255	LINE_STROBE Close Open Strobe from Slow to Fast Open Fast Open Slow Close from Slow to Fast Open Fast Close Slow Open from Slow to Fast Open Random Strobe from Slow to Fast Open
21	000-009 010-019 020-029 030-039 040-049 050-059 060-069 070-079 080-089 090-099	SPECIAL FUNCTION Null Zoom Mode: Short Zoom Mode: Long Dimmer Curve: Linear Dimmer Curve: Square law Dimmer Curve: Inv SQ law Dimmer Curve: S Curve Null Power Mode: Auto Power Mode: Quiet

	100-109	Led Frequency Setting Enable
	110-119	Led Frequency Setting Disable
	120-122	Null
	123	900Hz
	124	1000Hz
	125	1100Hz
	126	1200Hz
	127	1300Hz
	128	1400Hz
	129	1500Hz
	130	2500Hz
	131	4000Hz
	132	5000Hz
	133	6000Hz
	134	10KHz
	135	15KHz
	136	20KHz
	137	25KHz
	138-139	Null
	140-149	Pan/Tilt Reset
	150-159	Effect Reset
	160-169	Null
	170-179	Null
	180-189	Null
	190-199	Null
	200-209	Reset All
	210-219	Dimmer Speed: Fast
	220-229	Dimmer Speed: Smooth
	230-239	Line Power Mode: Off
	240-249	Line Power Mode: On
	250-255	No Function
22	000-255	WASH_RED 1 0%→100%
23	000-255	WASH_GREEN 1 0%→100%
24	000-255	WASH_BLUE 1 0%→100%
25	000-255	WASH_WHITE 1 0%→100%
26	000-255	WASH_RED 2 0%→100%
27	000-255	WASH_GREEN 2 0%→100%
28	000-255	WASH_BLUE 2 0%→100%
29		WASH_WHITE 2

	000-255	0%→100%
30	000-255	WASH_RED 3 0%→100%
31	000-255	WASH_GREEN 3 0%→100%
32	000-255	WASH_BLUE 3 0%→100%
33	000-255	WASH_WHITE 3 0%→100%
34	000-255	WASH_RED 4 0%→100%
35	000-255	WASH_GREEN 4 0%→100%
36	000-255	WASH_BLUE 4 0%→100%
37	000-255	WASH_WHITE 4 0%→100%
38	000-255	BEAM_WHITE 1 0%→100%
39	000-255	BEAM_WHITE 2 0%→100%
40	000-255	BEAM_WHITE 3 0%→100%
41	000-255	BEAM_WHITE 4 0%→100%
42	000-255	BEAM_WHITE 5 0%→100%
43	000-255	BEAM_WHITE 6 0%→100%
44	000-255	BEAM_WHITE 7 0%→100%
45	000-255	BEAM_WHITE 8 0%→100%
46	000-255	BEAM_WHITE 9 0%→100%
47	000-255	ZONE_RED 1 0%→100%
48	000-255	ZONE_GREEN 1 0%→100%
49	000-255	ZONE_BLUE 1 0%→100%
50	000-255	ZONE_RED 2 0%→100%

51	000-255	ZONE_GREEN 2 0%→100%
52	000-255	ZONE_BLUE 2 0%→100%
53	000-255	ZONE_RED 3 0%→100%
54	000-255	ZONE_GREEN 3 0%→100%
55	000-255	ZONE_BLUE 3 0%→100%
56	000-255	ZONE_RED 4 0%→100%
57	000-255	ZONE_GREEN 4 0%→100%
58	000-255	ZONE_BLUE 4 0%→100%
59	000-255	ZONE_RED 5 0%→100%
60	000-255	ZONE_GREEN 5 0%→100%
61	000-255	ZONE_BLUE 5 0%→100%
62	000-255	ZONE_RED 6 0%→100%
63	000-255	ZONE_GREEN 6 0%→100%
64	000-255	ZONE_BLUE 6 0%→100%
65	000-255	ZONE_RED 7 0%→100%
66	000-255	ZONE_GREEN 7 0%→100%
67	000-255	ZONE_BLUE 7 0%→100%
68	000-255	ZONE_RED 8 0%→100%
69	000-255	ZONE_GREEN 8 0%→100%
70	000-255	ZONE_BLUE 8 0%→100%
71	000-255	ZONE_RED 9 0%→100%
72	000-255	ZONE_GREEN 9 0%→100%

73	000-255	ZONE_BLUE 9 0%→100%
74	000-255	LINE_WHITE 1 0%→100%
75	000-255	LINE_WHITE 2 0%→100%
76	000-255	LINE_WHITE 3 0%→100%
77	000-255	LINE_WHITE 4 0%→100%
78	000-255	LINE_WHITE 5 0%→100%
79	000-255	LINE_WHITE 6 0%→100%
80	000-255	LINE_WHITE 7 0%→100%
81	000-255	LINE_WHITE 8 0%→100%
82	000-255	LINE_WHITE 9 0%→100%
83	000-255	LINE_WHITE 10 0%→100%
84	000-255	LINE_WHITE 11 0%→100%
85	000-255	LINE_WHITE 12 0%→100%
86	000-255	LINE_WHITE 13 0%→100%
87	000-255	LINE_WHITE 14 0%→100%
88	000-255	LINE_WHITE 15 0%→100%
89	000-255	LINE_WHITE 16 0%→100%
90	000-255	LINE_WHITE 17 0%→100%
91	000-255	LINE_WHITE 18 0%→100%
92	000-255	LINE_WHITE 19 0%→100%
93	000-255	LINE_WHITE 20 0%→100%
94	000-255	LINE_WHITE 21 0%→100%

95	000-255	LINE_WHITE 22 0%→100%
96	000-255	LINE_WHITE 23 0%→100%
97	000-255	LINE_WHITE 24 0%→100%

21+ Channels (Mode 4):

CHANNEL	VALUE	FUNCTION
Controlled by DMX		
1	000-255	PAN 0°→540°
2	000-255	PAN FINE
3	000-255	TILT 0°→450°
4	000-255	TILT FINE
5	000-127 128-189 190-193 194-255	PAN INFINITY Null Counter-Clockwise Rotation, Fast to Slow Stop Clockwise Rotation, Slow to Fast
6	000-127 128-189 190-193 194-255	TILT INFINITY Null Clockwise Rotation, Fast to Slow Stop Counter-Clockwise Rotation, Slow to Fast
7	000-255	PAN/TILT SPEED Fast to Slow
8	000-255	ZOOM Wide→Narrow
9	000-255	WASH_DIMMER 0%→100%
10	000-255	WASH_DIMMER FINE
11	000-007 008-015 016-131 132-139 140-181 182-189 190-231 232-239	WASH_STROBE Close Open Strobe from Slow to Fast Open Fast Open Slow Close from Slow to Fast Open Fast Close Slow Open from Slow to Fast Open

	240-247 248-255	Random Strobe from Slow to Fast Open
12	000-255	BEAM_DIMMER 0%→100%
13	000-255	BEAM_DIMMER FINE
14	000-007 008-015 016-131 132-139 140-181 182-189 190-231 232-239 240-247 248-255	BEAM_STROBE Close Open Strobe from Slow to Fast Open Fast Open Slow Close from Slow to Fast Open Fast Close Slow Open from Slow to Fast Open Random Strobe from Slow to Fast Open
15	000-255	ZONE_DIMMER 0%→100%
16	000-255	ZONE_DIMMER FINE
17	000-007 008-015 016-131 132-139 140-181 182-189 190-231 232-239 240-247 248-255	ZONE_STROBE Close Open Strobe from Slow to Fast Open Fast Open Slow Close from Slow to Fast Open Fast Close Slow Open from Slow to Fast Open Random Strobe from Slow to Fast Open
18	000-255	LINE_DIMMER 0%→100%
19	000-255	LINE_DIMMER FINE
20	000-007 008-015 016-131 132-139 140-181 182-189 190-231 232-239 240-247 248-255	LINE_STROBE Close Open Strobe from Slow to Fast Open Fast Open Slow Close from Slow to Fast Open Fast Close Slow Open from Slow to Fast Open Random Strobe from Slow to Fast Open

21		SPECIAL FUNCTION
	000-009	Null
	010-019	Zoom Mode: Short
	020-029	Zoom Mode: Long
	030-039	Dimmer Curve: Linear
	040-049	Dimmer Curve: Square law
	050-059	Dimmer Curve: Inv SQ law
	060-069	Dimmer Curve: S Curve
	070-079	Null
	080-089	Power Mode: Auto
	090-099	Power Mode: Quiet
	100-109	Led Frequency Setting Enable
	110-119	Led Frequency Setting Disable
	120-122	Null
	123	900Hz
	124	1000Hz
	125	1100Hz
	126	1200Hz
	127	1300Hz
	128	1400Hz
	129	1500Hz
	130	2500Hz
	131	4000Hz
	132	5000Hz
	133	6000Hz
134	10KHz	
135	15KHz	
136	20KHz	
137	25KHz	
138-139	Null	
140-149	Pan/Tilt Reset	
150-159	Effect Reset	
160-169	Null	
170-179	Null	
180-189	Null	
190-199	Null	
200-209	Reset All	
210-219	Dimmer Speed: Fast	
220-229	Dimmer Speed: Smooth	
230-239	Line Power Mode: Off	
240-249	Line Power Mode: On	
250-255	No Function	
Controlled by Art-Net		
1	000-255	WASH_RED 1 0%→100%
2	000-255	WASH_GREEN 1 0%→100%

3	000-255	WASH_BLUE 1 0%→100%
4	000-255	WASH_WHITE 1 0%→100%
5	000-255	WASH_RED 2 0%→100%
6	000-255	WASH_GREEN 2 0%→100%
7	000-255	WASH_BLUE 2 0%→100%
8	000-255	WASH_WHITE 2 0%→100%
9	000-255	WASH_RED 3 0%→100%
10	000-255	WASH_GREEN 3 0%→100%
11	000-255	WASH_BLUE 3 0%→100%
12	000-255	WASH_WHITE 3 0%→100%
13	000-255	WASH_RED 4 0%→100%
14	000-255	WASH_GREEN 4 0%→100%
15	000-255	WASH_BLUE 4 0%→100%
16	000-255	WASH_WHITE 4 0%→100%
17	000-255	BEAM_WHITE 1 0%→100%
18	000-255	BEAM_WHITE 2 0%→100%
19	000-255	BEAM_WHITE 3 0%→100%
20	000-255	BEAM_WHITE 4 0%→100%
21	000-255	BEAM_WHITE 5 0%→100%
22	000-255	BEAM_WHITE 6 0%→100%
23	000-255	BEAM_WHITE 7 0%→100%
24	000-255	BEAM_WHITE 8 0%→100%

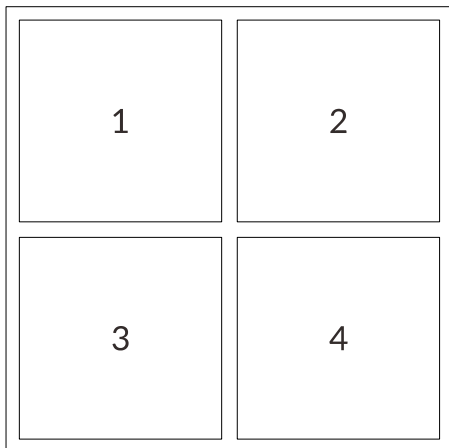
25	000-255	BEAM_WHITE 9 0%→100%
26	000-255	ZONE_RED 1 0%→100%
27	000-255	ZONE_GREEN 1 0%→100%
28	000-255	ZONE_BLUE 1 0%→100%
29	000-255	ZONE_RED 2 0%→100%
30	000-255	ZONE_GREEN 2 0%→100%
31	000-255	ZONE_BLUE 2 0%→100%
32	000-255	ZONE_RED 3 0%→100%
33	000-255	ZONE_GREEN 3 0%→100%
34	000-255	ZONE_BLUE 3 0%→100%
35	000-255	ZONE_RED 4 0%→100%
36	000-255	ZONE_GREEN 4 0%→100%
37	000-255	ZONE_BLUE 4 0%→100%
38	000-255	ZONE_RED 5 0%→100%
39	000-255	ZONE_GREEN 5 0%→100%
40	000-255	ZONE_BLUE 5 0%→100%
41	000-255	ZONE_RED 6 0%→100%
42	000-255	ZONE_GREEN 6 0%→100%
43	000-255	ZONE_BLUE 6 0%→100%
44	000-255	ZONE_RED 7 0%→100%
45	000-255	ZONE_GREEN 7 0%→100%
46	000-255	ZONE_BLUE 7 0%→100%

47	000-255	ZONE_RED 8 0%→100%
48	000-255	ZONE_GREEN 8 0%→100%
49	000-255	ZONE_BLUE 8 0%→100%
50	000-255	ZONE_RED 9 0%→100%
51	000-255	ZONE_GREEN 9 0%→100%
52	000-255	ZONE_BLUE 9 0%→100%
53	000-255	LINE_WHITE 1 0%→100%
54	000-255	LINE_WHITE 2 0%→100%
55	000-255	LINE_WHITE 3 0%→100%
56	000-255	LINE_WHITE 4 0%→100%
57	000-255	LINE_WHITE 5 0%→100%
58	000-255	LINE_WHITE 6 0%→100%
59	000-255	LINE_WHITE 7 0%→100%
60	000-255	LINE_WHITE 8 0%→100%
61	000-255	LINE_WHITE 9 0%→100%
62	000-255	LINE_WHITE 10 0%→100%
63	000-255	LINE_WHITE 11 0%→100%
64	000-255	LINE_WHITE 12 0%→100%
65	000-255	LINE_WHITE 13 0%→100%
66	000-255	LINE_WHITE 14 0%→100%
67	000-255	LINE_WHITE 15 0%→100%
68	000-255	LINE_WHITE 16 0%→100%

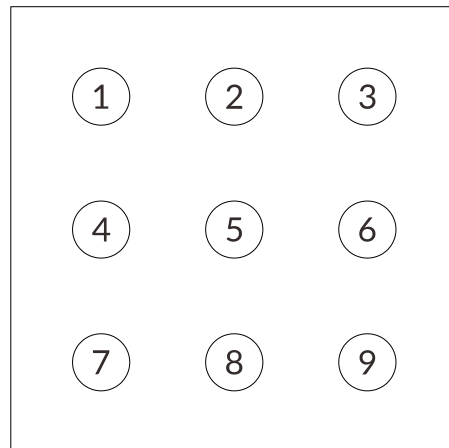
69	000-255	LINE_WHITE 17 0%→100%
70	000-255	LINE_WHITE 18 0%→100%
71	000-255	LINE_WHITE 19 0%→100%
72	000-255	LINE_WHITE 20 0%→100%
73	000-255	LINE_WHITE 21 0%→100%
74	000-255	LINE_WHITE 22 0%→100%
75	000-255	LINE_WHITE 23 0%→100%
76	000-255	LINE_WHITE 24 0%→100%

LED PIXEL ZONES:

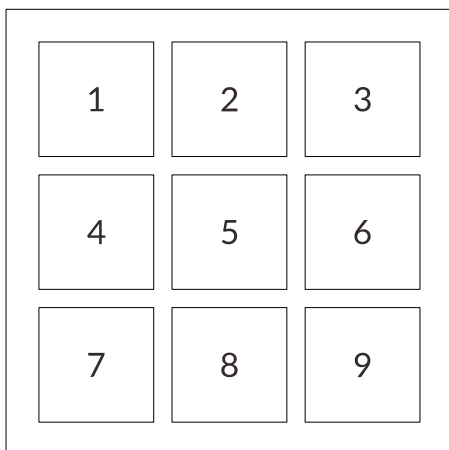
WASH R/G/B/W



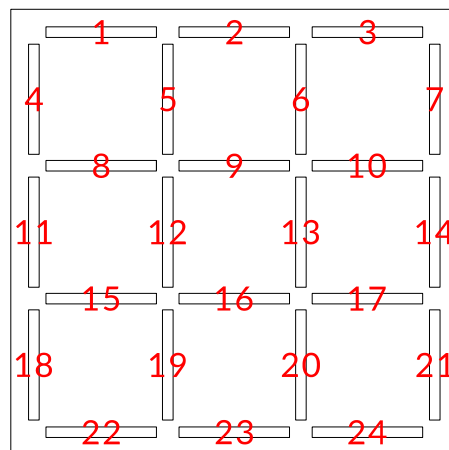
BEAM WHITE



ZONE R/G/B



LINE WHITE



07/ Error Information

Error codes are shown continuously in the display when the fixture fails and they will not disappear until the fixture is repaired.

CPU-B/C/D/E/F Error

Check whether the 485 (DATA) leads on the PCB board are installed in place or disconnected.

Check whether the related 485 (DATA) signal circuit on the PCB board is damaged.

Network Error

Check whether the net model is installed in place.

Check whether the net model is damaged.

Check whether the network is normal.

LED Temp. Error

Check whether the temperature detecting board is normal.

Check whether the components of the temperature detecting board are damaged.

Check whether the lead on the temperature detecting board is installed in place or disconnected.

LED Timeout Use

LED Too Hot Off

When the fixture temperature reaches 85°C, it will automatically turn off to protect the fixture.

Pan Reset Error

Check whether the position of the pan where the magnet is installed falls off or is damaged.

Check whether there are obstacles in the pan operating range.

Check whether the Hall element on the pan is damaged.

Check whether the lead connecting the Hall element on the pan and the PCB board is in poor contact or disconnected.

Check whether the motor on the pan is damaged.

Check whether the related circuit of the motor drive board on the pan is damage.

Pan Encode Error

Check whether the encoder on the pan is damaged.

Check whether the lead connecting the encoder on the pan and the PCB board is in poor contact or disconnected.

Pan Encode No Find

Check whether the lead connecting the encoder on the pan and the PCB board is in poor contact or disconnected.

Pan Encode Disable

Check whether the encoder on the pan is damaged.

Tilt Reset Error

Check whether the position of the tilt where the magnet is installed falls off or is damaged.

Check whether there are obstacles in the tilt operating range.

Check whether the Hall element on the tilt is damaged.

Check whether the lead connecting the Hall element on the tilt and the PCB board is in poor contact or disconnected.

Check whether the motor on the tilt is damaged.

Check whether the related circuit of the motor drive board on the tilt is damaged.

Tilt Encode Error

Check whether the encoder on the tilt is damaged.

Check whether the lead connecting the encoder on the tilt and the PCB board is in poor contact or disconnected.

Tilt Encode No Find

Check whether the lead connecting the encoder on the tilt and the PCB board is in poor contact or disconnected.

Tilt Encode Disable

Check whether the encoder on the tilt is damaged.

Zoom Error

Check whether the position of the zoom where the magnet is installed falls off or is damaged.

Check whether there are obstacles in the zoom operating range.

Check whether the Hall element on the zoom is damaged.

Check whether the lead connecting the Hall element on the zoom and the PCB board is in poor contact or disconnected.

Check whether the motor on the zoom is damaged.

Check whether the related circuit of the motor drive board on the zoom is damage.

Base Fan1 Start Error

Check whether the fan is not running.

Check whether the fan leads are installed in place or disconnected.

Check whether the fan is damaged.

Check whether there are obstacles in the fan operating range.

Head Fan 1/2/3/4 Start Error

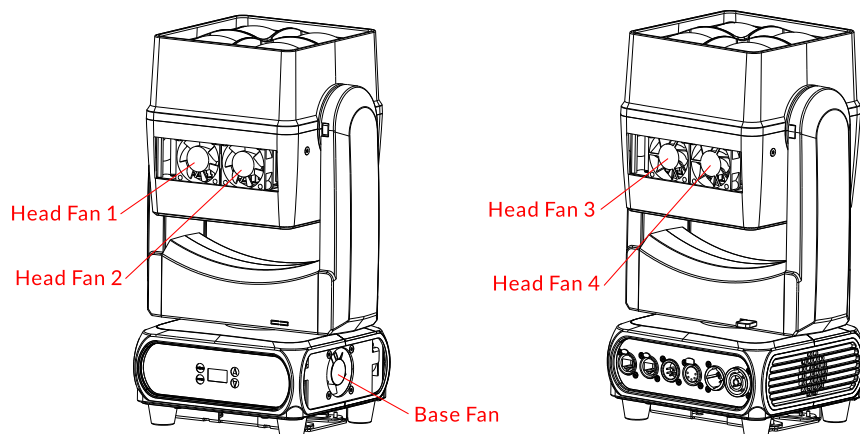
Check whether the fan is not running.

Check whether the fan leads are installed in place or disconnected.

Check whether the fan is damaged.

Check whether there are obstacles in the fan operating range.

The position of each fan of the fixture:



08/ Troubleshooting

Following are a few common problems that may occur during operation. Here are some suggestions for troubleshooting:

A. The unit does not work, no light and the fan does not work

- ▶ Check the connected power.
- ▶ Measure the voltage.
- ▶ Check the power indicator to see whether it can be lit up or not.

B. Not responding to the DMX controller

- ▶ Check whether the DMX connectors and the DMX cables are connected correctly.
- ▶ Check whether the DMX address is correctly set.
- ▶ If the intermittent DMX signal problem occurs, check whether the XLR socket and the signal cable are well connected.
- ▶ Try it with another DMX controller.
- ▶ Check whether the DMX cables run near or alongside to the high-voltage cables, which may damage or interfere with the signal circuit.

C. One of the channels is not working well

- ▶ The stepper motor might be damaged or the cable connected to the PCB might be broken.
- ▶ The motor's drive IC on the PCB might be out of condition.

09/ Fixture Cleaning

It is absolutely essential that the fixture is kept clean to ensure the maximum light-output and allow the fixture to function reliably throughout its life. The fixture must be cleaned regularly to avoid dust, dirt and smoke-fluid residues building up on or within the fixture. The cleaning frequency depends on the application environment. Clean the fixture immediately if the dust enters it to avoid damage to the optical lens due to excessive dust.

- ▶ A soft lint-free cloth moistened with any good glass cleaning fluid is recommended, under no circumstances should solvents be used.
- ▶ Always dry the parts carefully.
- ▶ Clean the external optical lens at least every 20 days.

Declaration of Conformity

We declare that our products (lighting equipments) comply with the following specification and bears CE mark in accordance with the provision of the Electromagnetic Compatibility (EMC) Directive 2014/30/EU.

EN 55032: 2015+A1: 2020; EN 55035: 2017+A11: 2020;
EN IEC 61000-3-2: 2019+A1: 2021;
EN 61000-3-3: 2013+A2: 2021.

&

Harmonized Standard

EN IEC 60598-2-17: 2018;
EN IEC 60598-1: 2021+A11: 2022.
Safety of household and similar electrical appliances
Part 1: General requirements and tests

Certifications

cETLus Approved (Control #5000057)



www.acme.com.cn