

PULSAR S2

CM S2

FEATURES

- With zoom and strobe function
- Beam/Wash section: 4 pcs RGBW LED has pixel control function
- Strobe section: 96 pcs CW LEDs are divided into 24 controllable zones
108 pcs RGB LEDs are divided into 9 controllable zones
- 10W Beam section: 9 pcs CW LEDs are available for pixel control
- Variable CTO: 2,500K-8,000K
- Build-in color macro effect
- Motorized liner zoom system
- Outstanding strobe effect with variable speed
- 0~100% smooth dimming
- Infinity Moving Pan & Tilt



TECHNICAL SPECIFICATIONS

Light Source

- Light Source:
 - Beam/Wash section: 4 x 60W RGBW LED
 - Pixel/Strobe section: 96 x 3W CW LED
 - 108 x 0.5W RGB LED
- 10W Beam section: 9 x 10W CW LED
- Total Lumen Output:
 - Beam/Wash section: 3,427 lm
 - Pixel section:(RGB): 2,326 lm
 - Strobe section(CW): 15,072 lm
 - 10W Beam section: 1,224 lm
- Rated Source Life: up to 20,000 hours*

Optical System

- Beam/Wash section: Beam angle: 2.5°-28°
Field angle: 4.4°-36°
- Pixel section: 115°
- Strobe section: 108°
- 10W Beam section: 3.5°
- Diameter of Front Lens: 70*70 mm

Control and Program

- 4-Button touch panel
- Display: OLED display
- Protocols: DMX512, RDM, Art-Net, sACN
- DMX Protocol modes: 4
- Control channels: 24/39/97/21+76
- Firmware Upgrade: Upgrade via DMX link

Movement

- Pan movement: Infinite
- Tilt movement: Infinite
- Automatic Pan/Tilt position correction
- Moving-head operated with either 16-bit resolution

Electrical and Connectors

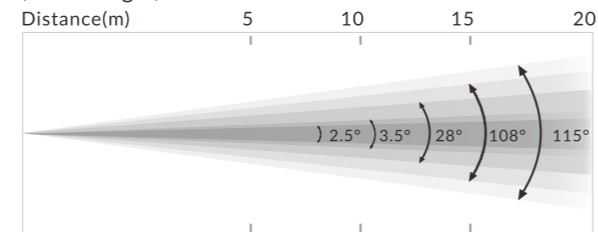
- Input voltage range: 100-240V~ 50/60Hz
- Power consumption: 600 W
- Power In/Out: Power Connector in/out
- Date In/Out: 3 pin or 5 pin XLR In/Out, Art-Net In/Out

Specification

- Fixture Specification: 237 x 176 x 383 mm (9.3" x 6.9" x 15.1")
Weight: 11 kg (24.3lbs)
- Flight Case Dimensions 1: 1,220 x 610 x 640 mm (48" x 24" x 25.2")
Weight: 156 kg (344.0 lbs) (in 8-hole case)
- Flight Case Dimensions 2: 1,055 x 580 x 640 mm (41.5" x 22.8" x 25.2")
Weight: 115 kg (253.5 lbs.) (in 6-hole case)
- Carton Dimensions: 365 x 265 x 480 mm (14.4"x10.4"x18.9")
Weight: 12 kg (26.5 lbs) (in one-pack per carton)

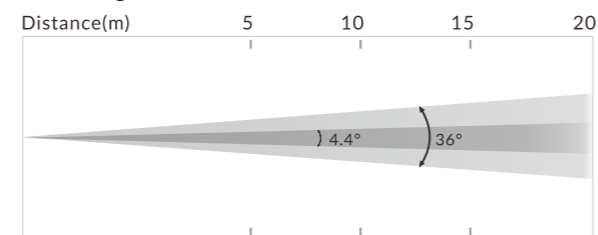
PHOTOMETRICS DIAGRAM

(Beam angle)



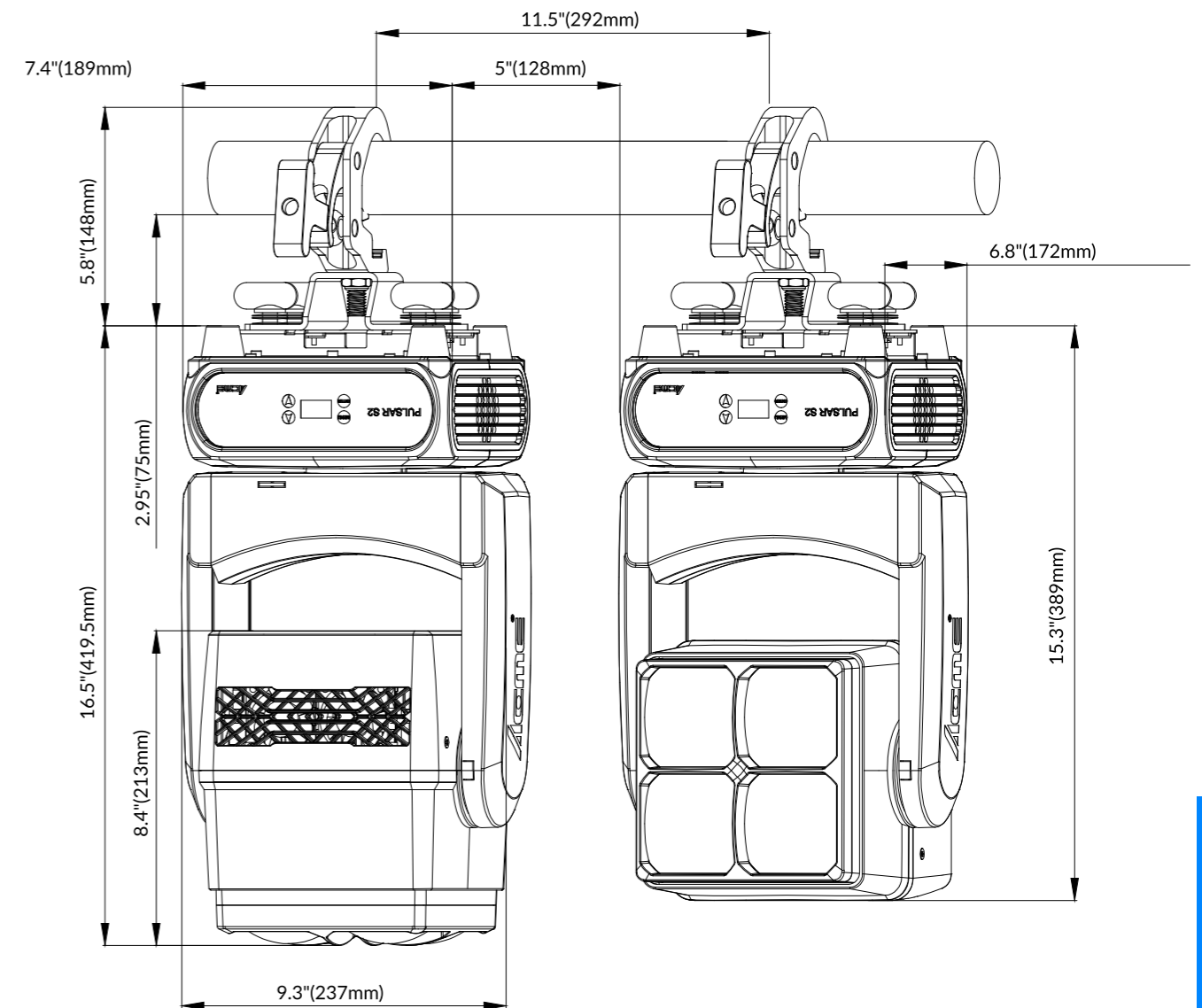
	5	10	15	20
2.5° RGBW Lux	37,640	9,410	3,690	2,353
Diameter(m)	0.22	0.45	0.675	0.9
28° W Lux	940	235	92.2	58.8
Diameter(m)	2.45	4.9	7.35	9.8
3.5° 10W W Lux	20,120	5,030	2,236	1,258
Diameter(m)	0.325	0.65	0.975	1.3
115° RGB Lux	79	19.8	8.8	5
Diameter(m)	15.8	31.5	47.3	63
108° 3W W Lux	390	97.5	43.3	24.4
Diameter(m)	13.7	27.4	41.1	54.8

(Field angle)



	5	10	15	20
4.4° RGBW Lux	37,640	9,410	3,690	2,353
Diameter(m)	0.39	0.78	1.17	1.56
36° RGBW Lux	940	235	92.2	58.8
Diameter(m)	3.25	6.5	9.75	13

DIMENSIONS



(*Light source's working life depends on the cycle ratio of its usage pattern and other environmental factors, such as dust, oil, temperature, humidity, etc.)