

RLS 100

FEATURES

- Light Source: 162 x 0.2W RGB 5050 LED
- Color Temperature: 8,000K
- Filling in thousands of crystal particles, making the light dazzling
- 3 LED Strips, each contains 54 x 0.2W RGB
- Outstanding color changing and mixing effect
- 21 Built-in effects and 2 Random strobing
- Individual Pixel Controllable
- Adding a special seat on top with power and DMX connections for loading another partner fixture. max. weight=15kg
- Smooth dimming from 0-100%

TECHNICAL SPECIFICATIONS

Light Source

- Light Source: 162 x 0.2W RGB 5050 LED
- LED life expectancy: 20,000hours*

Control and Program

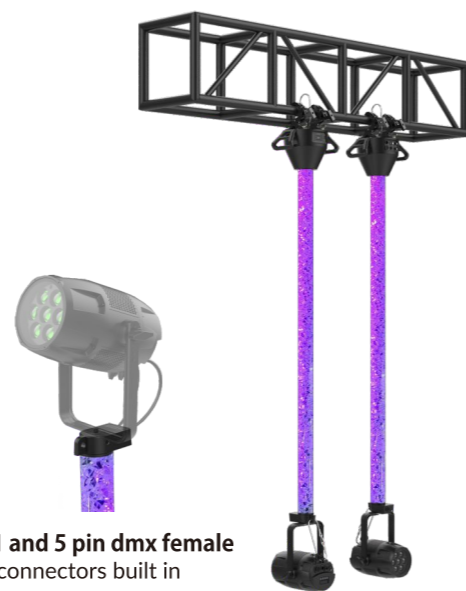
- 4-Button touch panel
- Display: OLED display
- Protocols: DMX512, RDM, Art-Net
- DMX Protocol modes: 3
- Control channels: 10/165/489
- Firmware Upgrade: Upgrade via DMX link or USB disk

Electrical and Connectors

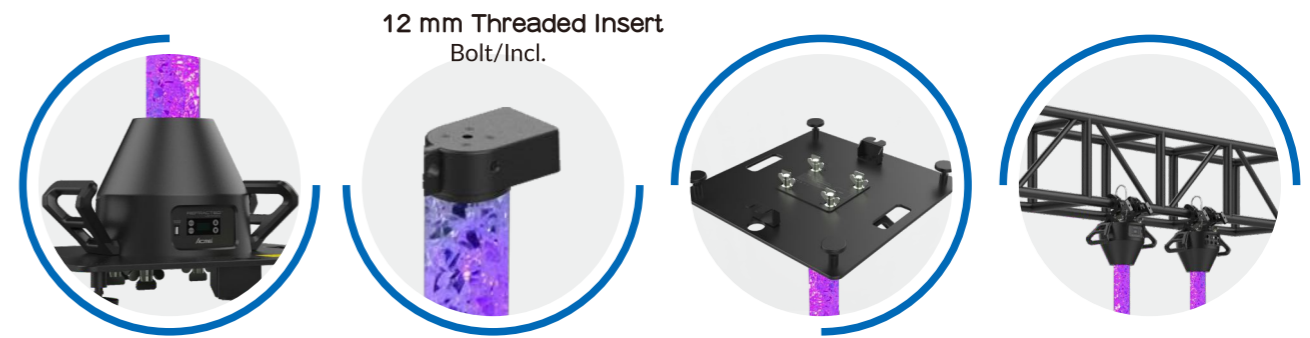
- Input voltage range: 100-240V~ 50/60Hz
- bPower consumption: 28W
- Power In/Out: Power Connector In/Out
- Data in/out: 5-pin XLR, RJ45

Specification

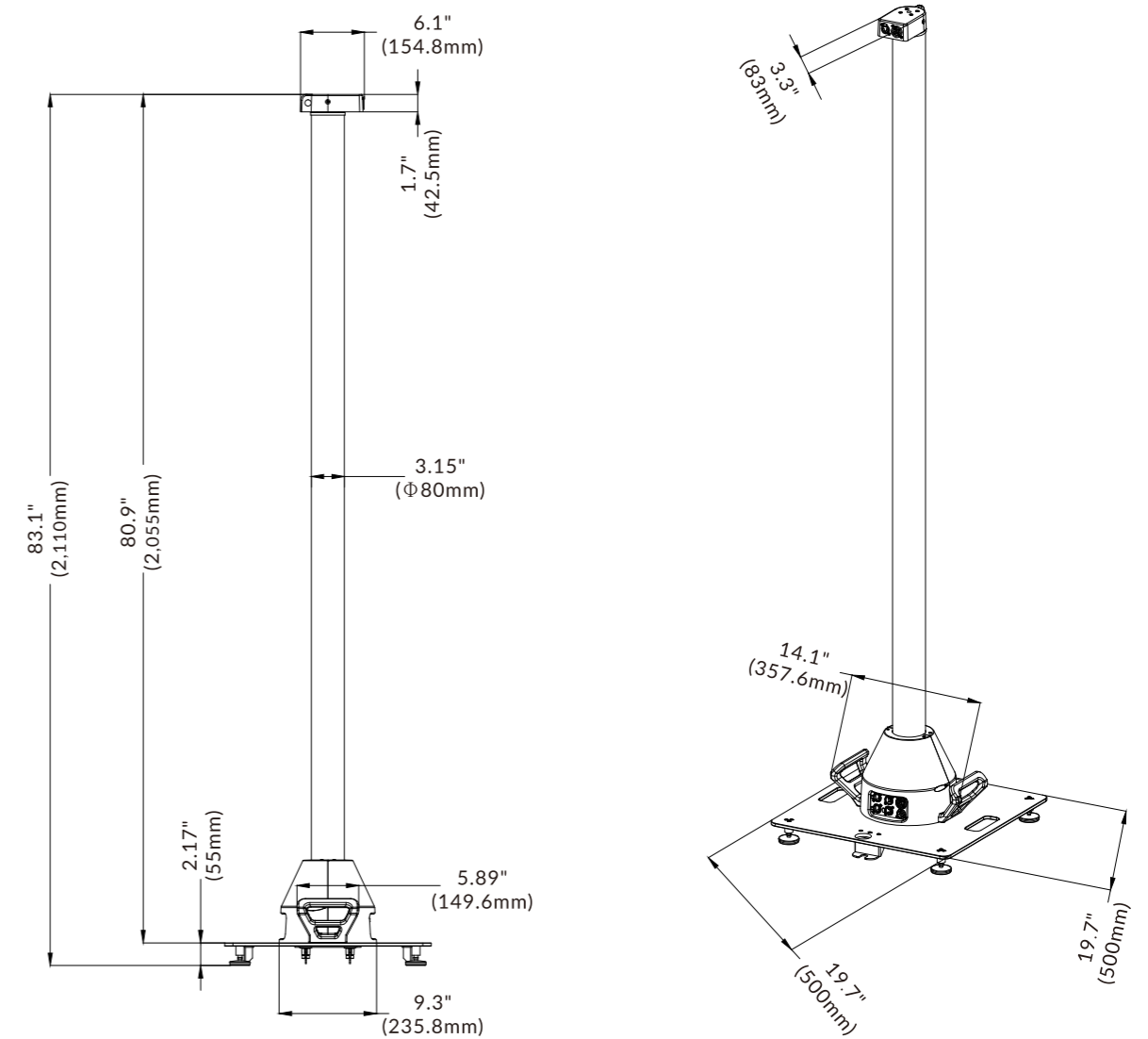
- Fixture Specification: 358 x 236 x 2055 mm (14.1" x 9.3" x 80.9")
Weight: 15.6kg (34.4lbs)
- Grounding Metal Plate Dimensions: 500 x 500 x 55 mm (19.6" x 19.6" x 2.2")
Weight: 15.7kg (34.6lbs)
- Flight Case Dimensions: 2,440 x 610 x 910mm(96" x 24" x 35.8")
Weight: 177kg (390lbs) (quad loader case)



Tru1 and 5 pin dmx female connectors built in



DIMENSIONS



(*Light source's working life depends on the cycle ratio of its usage pattern and other environmental factors, such as dust, oil, temperature, humidity, etc.)

