

SANDANE FROST

PAR 54 IP EF



Light Source

55 x 6W RGBL LED

Total Lumen Output of Fixture

10,000 lumens

Beam Angle

18°, 36°, 53°

Field Angle

37°, 96°, 128°

Protection Rating

IP66



Acme

SANDANE FROST



Main Features

Light Source: 55 x 6W RGBL LED

Total Lumen Output of Fixture: 10,000 lumens

IP66 rated, can be outdoor use all year round

Compact size, light weight, high light efficiency, low energy consumption

Double bracket design, and multiple installation methods are available

Optional half or top hat

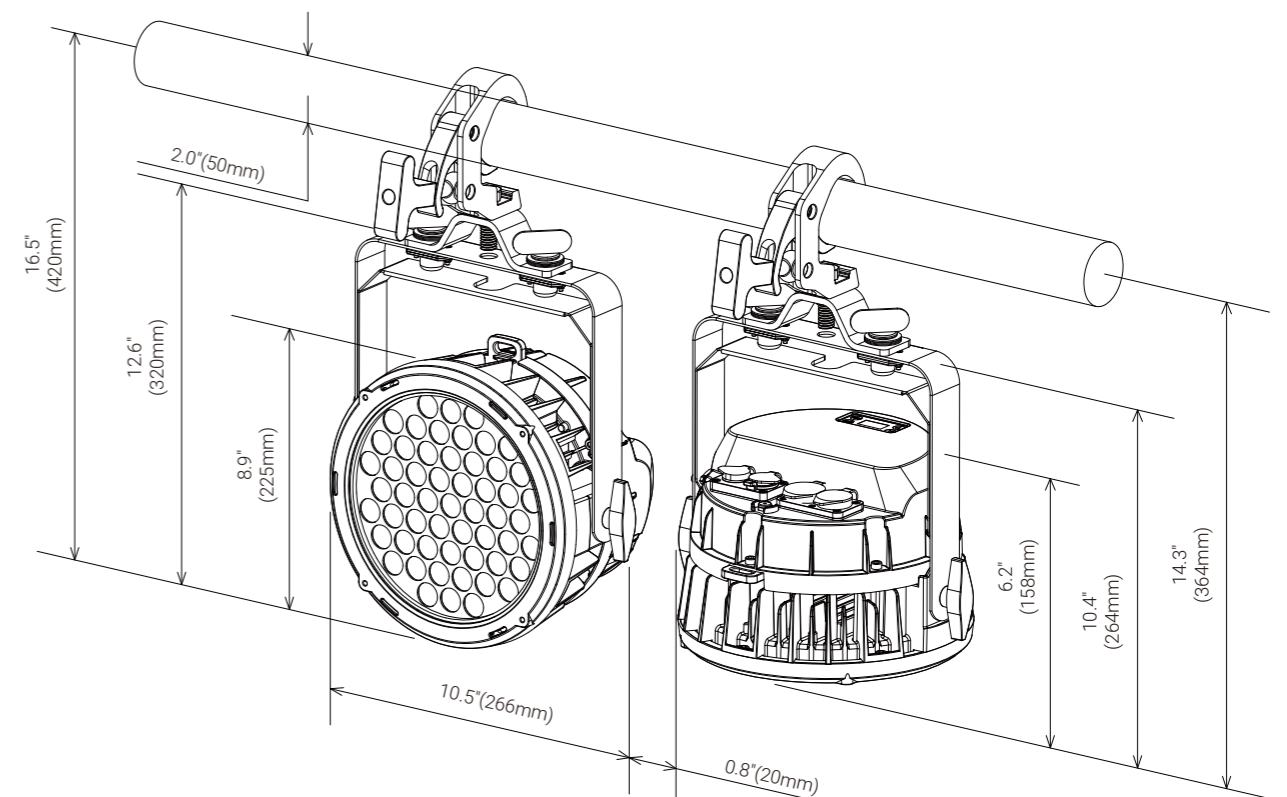
Frost effect for different flood ranges

Variable CTO ranging from 2,500K-8,000K

Smooth dimming 0-100%

Outstanding strobe effect with variable speed

Technical Specifications



Light Source

- Light Source: 55 x 6W RGBL LED
- Color Temperature Output of Fixture: 8,000K
- Total Lumen Output of Fixture: 10,000 lumens
- Life Expectancy: 20,000 hours * manufacturer specification

Optical System

- Beam Angle: 18°, 36°, 53°
- Field Angle: 37°, 96°, 128°

Colors

- CTO Color Correction: 2,500K-8,000K



Other Effects

- Outstanding strobe effect with variable speed
- Smooth dimming 0-100%
- Frost effect for different flood ranges



Frost effect

Control

- 4 touch button control panel
- Display: OLED display
- Operational Modes: DMX control, show mode
- Protocols: DMX512, RDM
- DMX Protocol Modes: 5
- Control Channels: 6/7/8/9/11
- Firmware Upgrade: Upgrade via DMX link

Electrical and Connectors

- Input Voltage Range: 100-240Vac; 50/60Hz
- Power Consumption: 215W
- Power In/Out: Waterproof power connector in/out
- Data In/Out: 5-pin waterproof XLR

Physical Information

- Fixture Dimensions
266 x 158 x 320 mm (10.5" x 6.2" x 12.6")
- Weight: 5.0 kg (11.0 lbs)

Packing Information

- Flight Case Dimensions:
1,220 x 610 x 630 mm (48.0" x 24.0" x 24.8")
Weight: 95.0 kg (209.4 lbs) (eight-pack loader case)
- Carton Dimensions:
405 x 355 x 270 mm (15.9" x 14.0" x 10.6")
Weight: 6.5 kg (14.3 lbs) (one-pack loader carton)

Work Environment

- Maximum Ambient Temperature: 40°C
- Minimum Operating Temperature: -10°C
- Maximum Surface Temperature: 65°C
- Protection Rating: IP66

Installation

- Horizontally or vertically mounting
- Universal working position
- Dual mounting bracket (with omega bracket and clamp)
- Safety cable attachment point

Optional Hat Shield And Barndoor

1.Full Size Top Hat Shield



2.Half Size Half Hat Shield



3.Indoors Barndoor

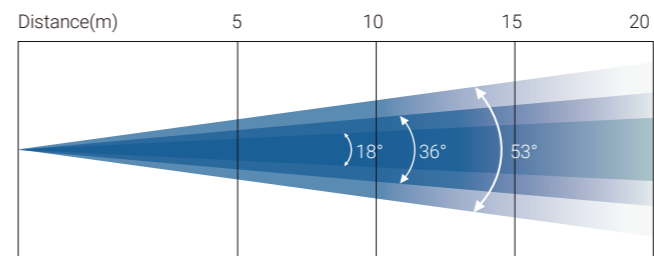


4.Outdoors Barndoor



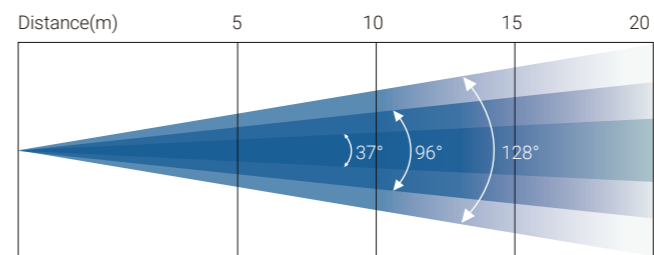
Photometric (Images)

Beam Angle:



18° RGBL Lux	1,514	379	168	95
Diameter(m)	1.6	3.2	4.9	6.5
36° RGBL Lux	215	54	24	13
Diameter(m)	3.3	6.5	9.8	13.0
53° RGBL Lux	125	31	19	8
Diameter(m)	5.0	9.9	15.0	19.8

Field Angle:



37° RGBL Lux	1,514	379	168	95
Diameter(m)	3.4	6.7	10.1	13.5
96° RGBL Lux	215	54	24	13
Diameter(m)	11.1	22.2	33.2	44.3
128° RGBL Lux	125	31	19	8
Diameter(m)	20.4	40.7	61.1	81.4



Specifications subject to change without notice.