

SCORPIUS

XP 550 BEAM IP

FEATURES

- Colour mixing: Linear CMY color mixing
- Color Temperature output: 6,700K
- Variable CTO :from 3,200 k to 6,700K with linear-gradient
- Rainbow effect
- Diameter of front lens: 230mm
- Color Wheel: 1 color wheel with 14 colors plus white
- Static gobo Wheel: 1 static gobo wheel with 18 gobos plus open
- Rotating gobo wheel: 1 rotating gobo wheel with 7 gobos plus open, convenient replacement
- Prism: 8-facet prism + 6-facet linear prism, rotatable in both directions and overlayable
- 0~100% smooth dimming
- Motorized focus
- Outstanding strobe effect with variable speed
- Independent frost effect
- IP66 protection rating, can be used outdoors all year round
- Flicker free management
- Dust-proof and oil-proof design



TECHNICAL SPECIFICATIONS

Specifications

- Light Source: Philips MSD Platinum 500L Flex
- Bulb life expectancy: 4,000 hours*
- Beam Angle: 1.8°

Control

- DMX Channel: 23/17 channels
- Protocols: DMX512, RDM, Wireless (optional)
- Firmware Upgrade via DMX link

Pan/Tilt

- Pan/Tilt movement: 540°/ 260°
- Pan/Tilt Resolution: 16-bit
- Fixation: Pan/Tilt lock

Construction

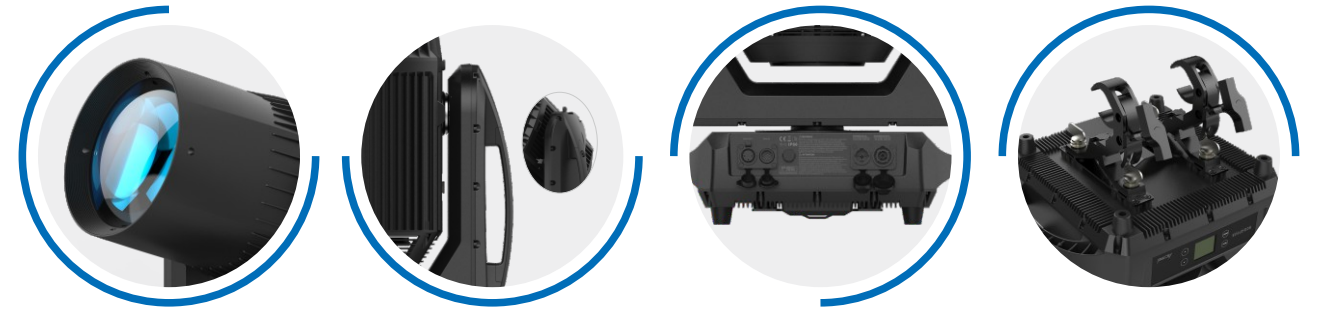
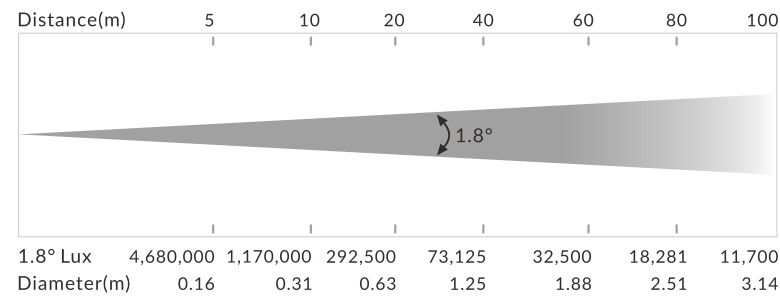
- Display: LCD display
- Data In/Out: 3-pin or 5-pin IP XLR
- Power In/Out: Waterproof Power Connector in/out
- Protection Rating: IP66

Electrical and Physical

- Input Voltage Range: 100-240V~ 50/60Hz
- Power Consumption: 780W
- Dimensions: 499 x 330 x 794 mm(19.6"x13"x31.3")
- F/C Specification: 715 x 595 x 905 mm((28.1"x23.4"x35.6"))
- Weight: 42.5 kg(93.7 lbs)
- 90.5 kg (200 lbs)(include F/C, single loader case)

(*Light source's working life depends on the cycle ratio of its usage pattern and other environmental factors, such as dust, oil, temperature, humidity, etc.)

PHOTOMETRICS DIAGRAM

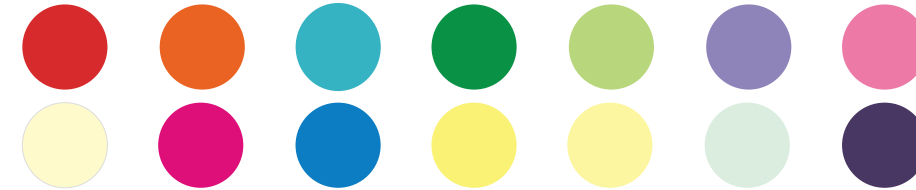


FUNCTIONAL EFFECT

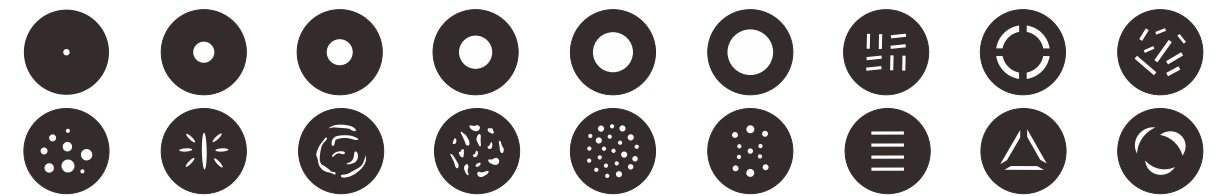
CMY+CTO



Color Wheel



Static Gobo Wheel



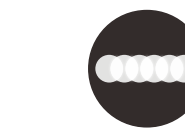
Rotating Gobo Wheel



8-Facet Prism



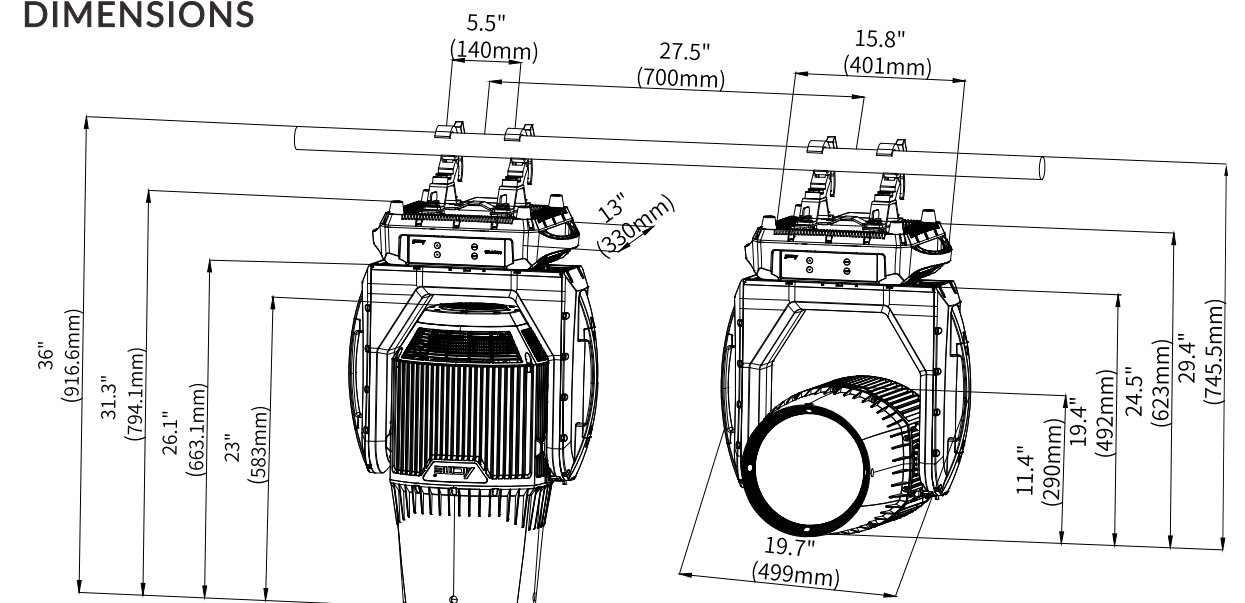
6-Facet Linear Prism



Frost Filter



DIMENSIONS



EXTERIOR / OUTDOOR

EXTERIOR / OUTDOOR