

# SOLAR WIND

## XA 500 BSW

### FEATURES

- 500W 8,000K White LED Engine with 165 mm frontal lens for dramatic performance
- Beam Angle: 3°-50°
- Dual output modes at your hand
- Standard Mode: Ra>70, 16,000lm; HCRI Mode: Ra>90, 11,500lm
- High Brightness: 193,800 lx @ 5m
- Variable CTO Flags(2,700-7,000K) and CMY Filters easily switching
- Color Wheel: 6 colors, 1 HCRI Filter, 1 CTB Filter, plus open
- Static Gobo Wheel: 13 gobos plus open
- Rotating Gobo Wheel: 7 indexable and interchangeable gobos
- Animation Wheel: 1 graphic animation wheel rotating in both directions at variable speed and can be changed into other wheels
- Dual Prisms and Dual Frost Filters for more dynamic effects
- Flicker Free Management: 900Hz-25,000Hz



### TECHNICAL SPECIFICATIONS

#### Light Source

- Light Source: 500W 8,000K LED Engine
- Color Temperature Output: 7,000K
- Total Lumen Output(Ra>70): 16,000lm
- HCRI Mode Output(Ra>90): 11,500lm
- Rated Source Life: up to 20,000 hours\*

#### Optical System

- Beam Angle: 3°-50°
- Diameter of Front Lens: 165mm

#### Control and Program

- Display: LCD display
- Protocols: DMX512, RDM, Art-Net, sACN
- Control channels: 30/24
- Firmware Upgrade: Upgrade via DMX link or USB disk

#### Movement

- Pan movement: 540°
- Tilt movement: 260°
- Automatic Pan/Tilt position correction
- Fixation: Pan/ Tilt lock

#### Electrical and Connectors

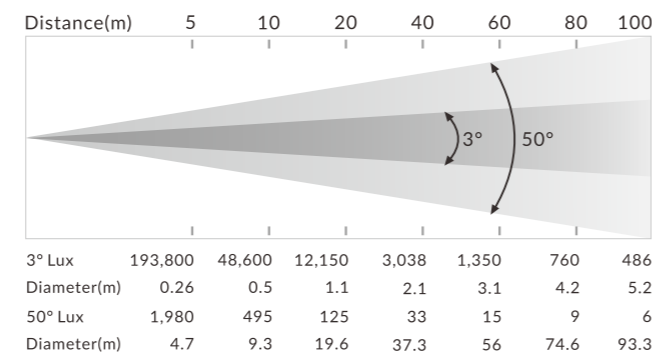
- Input voltage range: 100-240V~ 50/60Hz
- Power consumption: 665W
- Power In/Out: Power Connector in/out
- Data In/Out: 3-pin or 5-pin XLR, RJ45 connector, USB connector
- Protection rating: IP20

#### Specification

- Fixture Specification: 364 x 252 x 648 mm (14.3" x 9.9" x 25.5")
- Weight: 25.5kg (56.2lbs)
- Flight Case Dimensions: 870 x 580 x 905 mm(34.3" x 22.8" x 35.6")
- Weight: 108.5kg (239.2lbs)(Dual Loader Case)
- Carton Specification: 550 x 480 x 655mm(21.7" x 18.9" x 25.8")
- Weight: 31kg (68.3lbs)(include carton, one-pack per carton)

(\*Light source's working life depends on the cycle ratio of its usage pattern and other environmental factors, such as dust, oil, temperature, humidity, etc.)

### PHOTOMETRICS DIAGRAM



### FUNCTIONAL EFFECT

#### CMY+CTO



#### Color Wheel



#### Static Gobo Wheel



#### Rotating Gobo Wheel



#### Animation Wheel



#### 4-Facet Prism



#### 6-Facet Prism



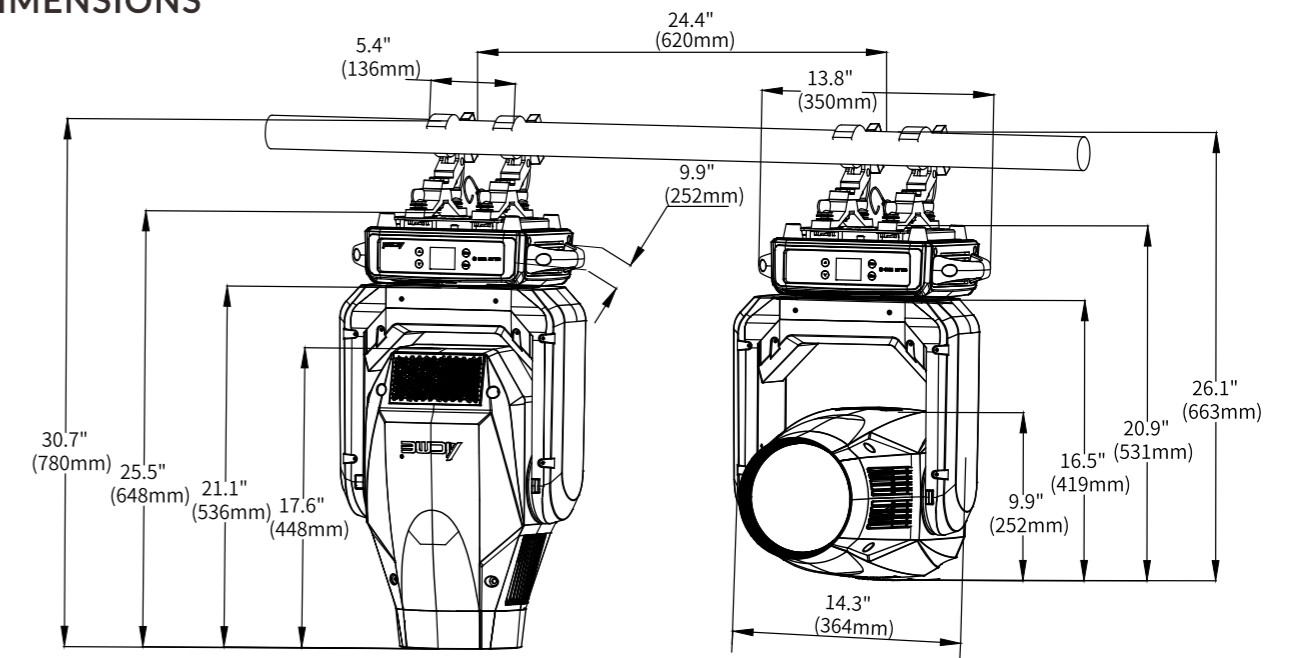
#### Light Frost



#### Heavy Frost



### DIMENSIONS



CONCERT / TOURING

CONCERT / TOURING