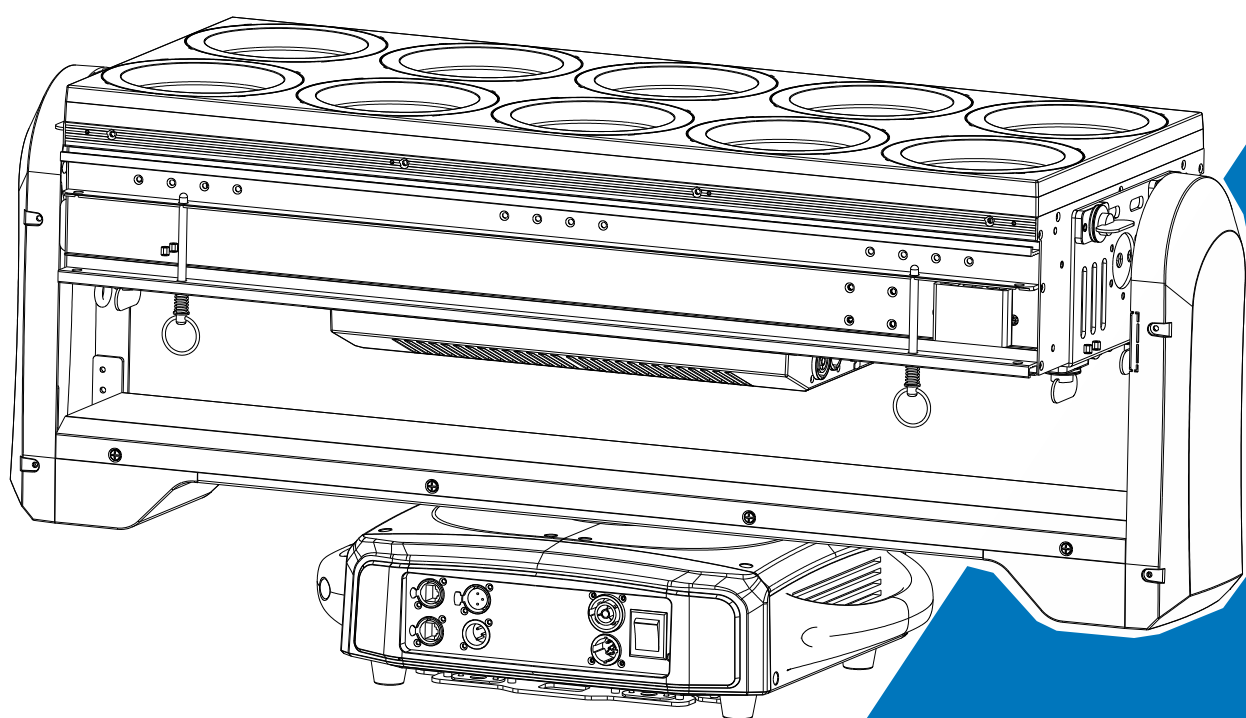


Acme[®]

STORM



User Manual

Please read the instruction carefully before use

CONTENTS

01/ Safety Instructions.....	2
02/ Technical Specifications	6
03/ Control Panel.....	8
04/ Fixture Installation.....	9
05/ How To Set The Unit.....	17
5.1 Main Functions	17
5.2 Home Position Adjustment	31
06/ Control By Universal DMX Controller.....	34
6.1 DMX512 Connection.....	34
6.2 Address Setting.....	35
6.3 DMX512 Configuration	35
07/ Error Information	74
08/ Troubleshooting	77
09/ Fixture Cleaning.....	78

01/ Safety Instructions



Please read the instruction carefully which includes important information about the installation, usage and maintenance.

WARNING

Please keep this User Guide for future consultation. If you sell the unit to another user, be sure that they also receive this instruction manual.

Important:

Damages caused by the disregard of this user manual are not subject to warranty. The dealer will not accept liability for any resulting defects or problems.

- Unpack and check carefully to ensure that there is no transportation damage before using the unit.
- This product is for indoor use only. Use only in a dry location.
- DO install and operate by qualified operator.
- DO NOT allow children to operate the fixture.
- Use safety chain when fixing the unit. Handle the unit by carrying its base instead of head only.
- The unit must be installed in a location with adequate ventilation, at least 50cm from adjacent surfaces.
- Be sure that no ventilation slots is blocked, otherwise the unit will be overheated.
- Before operation, ensure that you are connecting this product to the proper voltage in accordance with the specifications in this manual or on the product's specification label.
- It's important to ground the yellow/green conductor to earth in order to avoid electric shock.
- Minimum ambient temperature TA: 0°C. Maximum ambient temperature TA: 40°C. Do not operate this product at a lower or higher temperature.
- DO NOT connect the device to any dimmer pack.
- Keep flammable materials away from the fixture while operating to avoid fire hazard.
- Make sure the power cord is not crimped or damaged; replace it immediately if damaged.
- Unit's surface temperature may reach up to 65°C. DO NOT touch the housing bare-handed during its operation.
- Avoid any flammable liquids, water or metal from entering the unit. Once it happens, cut

off the mains power immediately.

- DO NOT operate in a dirty or dusty environment. DO clean the fixture regularly.
- DO NOT touch any wire during operation as there might be a hazard of electric shock.
- Avoid entanglement of the power cord with other wires.
- The minimum distance to objects/surface must be more than 0.5 meters.
- In the event of serious operating problem, stop using the unit immediately.
- Never turn on and off the unit time after time.
- The housing, the lenses, or the ultraviolet filter must be replaced if they are visibly damaged.
- DO NOT open the housing as there are no user serviceable parts inside.
- DO NOT attempt to operate this unit if it becomes damaged. DO NOT attempt any repairs yourself. Repairs carried out by unskilled people can lead to damage or malfunction. Please contact the nearest authorized technical assistance center if needed.
- Disconnect this product from its power source before servicing.
- DO use the original packaging if the device is to be transported.
- Avoid direct eye exposure to the light source while the product is on.
- DO NOT operate this product if you see damage on the housing, shields, or cables. Have the damaged parts replaced by an authorized technician at once.

01/ Consignes de sécurité



Veillez lire attentivement les instructions qui contiennent des informations importantes sur l'installation, l'utilisation et l'entretien.

ATTENTION

Veillez conserver ce guide de l'utilisateur pour une consultation future. Si vous vendez l'appareil à un autre utilisateur, assurez-vous qu'il reçoive également ce manuel d'instructions.

Important:

Les dommages causés par le non-respect de ce manuel d'utilisation ne sont pas couverts par la garantie. Le revendeur n'acceptera aucune responsabilité pour les défauts ou problèmes qui en résultent.

- Déballez et vérifiez soigneusement qu'il n'y a pas de dommages dus au transport avant d'utiliser l'appareil.
- Ce produit est destiné à un usage intérieur uniquement. Il doit donc être utilisé uniquement dans un endroit sec.
- L'installation et la mise en fonctionnement doit être effectué par un opérateur qualifié.
- NE PAS permettre aux enfants d'utiliser l'appareil.
- Utilisez une chaîne de sécurité lors de la fixation de l'unité. Manipulez l'appareil en portant sa base au lieu de la tête uniquement.
- L'unité doit être installée dans un endroit avec une ventilation adéquate, à au moins 50cm des surfaces adjacentes.
- Assurez-vous qu'aucune fente d'aération du luminaire n'est obstruée, sinon il risque de surchauffer.
- Avant toute utilisation, assurez-vous que vous connectez ce luminaire à la tension appropriée conformément aux spécifications que vous trouverez dans ce manuel ou sur l'étiquette des spécifications collée sur la base du luminaire.
- Il est important de relier le file jaune/vert à la terre afin d'éviter tout choc électrique.
- Température ambiante minimale TA: 0°C. Température ambiante maximale TA: 40°C. N'utilisez pas ce luminaire à des températures inférieures ou supérieures.
- NE PAS connecter le luminaire à un pack de gradateurs.
- Gardez les matériaux inflammables à l'écart du luminaire pendant le fonctionnement

pour éviter tout risque d'incendie.

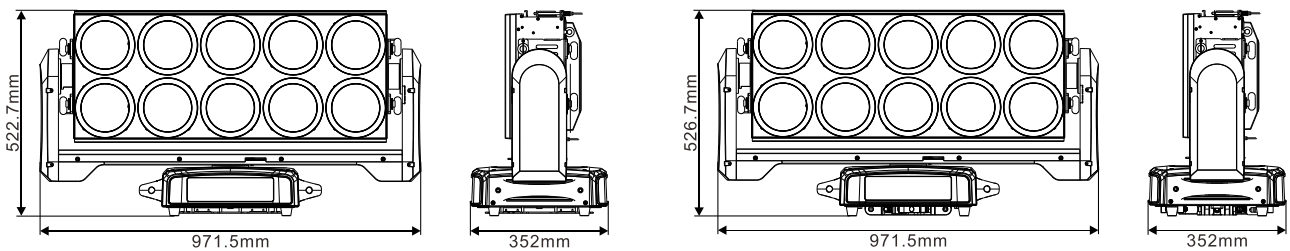
- Assurez-vous que le cordon d'alimentation n'est pas pincé ou endommagé; remplacez-le immédiatement s'il est endommagé.
- La température de surface de l'unité peut atteindre 65°C. NE PAS toucher les capots à mains nues pendant son fonctionnement.
- Évitez que des liquides inflammables, de l'eau ou du métal ne pénètrent dans l'appareil. Si cela se produit, coupez immédiatement l'alimentation secteur.
- NE PAS utiliser le luminaire dans un environnement sale ou poussiéreux. Cette appareil doit être nettoyer régulièrement.
- NE touchez AUCUN file pendant le fonctionnement car il pourrait y avoir un risque de choc électrique.
- Évitez l'enchevêtrement du cordon d'alimentation avec d'autres fils.
- La distance minimale de projection sur des objets ou sur des surfaces doit être supérieure à 0.5 mètres.
- En cas de problème de fonctionnement grave, arrêtez immédiatement d'utiliser l'appareil.
- N'allumez et n'éteignez jamais ce luminaire à maintes reprises.
- Le boîtier, les lentilles ou le filtre ultraviolet doivent être remplacés s'ils sont visiblement endommagés.
- NE PAS ouvrir le boîtier car il ne contient aucune pièce réparable par l'utilisateur.
- NE PAS mettre ce luminaire en fonctionnement s'il est endommagé. N'effectuez pas de réparations vous-même. Les réparations ne doivent être effectuées par des personnes non qualifiées, cela peut entraîner des dommages ou des dysfonctionnements. Veuillez contacter le centre d'assistance technique agréé le plus proche si nécessaire.
- Débranchez ce produit du secteur avant de procéder à l'entretien.
- Utiliser l'emballage d'origine si l'appareil doit être transporté.
- Évitez une exposition directe des yeux à la source lumineuse lorsque le produit est allumé.
- N'utilisez PAS ce produit si vous constatez des dommages sur le boîtier, les blindages ou les câbles. Faites remplacer immédiatement les pièces endommagées par un technicien agréé.

02/ Technical Specifications

Power Voltage	100-240V~ 50/60Hz	
Power Consumption	1025W	
Light Source	10x100W LED	
	10x6x0.5W LED (RGB)	
	10x24x0.5W LED (RGB)	
Field Angle	6°	
Dimmer/Strobe	0-100% smooth dimming; outstanding strobe effect with variable speed	
Movement	Pan	540°
	Tilt	244°
	Pan/Tilt Resolution	16 bit
	Automatic pan/tilt position correction	
	Fixation	Pan/Tilt lock
Control	DMX Channel	16/88/37/100 Channels
	Control Mode	DMX512
		RDM
		Art-Net
		sACN
Firmware Upgrade	Firmware Upgrade via DMX link	
Construction	Display	LCD display
	Battery backup for user setup without mains connection	
	Data In/Out	5-pin XLR (3-pin XLR is optional)
		RJ45 Connector
	Power In/Out	Power Connector in/out
Protection Rating	IP20	

Description for power cord set should be used: Listed SJT flexible cord with rating: 300V, 90°C, 14AWGx3C, molded with 5-15P attachment plug and terminated with cord connector model SAC3FX with rating 250V, 16A by NINGBO HAISHU DISTRICT SEETRONIC ELECTRONIC CO LTD. The power cord shall be at least 914mm (It is to be measured from the face of attachment plug to the face of connector).

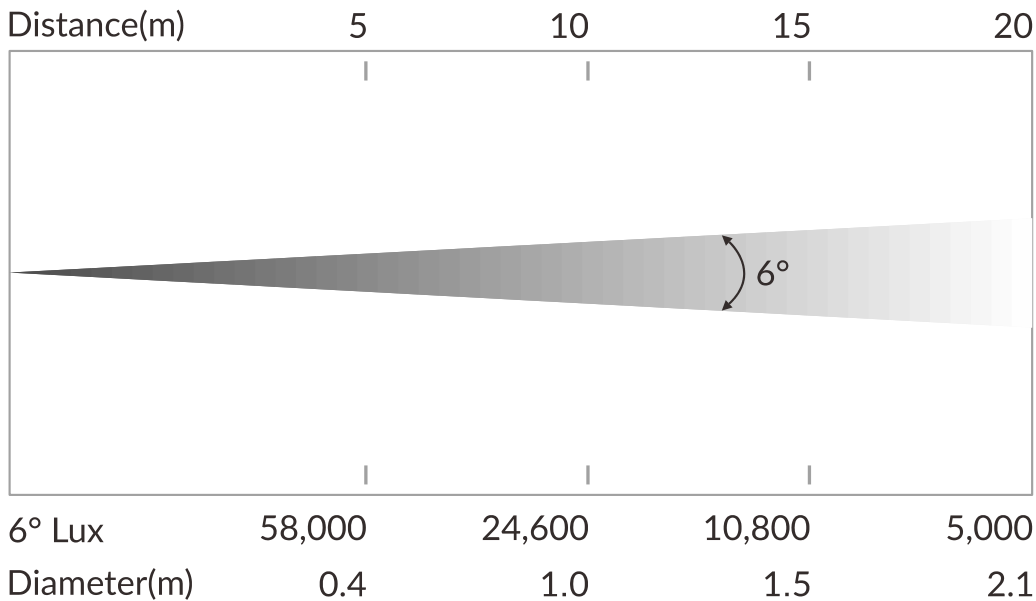
Features	Unique tungsten effect	
	Multi-point surface light and multi-point back light with pixel control and rainbow effect	
	Excellent high output beam with sharp effect	
	High output, low energy consumption, good heat dissipation, long service life	
	Applied to concert, TV stations, variety shows and other professional performance	
	2 x fixed clamps for 50mm truss; Screw holes for installing clamps are reserved for 70mm truss (version with fixed clamps)	
Dimensions	971.5x352x522.7 mm (version with omega bracket holes)	38.2"x13.9"x20.6"
Dimensions	971.5x352x526.7 mm (version with fixed foldable clamps)	38.2"x13.9"x20.7"
Weight	42.1 kg (version with omega bracket holes)	92.8 lbs
Weight	42.9 kg (version with fixed foldable clamps)	94.6 lbs



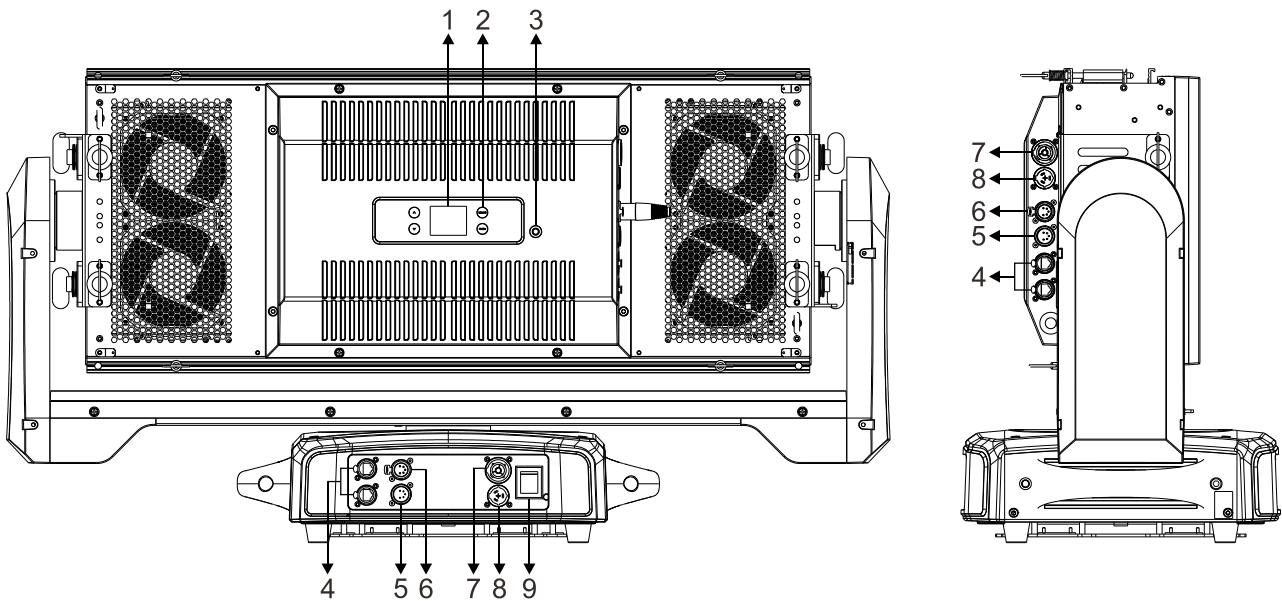
version with omega bracket holes

version with fixed foldable clamps

Photometric Diagram:



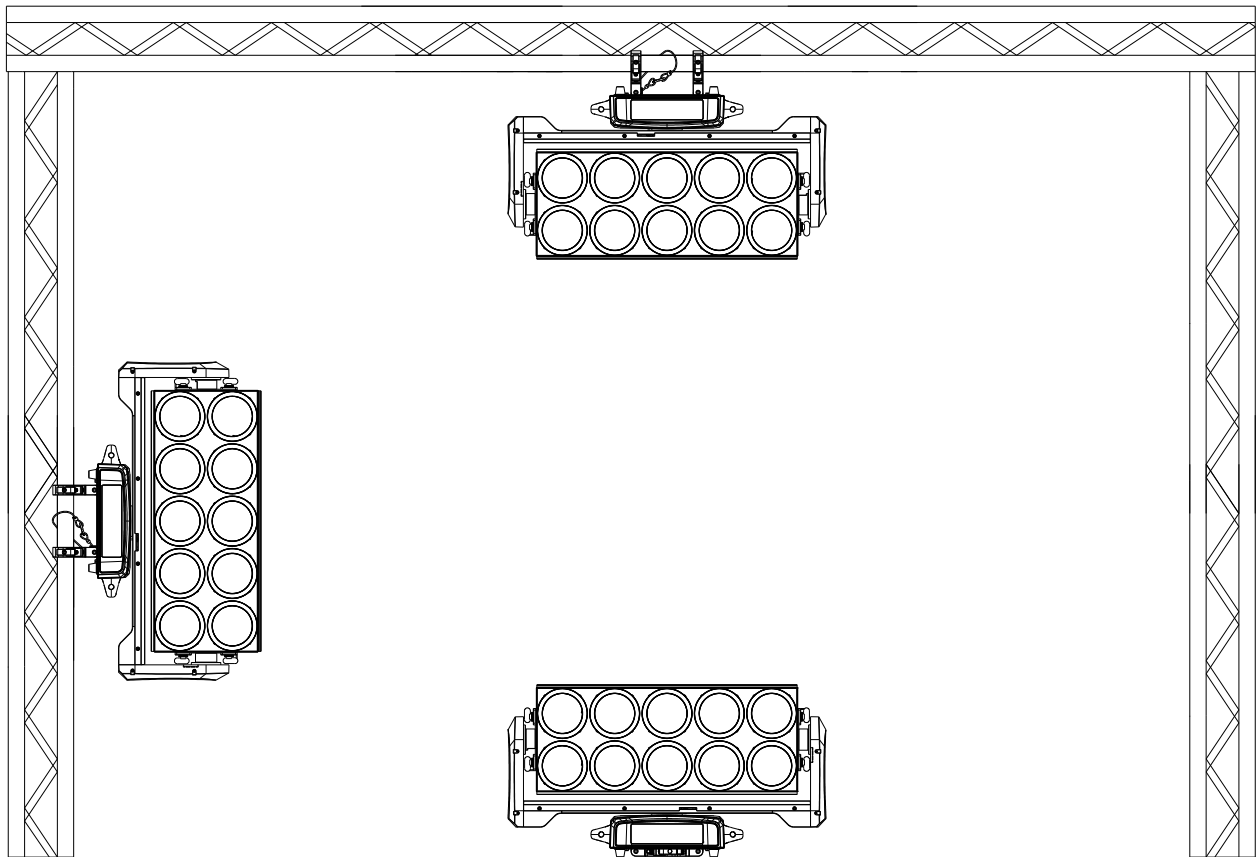
03/ Control Panel



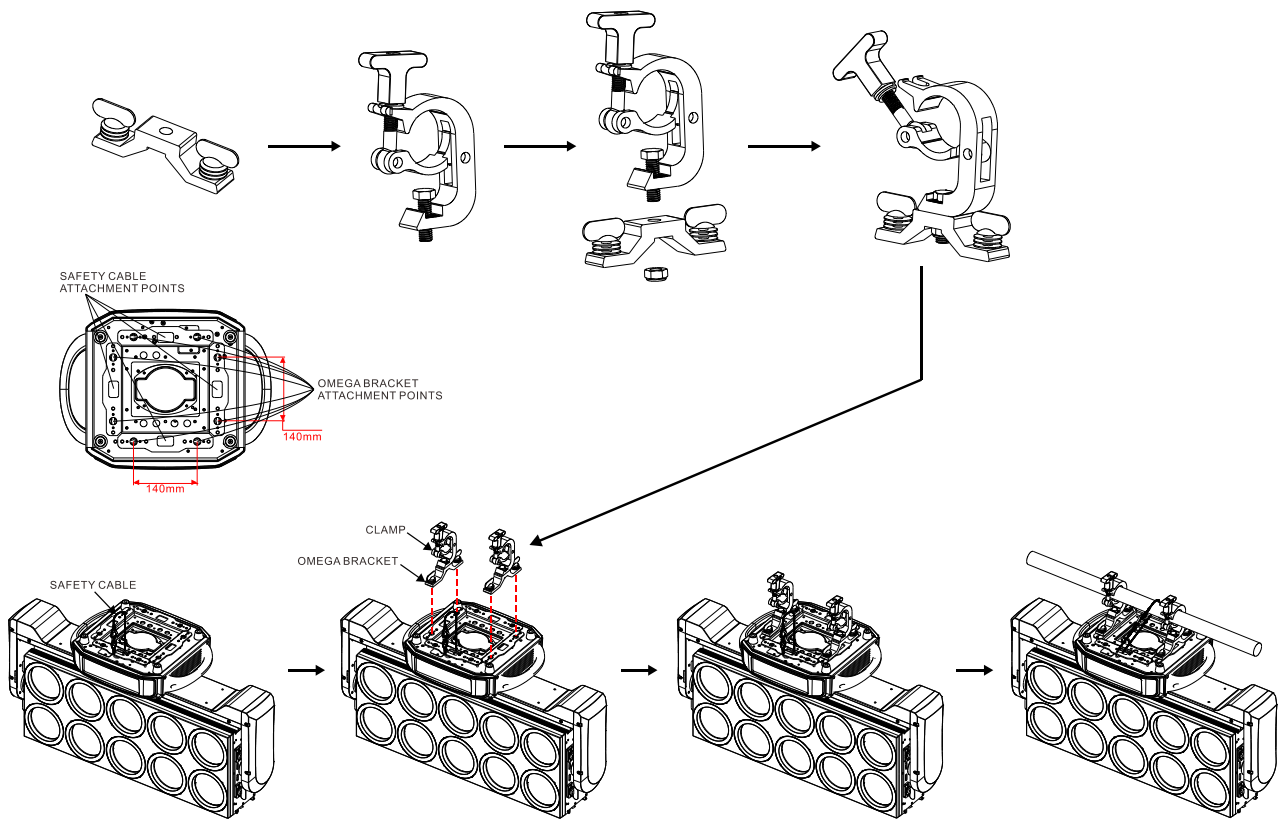
1. Display	To show the various menus and the selected function	
2. Buttons	MENU	To enter into move backward or leave the menu
	▲ UP	To go backward to move up in the menu
	▼ DOWN	To go forward to move down in the menu
	ENTER	To perform the desired functions
3. BATTERY DISPLAY		
4. ETHERNET	Transfers fixture's information to a main controller	
5. DMX IN	For DMX512 link, use 5-pin XLR cable to link the unit and DMX controller to input DMX signal (3-pin XLR cable is optional)	
6. DMX OUT	For DMX512 link, use 5-pin XLR cable to link the next units to output DMX signal (3-pin XLR cable is optional)	
7. POWER OUT	To connect to the next fixture	
8. POWER IN	To connect to supply power	
9. POWER SWITCH	Turns on/off the power	

04/ Fixture Installation

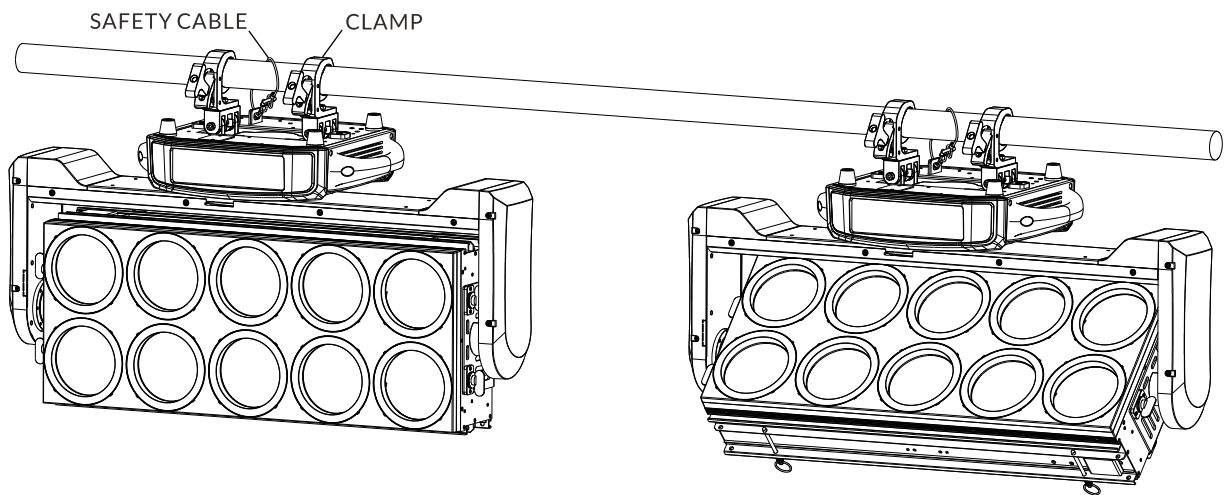
- ▶ DO install and operate by qualified operator. Fixture(s) should be installed in areas outside walking paths, seating areas, or away from areas where unauthorized personnel might reach the fixture by hand. NEVER stand directly below the fixture(s) when rigging, removing or servicing.
- ▶ Always ensure that the unit is firmly fixed to avoid vibration and slipping off during operation. Ensure that the trussing or area of installation must be able to hold 10 times the weight without any deformation. Always attach a safety cable that can hold at least 12 times the weight of the fixture whenever installing this fixture in a suspended environment to ensure that the fixture will not fall if the clamp fails.
- ▶ This fixture is fully operational in three different mounting positions: hanging upside-down, mounted sideways on trussing, or standing on the floor. Always use and install a safety cable as a safety measure to prevent accidental damage and/or injury in the event the clamp fails.



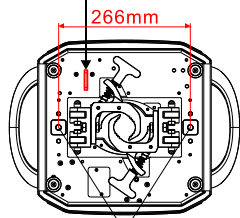
Steps for installing the omega brackets:



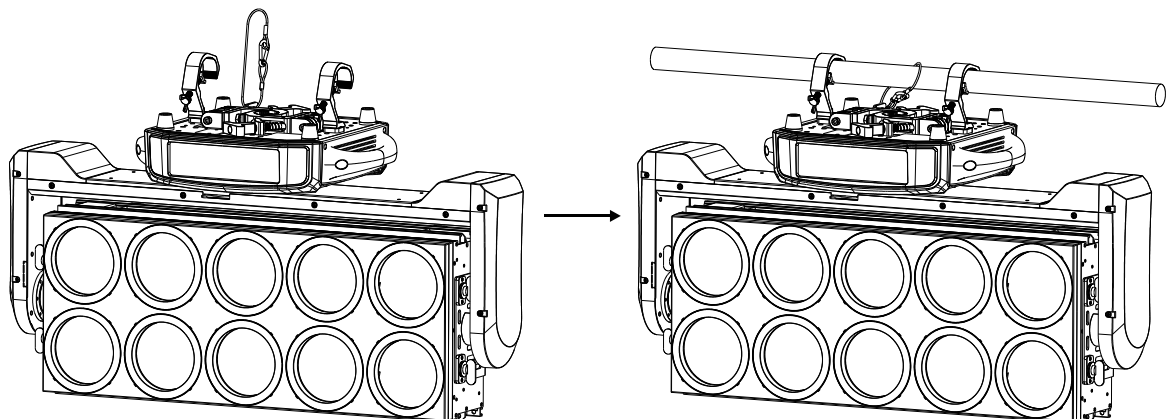
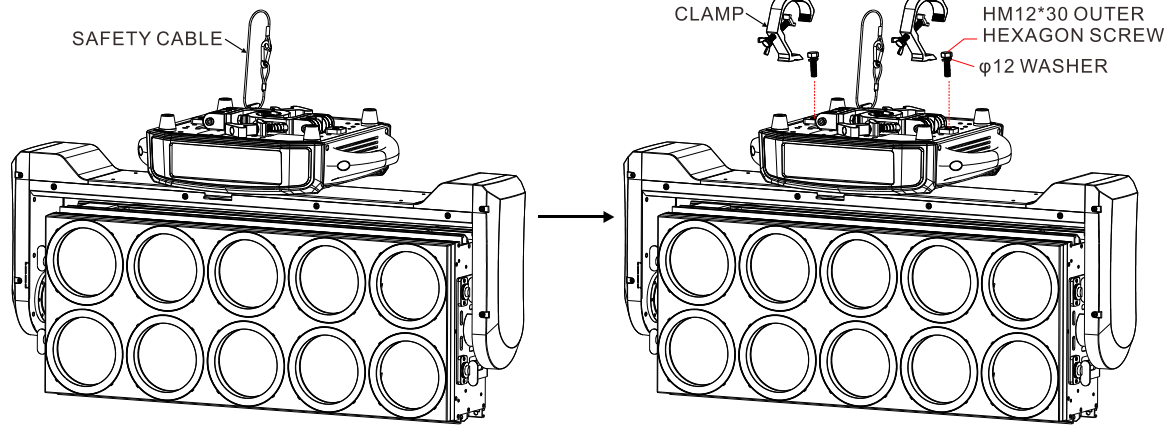
Hanging the fixture:



SAFETY CABLE
ATTACHMENT POINT

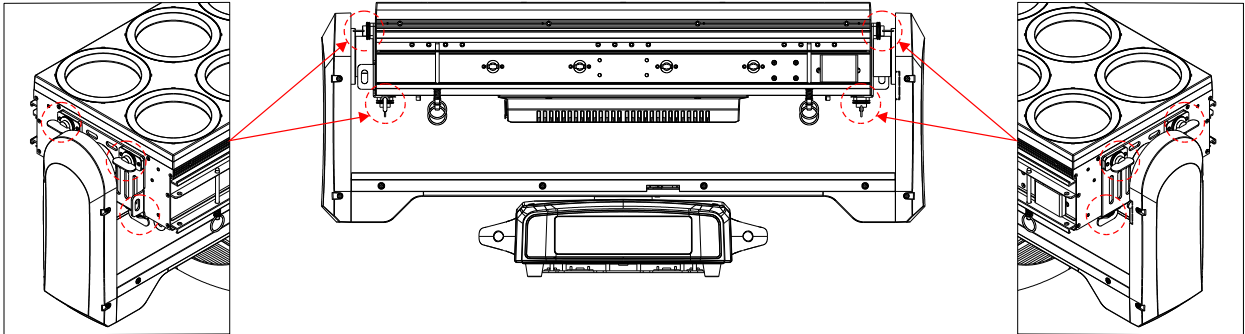


SCREW HOLES (SUITABLE FOR HM12 SCREWS)
RESERVED FOR CLAMPS FOR TRUSS
LARGER THAN 50MM IN DIAMETER

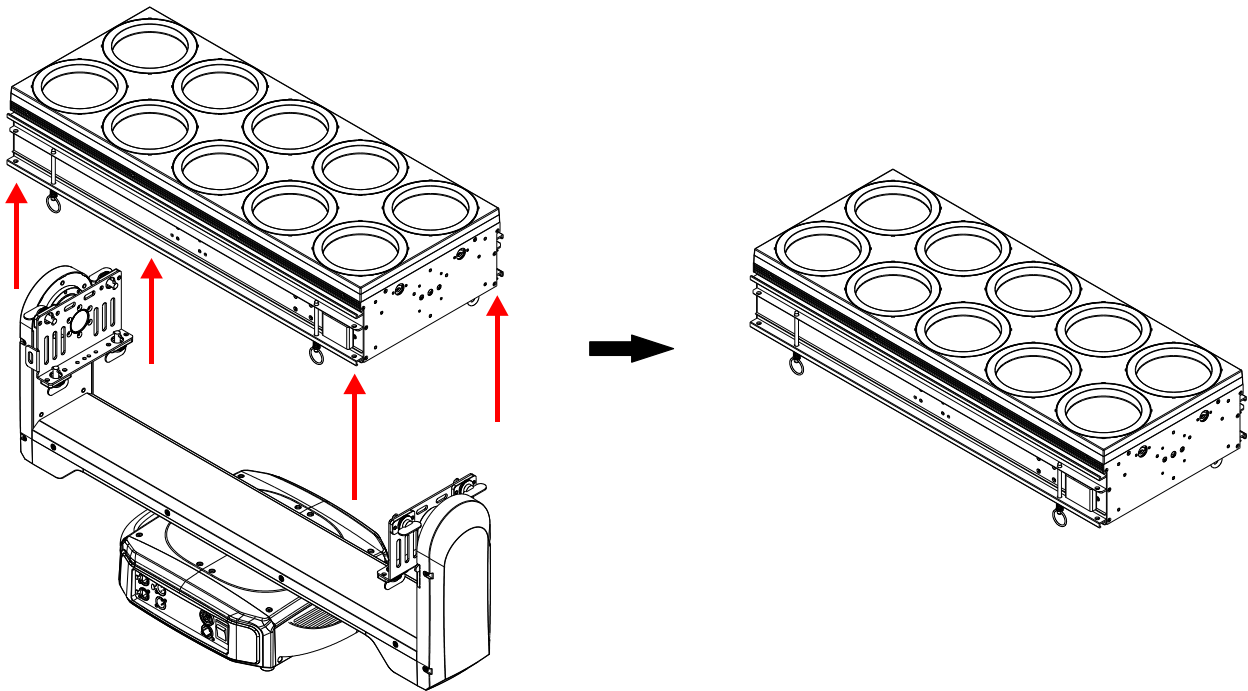


Separate fixture's head from its base:

1. As shown in the figure, place the fixture horizontally and secure the XY axis locks. Then loosen the eight quick-lock bolts on the head of the fixture.



2. Lift fixture's head upwards to separate it from its base.

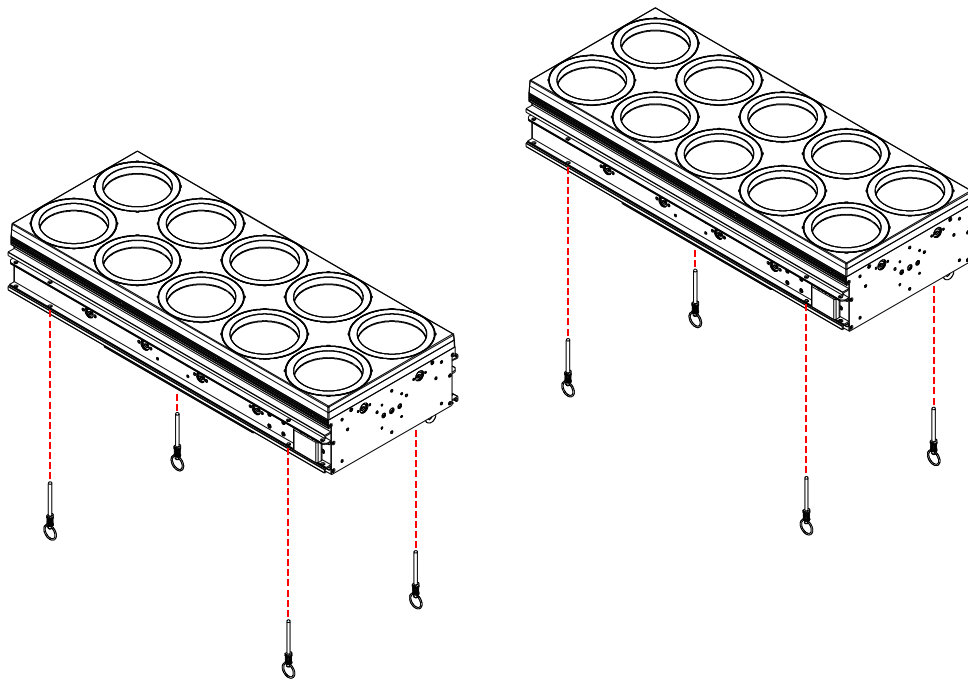


3. To reassemble fixture's head back into its base, follow the above steps in reverse order.

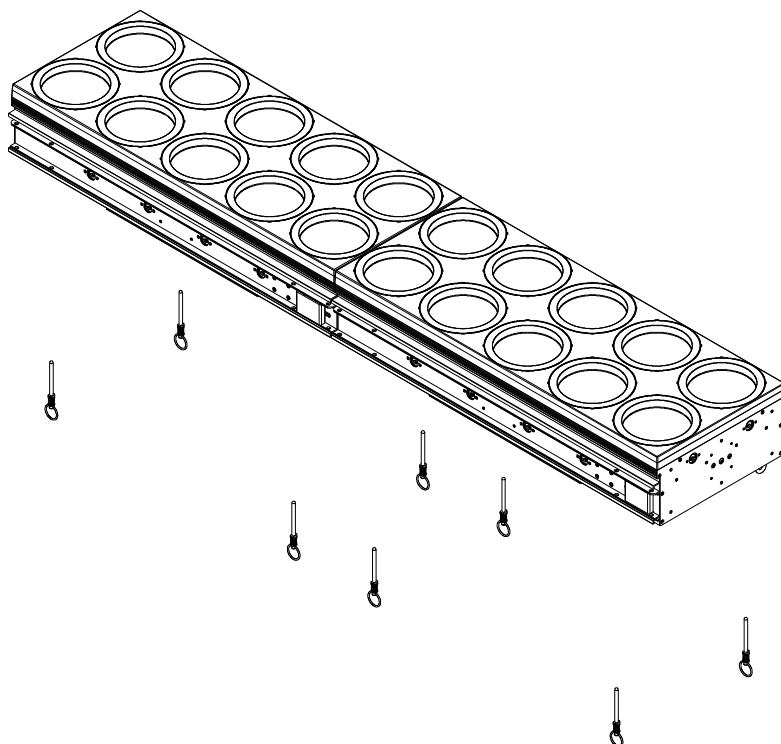
Align the fixtures horizontally:

1. Remove the eight locking pins from the fixtures.

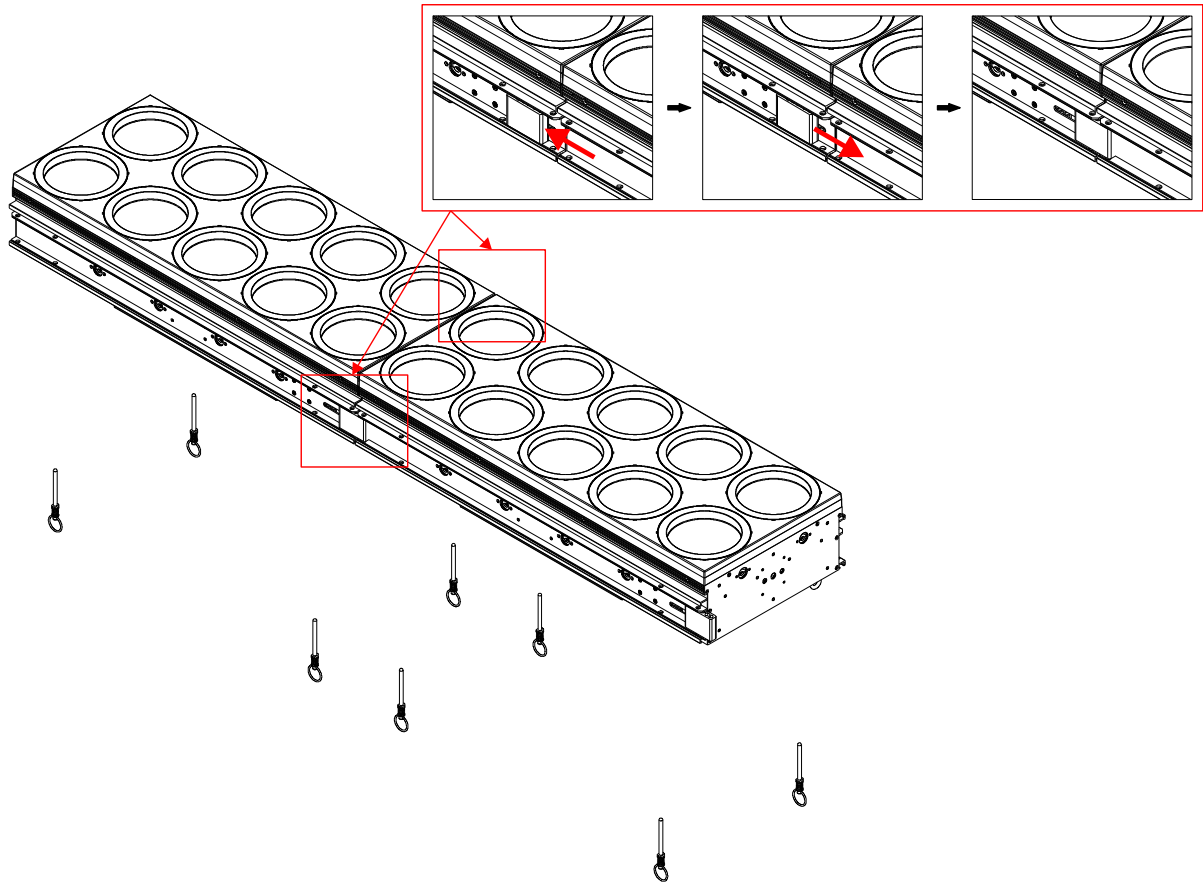
Note: All locking pins are fixed to fixture by a short retaining cable. When the head is installed in the base assembly, the cables must be secured in the provided clips to keep from interfering with the tilt movement of the fixture.



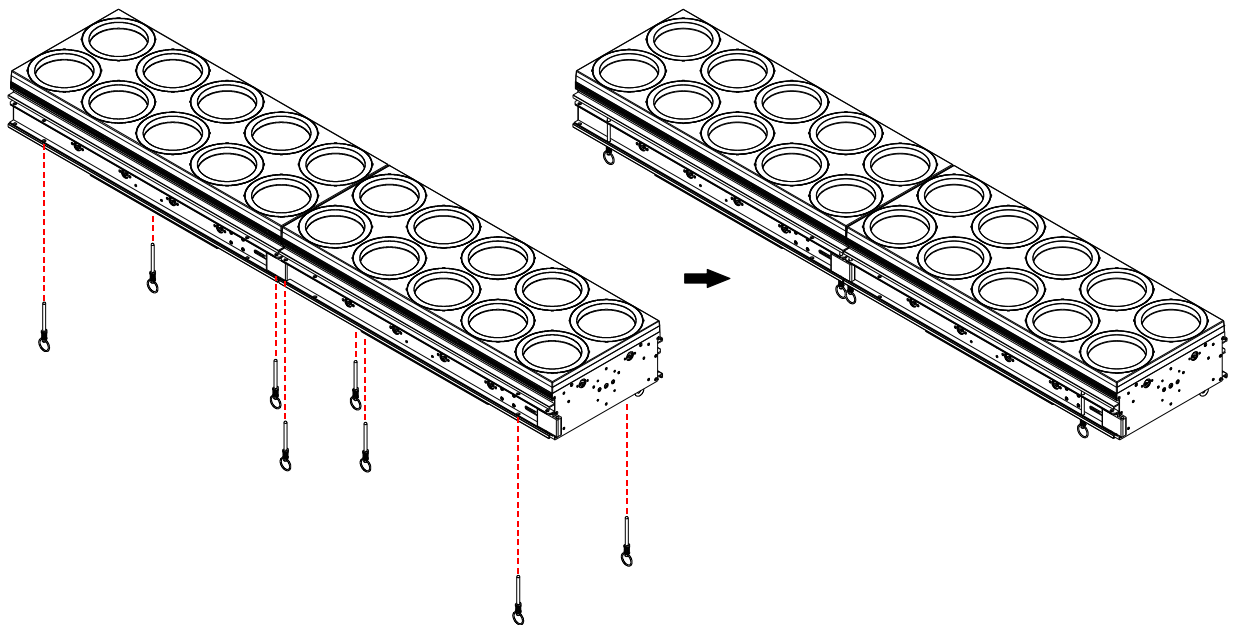
2. Align and fit the fixtures together.



3. Lightly push the sliders on both sides of the fixtures to the left to unlock them, then move the sliders to the right to secure the fixtures together.



4. Insert the locking pins, and the fixtures are now aligned and connected.



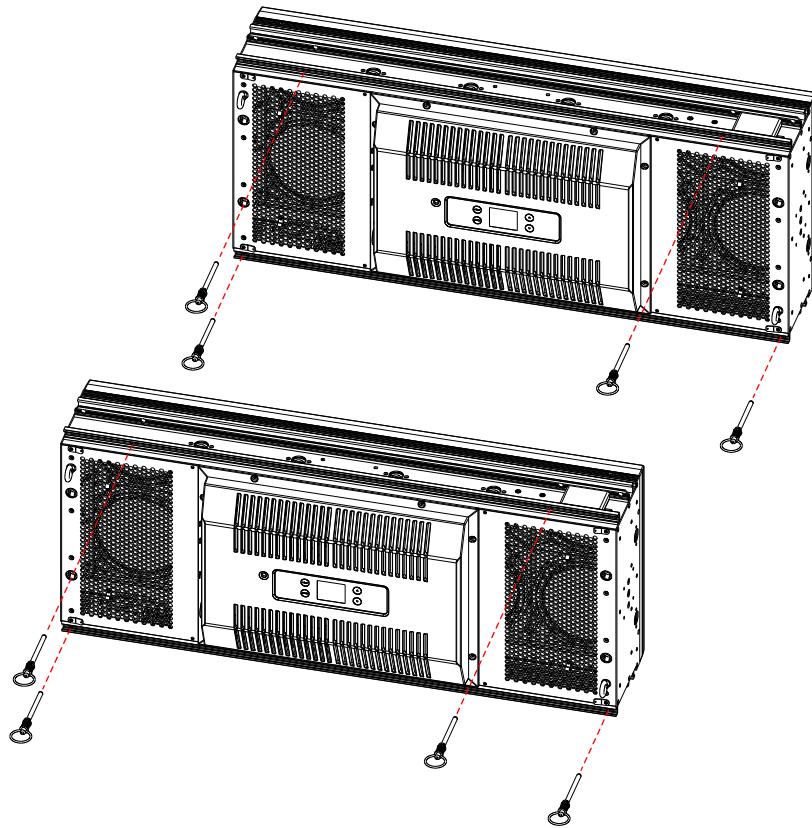
5. If you need to align more fixtures, repeat the steps above.

6. To detach the fixtures, simply reverse the steps mentioned above.

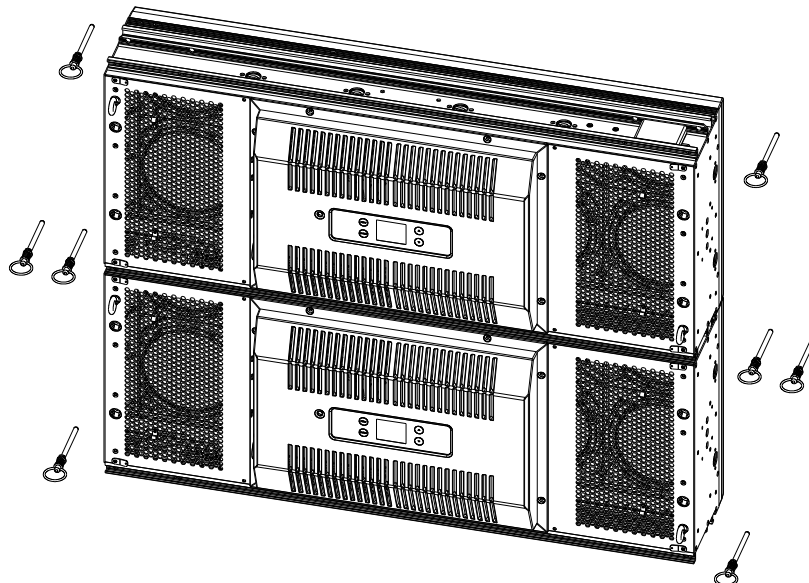
Align the fixtures vertically:

1. Remove the eight locking pins from the fixtures.

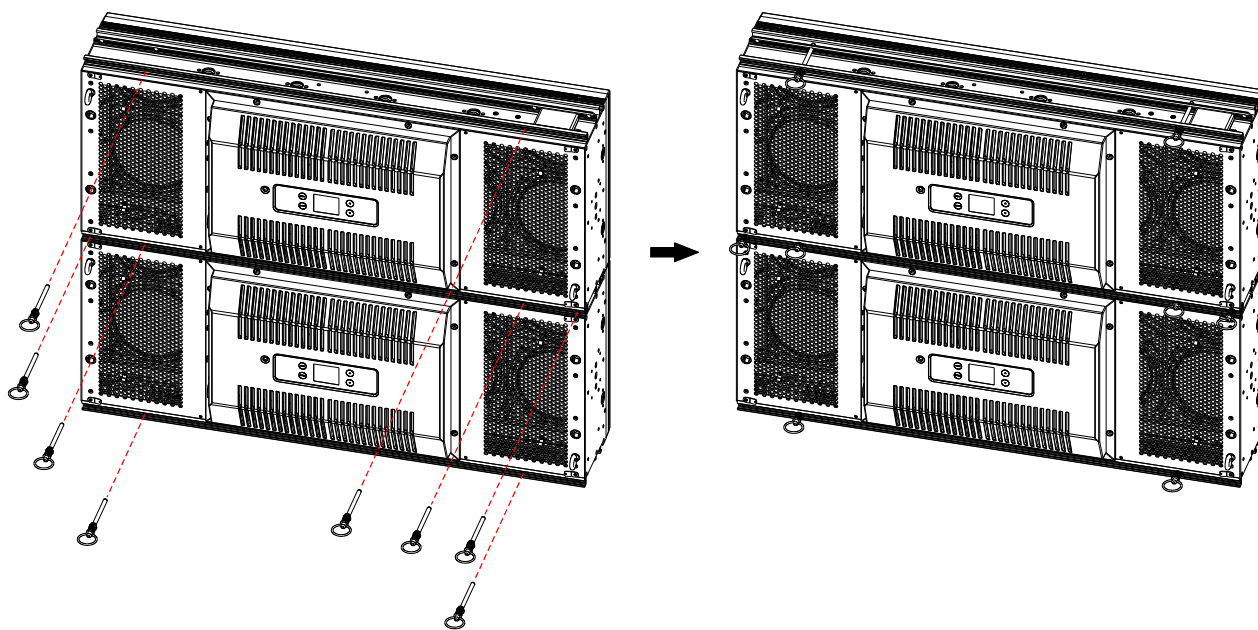
Note: All locking pins are fixed to fixture by a short retaining cable. When the head is installed in the base assembly, the cables must be secured in the provided clips to keep from interfering with the tilt movement of the fixture.



2. Align and fit the fixtures together.



3. Insert the locking pins, and the fixtures are now aligned and connected.



4. If you need to align more fixtures, repeat the steps above.

5. To detach the fixtures, simply reverse the steps mentioned above.

05/ How To Set The Unit

5.1 Main Functions

- ▶ To access the control menus, press the [MENU] button.
- ▶ Navigate the menu structure, using the [ENTER], [▲ UP] and [▼ DOWN] buttons.
- ▶ To select a menu option or to confirm a selection, press the [ENTER] button.
- ▶ To return to a higher level in the menu structure without making a change, press the [MENU] button, or wait 30 seconds.

The main functions are shown below:

MENU	SUBMENU	OPTIONS		
DMX Settings	DMX Address	1-497 (16 CH)	(Default=1)	
		1-425 (88 CH)		
		1-476 (37 CH)		
		1-413 (100 CH)		
	DMX Channel Mode	Mode 1 (16)		
		Mode 2 (88)		
		Mode 3 (37)		
		Mode 4 (100)		
	No DMX Status	Blackout		
		Hold		
		Manual		
	View DMX Value			
	Connect Option	Auto		
		DMX		
		Art-Net		
		sACN		
	Network	IP Address	Default 1:002.xxx.xxx.xxx	
			Default 2:010.xxx.xxx.xxx	
			Manual:xxx.xxx.xxx.xxx	
		Subnet Mask	xxx.xxx.xxx.xxx	
Art-Net Settings	Net	0-127	(Default=0)	
	Sub-Net	0-15	(Default=0)	
	Universe	0-15	(Default=0)	
sACN Settings	sACN Universe	1-32000	(Default=1)	
	sACN Priority	0-200	(Default=100)	

MENU	SUBMENU	OPTIONS		
	Artnet to DMX	Off On		
Fixture Settings	Pan Invert	No Yes		
		Tilt Invert	No Yes	
	P/T Feedback		No Yes	
		Dimmer Curve	Linear Square Law Inv SQ Law S Curve	
	Dimmer Speed		Fast Smooth Tungsten	
			Power Mode	Standard Quiet
				LED Refresh Rate
	Amber Glow	0-100 (Default=20)		
	Invert Pixel Order	No Yes		

MENU	SUBMENU	OPTIONS			
Display Settings	Display Invert	No			
		Yes			
	Backlight Intensity	1-10	(Default=10)		
	Temperature Unit	°C			
		°F			
	Language	English			
Chinese					
Fixture Test	Auto Test				
	Manual Test	Mode 1		Mode 2	
		Clear	No/Yes	Clear	No/Yes
		Dimmer	0-255	Dimmer	0-255
		Strobe	0-255	Strobe	0-255
		LED. W1	0-255	Pixel	0-255
		Back. R1	0-255	LED. W	0-255
		Back.G1	0-255	Back Red	0-255
		Back. B1	0-255	Back Green	0-255
		0-255	Back Blue	0-255
		LED. W10	0-255	Ring R	0-255
		Back. R10	0-255	Ring G	0-255
		Back. G10	0-255	Ring B	0-255
		Back. B10	0-255	Ring Pixel	0-255
		Ring R1	0-255		
		Ring G1	0-255		
		Ring B1	0-255		
		Ring Pixel 1	0-255		
		0-255		
		Ring R10	0-255		
Ring G10		0-255			
Ring B10	0-255				
Ring Pixel 10	0-255				

MENU	SUBMENU	OPTIONS		
Fixture Information	Fixture Use Hour			
	LED Use Hour	Total LED Hour		
		LED On Hour		
		LED Hours Reset	Password=050	
	Temperature		Current	Max
		LED 1		
		LED 2		
		LED 3		
		LED 4		
		LED 5		
	Fan State	H_FAN 1		
		H_FAN 2		
		H_FAN 3		
		H_FAN 4		
		H_FAN 5		
		H_FAN 6		
		H_FAN 7		
	Firmware Version			
	RDM UID			
	Error Logs	Fixture Errors		
Reset Error Log		No		
		Yes	Password=050	
Reset Function	All Reset	No		
		Yes		
Special Function	Factory Settings	No		
		Yes		

DMX Settings

Enter the control menu and select **DMX Settings**, press ENTER. Use the UP/DOWN button to select **DMX Address**, **DMX Channel Mode**, **No DMX Status**, **View DMX Value**, **Connect Option**, **Network**, **Art-Net Settings**, **sACN Settings** or **Artnet to DMX**.

DMX Address

Select **DMX Address**, press ENTER.

Use UP/DOWN button to select an address, confirm your selection with ENTER.

CHANNEL MODE	DMX ADDRESS
Mode 1 (16)	1-497
Mode 2 (88)	1-425
Mode 3 (37)	1-476
Mode 4 (100)	1-413

To exit the menu, press MENU, or wait 30 seconds.

DMX Channel Mode

Select **DMX Channel Mode**, press ENTER.

Use UP/DOWN button to select between **Mode 1 (16)**, **Mode 2 (88)**, **Mode 3 (37)** and **Mode 4 (100)**, confirm your selection with ENTER.

To exit the menu, press MENU, or wait 30 seconds.

No DMX Status

Select **No DMX Status**, press ENTER.

Use UP/DOWN button to select one of the following status:

Blackout (Fixture blacks out if DMX signal stops)

Hold (The device continues to operate in the current mode with the last active DMX values until the signal returns)

Manual (The device accepts the DMX value stored in the 'Manual Test' menu)

Confirm your selection with ENTER.

To exit the menu, press MENU, or wait 30 seconds.

View DMX Value

Select **View DMX Value**, press ENTER.

Use UP/DOWN button to select the desired DMX channel, for which the value is to be displayed.

To exit the menu, press MENU, or wait 30 seconds.

Connect Option

Select **Connect Option**, press ENTER.

Use UP/DOWN button to select **Auto**, **DMX**, **Art-Net** or **sACN**, confirm your selection with ENTER.

To exit the menu, press MENU, or wait 30 seconds.

Network

Select **Network**, press ENTER.

Use UP/DOWN button to select **IP Address** or **Subnet Mask**, confirm your selection with ENTER.

To exit the menu, press MENU, or wait 30 seconds.

Art-Net Settings

Select **Art-Net Settings**, press ENTER.

Use UP/DOWN button to select **Net**, **Sub-Net** or **Universe**, confirm your selection with ENTER.

To exit the menu, press MENU, or wait 30 seconds.

sACN Settings

Select **sACN Settings**, press ENTER.

Use UP/DOWN button to select **sACN Universe** or **sACN Priority**, confirm your selection with ENTER.

To exit the menu, press MENU, or wait 30 seconds.

Artnet to DMX

Select **Artnet to DMX**, press ENTER.

Use UP/DOWN button to select **Off** or **On**, confirm your selection with ENTER.

To exit the menu, press MENU, or wait 30 seconds.

Fixture Settings

Enter the control menu and select **Fixture Settings**, press ENTER. Use the UP/DOWN button to select **Pan Invert**, **Tilt Invert**, **P/T Feedback**, **Dimmer Curve**, **Dimmer Speed**, **Power Mode**, **LED Refresh Rate**, **Amber Glow** or **Invert Pixel Order**.

Pan Invert

Select **Pan Invert**, press ENTER.

Use UP/DOWN button to select **No** (pan invert deactivated) or **Yes** (pan invert activated), confirm your selection with ENTER.

To exit the menu, press MENU, or wait 30 seconds.

Tilt Invert

Select **Tilt Invert**, press ENTER.

Use UP/DOWN button to select **No** (tilt invert deactivated) or **Yes** (tilt invert activated), confirm your selection with ENTER.

To exit the menu, press MENU, or wait 30 seconds.

P/T Feedback

Select **P/T Feedback**, press ENTER.

Use UP/DOWN button to select **No** (pan/tilt feedback deactivated) or **Yes** (pan/tilt feedback activated), confirm your selection with ENTER.

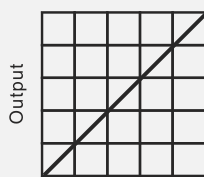
To exit the menu, press MENU, or wait 30 seconds.

Dimmer Curve

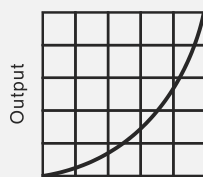
Select **Dimmer Curve**, press ENTER.

Use UP/DOWN button to select **Linear**, **Square Law**, **Inv SQ Law** or **S Curve**, confirm your selection with ENTER.

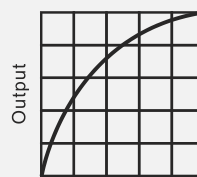
Dimmer Modes



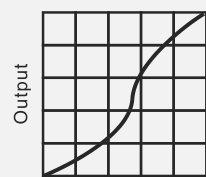
Optically Linear



Square Law



Inverse Square Law



S-curve

To exit the menu, press MENU, or wait 30 seconds.

Dimmer Speed

Select **Dimmer Speed**, press ENTER.

Use UP/DOWN button to select **Fast**, **Smooth** or **Tungsten**, confirm your selection with ENTER.

To exit the menu, press MENU, or wait 30 seconds.

Power Mode

Select **Power Mode**, press ENTER.

Use UP/DOWN button to select **Standard** or **Quiet**, confirm your selection with ENTER.

To exit the menu, press MENU, or wait 30 seconds.

LED Refresh Rate

Select **LED Refresh Rate**, press ENTER.

Use UP/DOWN button to select **900Hz**, **1000Hz**, **1100Hz**, **1200Hz**, **1300Hz**, **1400Hz**, **1500Hz**, **2500Hz**, **4000Hz**, **5000Hz**, **6000Hz**, **10KHz**, **15KHz**, **20KHz** or **25KHz**, confirm your selection with ENTER.

To exit the menu, press MENU, or wait 30 seconds.

Amber Glow

Select **Amber Glow**, press ENTER.

Use UP/DOWN button to select a value between **0** and **100**, confirm your selection with ENTER.

To exit the menu, press MENU, or wait 30 seconds.

Invert Pixel Order

Select **Invert Pixel Order**, press ENTER.

Use UP/DOWN button to select **No** or **Yes**, confirm your selection with ENTER.

To exit the menu, press MENU, or wait 30 seconds.

Display Settings

Enter the control menu and select **Display Settings**, press ENTER. Use the UP/DOWN button to select **Display Invert**, **Backlight Intensity**, **Temperature Unit** or **Language**.

Display Invert

Select **Display Invert**, press ENTER.

Use UP/DOWN button to select **No** (display normal) or **Yes** (display inverted), confirm your selection with ENTER.

To exit the menu, press MENU, or wait 30 seconds.

Backlight Intensity

Select **Backlight Intensity**, press ENTER.

Use UP/DOWN button to select a value between **1** (dark) and **10** (bright), confirm your selection with ENTER.

To exit the menu, press MENU, or wait 30 seconds.

Temperature Unit

Select **Temperature Unit**, press ENTER.

Use UP/DOWN button to select **°C** or **°F**, confirm your selection with ENTER.

To exit the menu, press MENU, or wait 30 seconds.

Language

Select **Language**, press ENTER.

Use UP/DOWN button to select **English** or **Chinese**, confirm your selection with ENTER.

To exit the menu, press MENU, or wait 30 seconds.

Fixture Test

Enter the control menu and select **Fixture Test**, press ENTER. Use the UP/DOWN button to select **Auto Test** or **Manual Test**.

Auto Test

Select **Auto Test**, press ENTER.

The device immediately performs an automatic self-test.

To end the automatic self-test and exit the menu, press MENU, or wait 30 seconds.

Manual Test

Select **Manual Test**, press ENTER.

Use UP/DOWN button to select the channel for which the manual test is to be performed, confirm your selection with ENTER.

Use UP/DOWN button to select a value, confirm your selection with ENTER.

To exit the menu, press MENU, or wait 30 seconds.

(The device returns to its original DMX state after the manual test. The test values are saved automatically when the device is switched off.)

Fixture Information

Enter the control menu and select **Fixture Information**, press ENTER. Use the UP/DOWN button to select **Fixture Use Hour**, **LED Use Hour**, **Temperature**, **Fan State**, **Firmware Version**, **RDM UID** or **Error Logs**.

Fixture Use Hour

Select **Fixture Use Hour**, press ENTER.

The operating hours is displayed.

To exit the menu, press MENU, or wait 30 seconds.

LED Use Hour

Select **LED Use Hour**, press ENTER.

Use UP/DOWN button to select **Total LED Hour** (total time) or **LED On Hour** (current switch-on time), confirm your selection with ENTER.

The total time or current switch-on time is displayed.

Use UP/DOWN button to select **LED Hours Reset**, confirm your selection with ENTER.

Use UP/DOWN button to set the password 050, confirm your selection with ENTER. The LED operating hours is reset.

To exit the menu, press MENU, or wait 30 seconds.

Temperature

Select **Temperature**, press ENTER.

The device temperature is displayed.

To exit the menu, press MENU, or wait 30 seconds.

Fan State

Select **Fan State**, press ENTER.

The fan status is displayed.

To exit the menu, press MENU, or wait 30 seconds.

Firmware Version

Select **Firmware Version**, press ENTER.

The firmware version is displayed.

To exit the menu, press MENU, or wait 30 seconds.

RDM UID

Select **RDM UID**, press ENTER.

The RDM UID is displayed.

To exit the menu, press MENU, or wait 30 seconds.

Error Logs

Select **Error Logs**, press ENTER.

Use UP/DOWN button to select **Fixture Errors**, confirm your selection with ENTER.

The error list is displayed.

Use UP/DOWN button to select **Reset Error Log**, confirm your selection with ENTER.

If you wish to reset the relevant error logs, select **Yes**. If you do not wish to reset anything, select **No**. Confirm your selection with ENTER.

If you select **Yes**, use UP/DOWN button to set the password 050, confirm your selection with ENTER. The relevant error logs are reset.

To exit the menu, press MENU, or wait 30 seconds.

Reset Function

Enter the control menu and select **Reset Function**, press ENTER. Use the UP/DOWN button to select **All Reset**.

All Reset

Select **All Reset**, press ENTER.

Use UP/DOWN button to select **No** or **Yes** (the device will run built-in program to reset all to their home positions), confirm your selection with ENTER.

To exit the menu, press MENU, or wait 30 seconds.

Special Function

Enter the control menu and select **Special Function**, press ENTER. Use the UP/DOWN button to select **Factory Settings**.

Factory Settings

Select **Factory Settings**, press ENTER.

If you wish to reset the device to the factory settings, select **Yes**. If you do not wish to reset anything, select **No**. Confirm your selection with ENTER.

To exit the menu, press MENU, or wait 30 seconds.

RDM functions: Certain menus of the device and functions can be called up via the RDM protocol.

The parameter IDs are implemented as follows for different commands:

Parameter ID	Command 'Discovery'	Command 'Set'	Command 'Get'
DISC_UNIQUE_BRANCH	✓		
DISC_MUTE	✓		
DISC_UN_MUTE	✓		
DEVICE_INFO			✓
SUPPORTED_PARAMETERS			✓
SOFTWARE_VERSION_LABEL			✓
DMX_START_ADDRESS		✓	✓
IDENTIFY_DEVICE		✓	✓
DEVICE_MODEL_DESCRIPTION			✓
PARAMETER_DESCRIPTION			✓
BOOT_SOFTWARE_VERSION_ID			✓
BOOT_SOFTWARE_VERSION_LABEL			✓
DMX_PERSONALITY		✓	✓
DMX_PERSONALITY_DESCRIPTION			✓
SLOT_INFO			✓
SLOT_DESCRIPTION			✓
SENSOR_DEFINITION			✓
SENSOR_VALUE			✓
DEVICE_HOURS			✓
LAMP_HOURS			✓
PAN_INVERT		✓	✓
TILT_INVERT		✓	✓
RESET_DEVICE		✓	
CURVE		✓	
DMX_STATE		✓	✓
DIMMER_SPEED		✓	✓

✓ -Command implemented for the respective parameter ID

5.2 Home Position Adjustment

- ▶ To access the control menus, press the [MENU] button.
- ▶ To access the offset menus, long-press the [ENTER] button.
- ▶ Navigate the offset menus, using the [ENTER], [▲ UP] and [▼ DOWN] buttons.
- ▶ To select a menu option or to confirm a selection, press the [ENTER] button.
- ▶ To return to a higher level in the menu structure without making a change, press the [MENU] button, or wait 30 seconds.

OFFSET MENU	VALUES
Pan	-128~127
Tilt	-128~127
Frequency(Hz)	1072~1327
LED. A	0~255
LED. W	0~255
LED. A1	0~255
LED. W1	0~255
.....
LED. A10	0~255
LED. W10	0~255

Pan

Select **Pan**, press ENTER.

Use UP/DOWN button to select a value between -128 and 127, confirm your selection with ENTER.

To exit the offset menu, press MENU, or wait 30 seconds.

Tilt

Select **Tilt**, press ENTER.

Use UP/DOWN button to select a value between -128 and 127, confirm your selection with ENTER.

To exit the offset menu, press MENU, or wait 30 seconds.

Frequency(Hz)

Select **Frequency(Hz)**, press ENTER.

Use UP/DOWN button to select a value, confirm your selection with ENTER.

To exit the offset menu, press MENU, or wait 30 seconds.

Frequency	VALUES
900Hz	772~1027
1000Hz	872~1127
1100Hz	972~1227
1200Hz	1072~1327
1300Hz	1172~1427
1400Hz	1272~1527
1500Hz	1372~1627
2500Hz	2372~2627
4000Hz	3872~4127
5000Hz	4872~5127
6000Hz	5872~6127
10000Hz	9872~10127
15000Hz	14872~15127
20000Hz	19872~20127
25000Hz	24872~25127

LED. A

Select **LED. A**, press ENTER.

Use UP/DOWN button to select a value between 0 and 255, confirm your selection with ENTER.

To exit the offset menu, press MENU, or wait 30 seconds.

LED. W

Select **LED. W**, press ENTER.

Use UP/DOWN button to select a value between 0 and 255, confirm your selection with ENTER.

To exit the offset menu, press MENU, or wait 30 seconds.

LED. A1

Select **LED. A1**, press ENTER.

Use UP/DOWN button to select a value between 0 and 255, confirm your selection with ENTER.

To exit the offset menu, press MENU, or wait 30 seconds.

LED. W1

Select **LED. W1**, press ENTER.

Use UP/DOWN button to select a value between 0 and 255, confirm your selection with ENTER.

To exit the offset menu, press MENU, or wait 30 seconds.

.....

LED. A10

Select **LED. A10**, press ENTER.

Use UP/DOWN button to select a value between 0 and 255, confirm your selection with ENTER.

To exit the offset menu, press MENU, or wait 30 seconds.

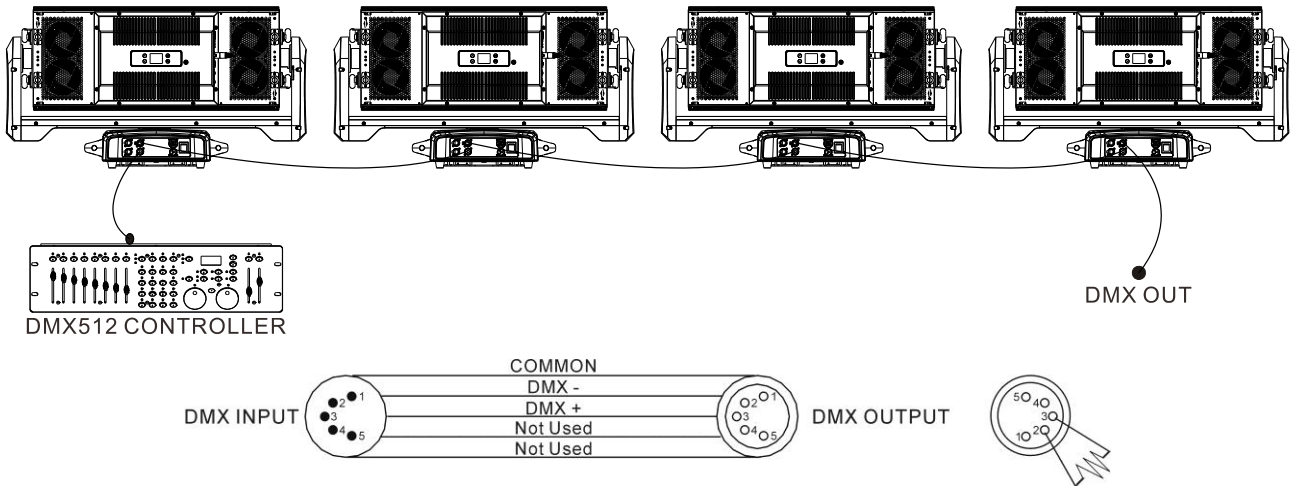
LED. W10

Select **LED. W10**, press ENTER.

Use UP/DOWN button to select a value between 0 and 255, confirm your selection with ENTER.

To exit the offset menu, press MENU, or wait 30 seconds.

6.1 DMX512 Connection



1. At last unit, the DMX cable has to be terminated with a terminator. Solder a 120-ohm 1/4W resistor between pin 2(DMX-) and pin 3(DMX+) into a 3-pin XLR-plug and plug it in the DMX-output of the last unit.
2. Connect the unit together in a “daisy chain” by XLR plug cable from the output of the unit to the input of the next unit. The cable can only be used in series and cannot be connected in parallel. DMX 512 is a very high-speed signal. Inadequate or damaged cables, soldered joints or corroded connectors can easily distort the signal and shut down the system.
3. The DMX output and input connectors are pass-through to maintain the DMX circuit, when one of the units' power is disconnected.
4. Each lighting unit needs to have a DMX address to receive the data by the controller. The address number is between 1-512.
5. The end of the DMX 512 system should be terminated to reduce signal errors.
6. When wiring 3 pin XLR connectors: Pin 1: GND, Pin 2: Negative signal (-), Pin 3: Positive signal (+). When wiring 5 pin XLR connectors: Pin 1: GND, Pin 2: Negative signal (-), Pin 3: Positive signal (+), Pin4, Pin5 not used.

6.2 Address Setting

If you use a universal DMX controller to control the units, you have to set DMX address between 1 and 512 so that the units can receive DMX signal.

Press the MENU button to access the control menus, select DMX Settings, press the ENTER button to confirm. Use the UP/DOWN button to select DMX Address, press the ENTER button to confirm, the present address will show on the display. Use the UP/DOWN button to adjust the address between 001 and 512, press the ENTER button to store. To exit the menu, press MENU, or wait 30 seconds.

Please refer to the following diagram to address your DMX512 channel for the first 4 units.

Channel Mode	Unit 1 Address	Unit 2 Address	Unit 3 Address	Unit 4 Address
16 channels	1	17	33	49
88 channels	1	89	177	265
37 channels	1	38	75	112
100 channels	1	101	201	301

6.3 DMX512 Configuration

Please control the fixture by referring to the configurations below.

Attentions:

- ▶ The unit will maintain the last condition until reset if you cut-off the DMX signal.
- ▶ For the channel Function, keep the value for about 3 seconds, then the corresponding function will take into effect.

16 Channels (Mode 1):

CHANNEL	VALUE	FUNCTION
1	000-255	PAN 0°→540°
2	000-255	PAN FINE
3	000-255	TILT 0°→244°
4	000-255	TILT FINE
5	000-255	PAN/TILT SPEED Fast to Slow
6	000-255	DIMMER 0%→100%
7	000-007 008-015 016-131 132-139 140-181 182-189 190-231 232-239 240-247 248-255	STROBE Close Open Strobe from Slow to Fast Open Fast Open Slow Close from Slow to Fast Open Slow Open Fast Close from Slow to Fast Open Random Strobe from Slow to Fast Open
8	000-015 016-031 032-047 048-063 064-079 080-095 096-111 112-127 128-143 144-159 160-175 176-191 192-207 208-223 224-239 240-255	LED MACRO SELECTION&SPEED Null Macro 1, Fast to Slow Macro 2, Fast to Slow Macro 3, Fast to Slow Macro 4, Fast to Slow Macro 5, Fast to Slow Macro 6, Fast to Slow Macro 7, Fast to Slow Macro 8, Fast to Slow Macro 9, Fast to Slow Macro 10, Fast to Slow Macro 11, Fast to Slow Macro 12, Fast to Slow Macro 13, Fast to Slow Macro 14, Fast to Slow Random Macro, Fast to Slow
9	000-255	LED WARM WHITE 0%→100%
10	000-255	LED WASH RED 0%→100%

11	000-255	LED WASH GREEN 0%→100%
12	000-255	LED WASH BLUE 0%→100%
13	000-255	RING RED 0%→100%
14	000-255	RING GREEN 0%→100%
15	000-255	RING BLUE 0%→100%
16	000-015	RING MACRO SELECTION&SPEED Null
	016-031	Macro 1, Fast to Slow
	032-047	Macro 2, Fast to Slow
	048-063	Macro 3, Fast to Slow
	064-079	Macro 4, Fast to Slow
	080-095	Macro 5, Fast to Slow
	096-111	Macro 6, Fast to Slow
	112-127	Macro 7, Fast to Slow
	128-143	Macro 8, Fast to Slow
	144-159	Macro 9, Fast to Slow
	160-175	Macro 10, Fast to Slow
	176-191	Macro 11, Fast to Slow
	192-207	Macro 12, Fast to Slow
	208-223	Macro 13, Fast to Slow
	224-239	Macro 14, Fast to Slow
240-255	Macro 15, Fast to Slow	

88 Channels (Mode 2):

CHANNEL	VALUE	FUNCTION
1	000-255	PAN 0°→540°
2	000-255	PAN FINE
3	000-255	TILT 0°→244°
4	000-255	TILT FINE
5	000-255	PAN/TILT SPEED Fast to Slow
6	000-255	DIMMER 0%→100%
7	000-007 008-015	STROBE Close Open

	016-131 132-139 140-181 182-189 190-231 232-239 240-247 248-255	Strobe from Slow to Fast Open Fast Open Slow Close from Slow to Fast Open Slow Open Fast Close from Slow to Fast Open Random Strobe from Slow to Fast Open
8	000-255	LED 1 WARM WHITE 0%→100%
9	000-255	LED 1 WASH RED 0%→100%
10	000-255	LED 1 WASH GREEN 0%→100%
11	000-255	LED 1 WASH BLUE 0%→100%
12	000-255	LED 2 WARM WHITE 0%→100%
13	000-255	LED 2 WASH RED 0%→100%
14	000-255	LED 2 WASH GREEN 0%→100%
15	000-255	LED 2 WASH BLUE 0%→100%
16	000-255	LED 3 WARM WHITE 0%→100%
17	000-255	LED 3 WASH RED 0%→100%
18	000-255	LED 3 WASH GREEN 0%→100%
19	000-255	LED 3 WASH BLUE 0%→100%
20	000-255	LED 4 WARM WHITE 0%→100%
21	000-255	LED 4 WASH RED 0%→100%
22	000-255	LED 4 WASH GREEN 0%→100%
23	000-255	LED 4 WASH BLUE 0%→100%
24	000-255	LED 5 WARM WHITE 0%→100%
25	000-255	LED 5 WASH RED 0%→100%

26	000-255	LED 5 WASH GREEN 0%→100%
27	000-255	LED 5 WASH BLUE 0%→100%
28	000-255	LED 6 WARM WHITE 0%→100%
29	000-255	LED 6 WASH RED 0%→100%
30	000-255	LED 6 WASH GREEN 0%→100%
31	000-255	LED 6 WASH BLUE 0%→100%
32	000-255	LED 7 WARM WHITE 0%→100%
33	000-255	LED 7 WASH RED 0%→100%
34	000-255	LED 7 WASH GREEN 0%→100%
35	000-255	LED 7 WASH BLUE 0%→100%
36	000-255	LED 8 WARM WHITE 0%→100%
37	000-255	LED 8 WASH RED 0%→100%
38	000-255	LED 8 WASH GREEN 0%→100%
39	000-255	LED 8 WASH BLUE 0%→100%
40	000-255	LED 9 WARM WHITE 0%→100%
41	000-255	LED 9 WASH RED 0%→100%
42	000-255	LED 9 WASH GREEN 0%→100%
43	000-255	LED 9 WASH BLUE 0%→100%
44	000-255	LED 10 WARM WHITE 0%→100%
45	000-255	LED 10 WASH RED 0%→100%
46	000-255	LED 10 WASH GREEN 0%→100%
47	000-255	LED 10 WASH BLUE 0%→100%

48	000-255	RING 1 RED 0%→100%
49	000-255	RING 1 GREEN 0%→100%
50	000-255	RING 1 BLUE 0%→100%
51	000-015	RING 1 MACRO SELECTION&SPEED Null
	016-031	Macro 1, Fast to Slow
	032-047	Macro 2, Fast to Slow
	048-063	Macro 3, Fast to Slow
	064-079	Macro 4, Fast to Slow
	080-095	Macro 5, Fast to Slow
	096-111	Macro 6, Fast to Slow
	112-127	Macro 7, Fast to Slow
	128-143	Macro 8, Fast to Slow
	144-159	Macro 9, Fast to Slow
	160-175	Macro 10, Fast to Slow
	176-191	Macro 11, Fast to Slow
	192-207	Macro 12, Fast to Slow
	208-223	Macro 13, Fast to Slow
224-239	Macro 14, Fast to Slow	
240-255	Macro 15, Fast to Slow	
52	000-255	RING 2 RED 0%→100%
53	000-255	RING 2 GREEN 0%→100%
54	000-255	RING 2 BLUE 0%→100%
55	000-015	RING 2 MACRO SELECTION&SPEED Null
	016-031	Macro 1, Fast to Slow
	032-047	Macro 2, Fast to Slow
	048-063	Macro 3, Fast to Slow
	064-079	Macro 4, Fast to Slow
	080-095	Macro 5, Fast to Slow
	096-111	Macro 6, Fast to Slow
	112-127	Macro 7, Fast to Slow
	128-143	Macro 8, Fast to Slow
	144-159	Macro 9, Fast to Slow
	160-175	Macro 10, Fast to Slow
	176-191	Macro 11, Fast to Slow
	192-207	Macro 12, Fast to Slow
	208-223	Macro 13, Fast to Slow
224-239	Macro 14, Fast to Slow	
240-255	Macro 15, Fast to Slow	

56	000-255	RING 3 RED 0%→100%
57	000-255	RING 3 GREEN 0%→100%
58	000-255	RING 3 BLUE 0%→100%
59	000-015	RING 3 MACRO SELECTION&SPEED Null
	016-031	Macro 1, Fast to Slow
	032-047	Macro 2, Fast to Slow
	048-063	Macro 3, Fast to Slow
	064-079	Macro 4, Fast to Slow
	080-095	Macro 5, Fast to Slow
	096-111	Macro 6, Fast to Slow
	112-127	Macro 7, Fast to Slow
	128-143	Macro 8, Fast to Slow
	144-159	Macro 9, Fast to Slow
	160-175	Macro 10, Fast to Slow
	176-191	Macro 11, Fast to Slow
	192-207	Macro 12, Fast to Slow
	208-223	Macro 13, Fast to Slow
224-239	Macro 14, Fast to Slow	
240-255	Macro 15, Fast to Slow	
60	000-255	RING 4 RED 0%→100%
61	000-255	RING 4 GREEN 0%→100%
62	000-255	RING 4 BLUE 0%→100%
63	000-015	RING 4 MACRO SELECTION&SPEED Null
	016-031	Macro 1, Fast to Slow
	032-047	Macro 2, Fast to Slow
	048-063	Macro 3, Fast to Slow
	064-079	Macro 4, Fast to Slow
	080-095	Macro 5, Fast to Slow
	096-111	Macro 6, Fast to Slow
	112-127	Macro 7, Fast to Slow
	128-143	Macro 8, Fast to Slow
	144-159	Macro 9, Fast to Slow
	160-175	Macro 10, Fast to Slow
	176-191	Macro 11, Fast to Slow
	192-207	Macro 12, Fast to Slow
	208-223	Macro 13, Fast to Slow
224-239	Macro 14, Fast to Slow	
240-255	Macro 15, Fast to Slow	

64	000-255	RING 5 RED 0%→100%
65	000-255	RING 5 GREEN 0%→100%
66	000-255	RING 5 BLUE 0%→100%
67	000-015	RING 5 MACRO SELECTION&SPEED Null
	016-031	Macro 1, Fast to Slow
	032-047	Macro 2, Fast to Slow
	048-063	Macro 3, Fast to Slow
	064-079	Macro 4, Fast to Slow
	080-095	Macro 5, Fast to Slow
	096-111	Macro 6, Fast to Slow
	112-127	Macro 7, Fast to Slow
	128-143	Macro 8, Fast to Slow
	144-159	Macro 9, Fast to Slow
	160-175	Macro 10, Fast to Slow
	176-191	Macro 11, Fast to Slow
	192-207	Macro 12, Fast to Slow
	208-223	Macro 13, Fast to Slow
224-239	Macro 14, Fast to Slow	
240-255	Macro 15, Fast to Slow	
68	000-255	RING 6 RED 0%→100%
69	000-255	RING 6 GREEN 0%→100%
70	000-255	RING 6 BLUE 0%→100%
71	000-015	RING 6 MACRO SELECTION&SPEED Null
	016-031	Macro 1, Fast to Slow
	032-047	Macro 2, Fast to Slow
	048-063	Macro 3, Fast to Slow
	064-079	Macro 4, Fast to Slow
	080-095	Macro 5, Fast to Slow
	096-111	Macro 6, Fast to Slow
	112-127	Macro 7, Fast to Slow
	128-143	Macro 8, Fast to Slow
	144-159	Macro 9, Fast to Slow
	160-175	Macro 10, Fast to Slow
	176-191	Macro 11, Fast to Slow
	192-207	Macro 12, Fast to Slow
	208-223	Macro 13, Fast to Slow
224-239	Macro 14, Fast to Slow	
240-255	Macro 15, Fast to Slow	

72	000-255	RING 7 RED 0%→100%
73	000-255	RING 7 GREEN 0%→100%
74	000-255	RING 7 BLUE 0%→100%
75	000-015	RING 7 MACRO SELECTION&SPEED Null
	016-031	Macro 1, Fast to Slow
	032-047	Macro 2, Fast to Slow
	048-063	Macro 3, Fast to Slow
	064-079	Macro 4, Fast to Slow
	080-095	Macro 5, Fast to Slow
	096-111	Macro 6, Fast to Slow
	112-127	Macro 7, Fast to Slow
	128-143	Macro 8, Fast to Slow
	144-159	Macro 9, Fast to Slow
	160-175	Macro 10, Fast to Slow
	176-191	Macro 11, Fast to Slow
	192-207	Macro 12, Fast to Slow
	208-223	Macro 13, Fast to Slow
224-239	Macro 14, Fast to Slow	
240-255	Macro 15, Fast to Slow	
76	000-255	RING 8 RED 0%→100%
77	000-255	RING 8 GREEN 0%→100%
78	000-255	RING 8 BLUE 0%→100%
79	000-015	RING 8 MACRO SELECTION&SPEED Null
	016-031	Macro 1, Fast to Slow
	032-047	Macro 2, Fast to Slow
	048-063	Macro 3, Fast to Slow
	064-079	Macro 4, Fast to Slow
	080-095	Macro 5, Fast to Slow
	096-111	Macro 6, Fast to Slow
	112-127	Macro 7, Fast to Slow
	128-143	Macro 8, Fast to Slow
	144-159	Macro 9, Fast to Slow
	160-175	Macro 10, Fast to Slow
	176-191	Macro 11, Fast to Slow
	192-207	Macro 12, Fast to Slow
	208-223	Macro 13, Fast to Slow
224-239	Macro 14, Fast to Slow	
240-255	Macro 15, Fast to Slow	

80	000-255	RING 9 RED 0%→100%
81	000-255	RING 9 GREEN 0%→100%
82	000-255	RING 9 BLUE 0%→100%
83	000-015 016-031 032-047 048-063 064-079 080-095 096-111 112-127 128-143 144-159 160-175 176-191 192-207 208-223 224-239 240-255	RING 9 MACRO SELECTION&SPEED Null Macro 1, Fast to Slow Macro 2, Fast to Slow Macro 3, Fast to Slow Macro 4, Fast to Slow Macro 5, Fast to Slow Macro 6, Fast to Slow Macro 7, Fast to Slow Macro 8, Fast to Slow Macro 9, Fast to Slow Macro 10, Fast to Slow Macro 11, Fast to Slow Macro 12, Fast to Slow Macro 13, Fast to Slow Macro 14, Fast to Slow Macro 15, Fast to Slow
84	000-255	RING 10 RED 0%→100%
85	000-255	RING 10 GREEN 0%→100%
86	000-255	RING 10 BLUE 0%→100%
87	000-015 016-031 032-047 048-063 064-079 080-095 096-111 112-127 128-143 144-159 160-175 176-191 192-207 208-223 224-239 240-255	RING 10 MACRO SELECTION&SPEED Null Macro 1, Fast to Slow Macro 2, Fast to Slow Macro 3, Fast to Slow Macro 4, Fast to Slow Macro 5, Fast to Slow Macro 6, Fast to Slow Macro 7, Fast to Slow Macro 8, Fast to Slow Macro 9, Fast to Slow Macro 10, Fast to Slow Macro 11, Fast to Slow Macro 12, Fast to Slow Macro 13, Fast to Slow Macro 14, Fast to Slow Macro 15, Fast to Slow

	FUNCTION
000-009	Null
010-019	Null
020-029	Null
030-039	Dimmer Curve: Linear
040-049	Dimmer Curve: Square Law
050-059	Dimmer Curve: Inv SQ Law
060-069	Dimmer Curve: S
070-079	Null
080-089	Null
090-099	Null
100-109	Led Frequency Setting Enable
110-119	Led Frequency Setting Disable
120-121	900Hz
122-123	1000Hz
124-125	1100Hz
126-127	1200Hz
128-129	1300Hz
130-131	1400Hz
132-133	1500Hz
134-135	2500Hz
136-137	4000Hz
138-139	5000Hz
140-141	6000Hz
142-143	10KHz
144-145	15KHz
146-147	20KHz
148-149	25KHz
150-199	Null
200-209	Reset All
210-219	Dimmer Speed: Fast
220-229	Dimmer Speed: Smooth
230-239	Dimmer Speed: Tungsten
240-245	Power Mode: Standard
246-251	Power Mode: Quiet
252-255	Null

37 Channels (Mode 3):

CHANNEL	VALUE	FUNCTION
1	000-255	PAN 0°→540°
2	000-255	PAN FINE
3	000-255	TILT 0°→244°
4	000-255	TILT FINE
5	000-255	PAN/TILT SPEED Fast to Slow
6	000-007 008-015 016-131 132-139 140-181 182-189 190-231 232-239 240-247 248-255	STROBE Close Open Strobe from Slow to Fast Open Fast Open Slow Close from Slow to Fast Open Slow Open Fast Close from Slow to Fast Open Random Strobe from Slow to Fast Open
7	000-255	DIMMER 0%→100%
8	000-255	LED DIMMER 0%→100%
9	000-255	LED WASH DIMMER 0%→100%
10	000-255	RING DIMMER 0%→100%
11	000-255	LED 1 0%→100%
12	000-255	LED 2 0%→100%
13	000-255	LED 3 0%→100%
14	000-255	LED 4 0%→100%
15	000-255	LED 5 0%→100%
16	000-255	LED 6 0%→100%
17	000-255	LED 7 0%→100%

18	000-255	LED 8 0%→100%
19	000-255	LED 9 0%→100%
20	000-255	LED 10 0%→100%
21	000-015	LED MACRO SELECTION Null
	016-031	Macro 1
	032-047	Macro 2
	048-063	Macro 3
	064-079	Macro 4
	080-095	Macro 5
	096-111	Macro 6
	112-127	Macro 7
	128-143	Macro 8
	144-159	Macro 9
	160-175	Macro 10
	176-191	Macro 11
	192-207	Macro 12
208-223	Macro 13	
224-239	Macro 14	
240-255	Random Macro	
22	000-255	LED MACRO SPEED Fast to Slow
23	000-255	LED MACRO FADE 0%→100%
24	000-255	LED WASH RED 0%→100%
25	000-255	LED WASH GREEN 0%→100%
26	000-255	LED WASH BLUE 0%→100%
27	000-015	LED WASH MACRO SELECTION Null
	016-031	Macro 1
	032-047	Macro 2
	048-063	Macro 3
	064-079	Macro 4
	080-095	Macro 5
	096-111	Macro 6
	112-127	Macro 7
	128-143	Macro 8
	144-159	Macro 9
	160-175	Macro 10
176-191	Macro 11	

	192-207 208-223 224-239 240-255	Macro 12 Macro 13 Macro 14 Random Macro
28	000-255	LED WASH MACRO SPEED Fast to Slow
29	000-255	LED WASH MACRO FADE 0%→100%
30	000-255	RING RED 0%→100%
31	000-255	RING GREEN 0%→100%
32	000-255	RING BLUE 0%→100%
33	000-015 016-031 032-047 048-063 064-079 080-095 096-111 112-127 128-143 144-159 160-175 176-191 192-207 208-223 224-239 240-255	RING MACRO SELECTION&SPEED Null Macro 1, Fast to Slow Macro 2, Fast to Slow Macro 3, Fast to Slow Macro 4, Fast to Slow Macro 5, Fast to Slow Macro 6, Fast to Slow Macro 7, Fast to Slow Macro 8, Fast to Slow Macro 9, Fast to Slow Macro 10, Fast to Slow Macro 11, Fast to Slow Macro 12, Fast to Slow Macro 13, Fast to Slow Macro 14, Fast to Slow Macro 15, Fast to Slow
34	000-015 016-031 032-047 048-063 064-079 080-095 096-111 112-127 128-143 144-159 160-175 176-191 192-207 208-223 224-239	RING MACRO SELECTION Null Macro 1 Macro 2 Macro 3 Macro 4 Macro 5 Macro 6 Macro 7 Macro 8 Macro 9 Macro 10 Macro 11 Macro 12 Macro 13 Macro 14

	240-255	Random Macro
35	000-255	RING MACRO SPEED Fast to Slow
36	000-255	RING MACRO FADE 0%→100%
37	000-009 010-019 020-029 030-039 040-049 050-059 060-069 070-079 080-089 090-099 100-109 110-119 120-121 122-123 124-125 126-127 128-129 130-131 132-133 134-135 136-137 138-139 140-141 142-143 144-145 146-147 148-149 150-199 200-209 210-219 220-229 230-239 240-245 246-251 252-255	FUNCTION Null Null Null Dimmer Curve: Linear Dimmer Curve: Square Law Dimmer Curve: Inv SQ Law Dimmer Curve: S Null Null Null Led Frequency Setting Enable Led Frequency Setting Disable 900Hz 1000Hz 1100Hz 1200Hz 1300Hz 1400Hz 1500Hz 2500Hz 4000Hz 5000Hz 6000Hz 10KHz 15KHz 20KHz 25KHz Null Reset All Dimmer Speed: Fast Dimmer Speed: Smooth Dimmer Speed: Tungsten Power Mode: Standard Power Mode: Quiet Null

100 Channels (Mode 4):

CHANNEL	VALUE	FUNCTION
1	000-255	PAN 0°→540°
2	000-255	PAN FINE
3	000-255	TILT 0°→244°
4	000-255	TILT FINE
5	000-255	PAN/TILT SPEED Fast to Slow
6	000-007 008-015 016-131 132-139 140-181 182-189 190-231 232-239 240-247 248-255	STROBE Close Open Strobe from Slow to Fast Open Fast Open Slow Close from Slow to Fast Open Slow Open Fast Close from Slow to Fast Open Random Strobe from Slow to Fast Open
7	000-255	DIMMER 0%→100%
8	000-255	LED DIMMER 0%→100%
9	000-255	LED WASH DIMMER 0%→100%
10	000-255	RING DIMMER 0%→100%
11	000-255	LED 1 0%→100%
12	000-255	LED 2 0%→100%
13	000-255	LED 3 0%→100%
14	000-255	LED 4 0%→100%
15	000-255	LED 5 0%→100%
16	000-255	LED 6 0%→100%
17	000-255	LED 7 0%→100%

18	000-255	LED 8 0%→100%
19	000-255	LED 9 0%→100%
20	000-255	LED 10 0%→100%
21	000-015	LED MACRO SELECTION Null
	016-031	Macro 1
	032-047	Macro 2
	048-063	Macro 3
	064-079	Macro 4
	080-095	Macro 5
	096-111	Macro 6
	112-127	Macro 7
	128-143	Macro 8
	144-159	Macro 9
	160-175	Macro 10
	176-191	Macro 11
	192-207	Macro 12
	208-223	Macro 13
224-239	Macro 14	
240-255	Random Macro	
22	000-255	LED MACRO SPEED Fast to Slow
23	000-255	LED MACRO FADE 0%→100%
24	000-255	LED WASH RED 1 0%→100%
25	000-255	LED WASH GREEN 1 0%→100%
26	000-255	LED WASH BLUE 1 0%→100%
27	000-255	LED WASH RED 2 0%→100%
28	000-255	LED WASH GREEN 2 0%→100%
29	000-255	LED WASH BLUE 2 0%→100%
30	000-255	LED WASH RED 3 0%→100%
31	000-255	LED WASH GREEN 3 0%→100%
32	000-255	LED WASH BLUE 3 0%→100%

33	000-255	LED WASH RED 4 0%→100%
34	000-255	LED WASH GREEN 4 0%→100%
35	000-255	LED WASH BLUE 4 0%→100%
36	000-255	LED WASH RED 5 0%→100%
37	000-255	LED WASH GREEN 5 0%→100%
38	000-255	LED WASH BLUE 5 0%→100%
39	000-255	LED WASH RED 6 0%→100%
40	000-255	LED WASH GREEN 6 0%→100%
41	000-255	LED WASH BLUE 6 0%→100%
42	000-255	LED WASH RED 7 0%→100%
43	000-255	LED WASH GREEN 7 0%→100%
44	000-255	LED WASH BLUE 7 0%→100%
45	000-255	LED WASH RED 8 0%→100%
46	000-255	LED WASH GREEN 8 0%→100%
47	000-255	LED WASH BLUE 8 0%→100%
48	000-255	LED WASH RED 9 0%→100%
49	000-255	LED WASH GREEN 9 0%→100%
50	000-255	LED WASH BLUE 9 0%→100%
51	000-255	LED WASH RED 10 0%→100%
52	000-255	LED WASH GREEN 10 0%→100%
53	000-255	LED WASH BLUE 10 0%→100%
54	000-015	LED WASH MACRO SELECTION Null

	016-031 032-047 048-063 064-079 080-095 096-111 112-127 128-143 144-159 160-175 176-191 192-207 208-223 224-239 240-255	Macro 1 Macro 2 Macro 3 Macro 4 Macro 5 Macro 6 Macro 7 Macro 8 Macro 9 Macro 10 Macro 11 Macro 12 Macro 13 Macro 14 Random Macro
55	000-255	LED WASH MACRO SPEED Fast to Slow
56	000-255	LED WASH MACRO FADE 0%→100%
57	000-255	RING 1 RED 0%→100%
58	000-255	RING 1 GREEN 0%→100%
59	000-255	RING 1 BLUE 0%→100%
60	000-015 016-031 032-047 048-063 064-079 080-095 096-111 112-127 128-143 144-159 160-175 176-191 192-207 208-223 224-239 240-255	RING 1 MACRO SELECTION&SPEED Null Macro 1, Fast to Slow Macro 2, Fast to Slow Macro 3, Fast to Slow Macro 4, Fast to Slow Macro 5, Fast to Slow Macro 6, Fast to Slow Macro 7, Fast to Slow Macro 8, Fast to Slow Macro 9, Fast to Slow Macro 10, Fast to Slow Macro 11, Fast to Slow Macro 12, Fast to Slow Macro 13, Fast to Slow Macro 14, Fast to Slow Macro 15, Fast to Slow
61	000-255	RING 2 RED 0%→100%
62	000-255	RING 2 GREEN 0%→100%

63	000-255	RING 2 BLUE 0%→100%
64	000-015 016-031 032-047 048-063 064-079 080-095 096-111 112-127 128-143 144-159 160-175 176-191 192-207 208-223 224-239 240-255	RING 2 MACRO SELECTION&SPEED Null Macro 1, Fast to Slow Macro 2, Fast to Slow Macro 3, Fast to Slow Macro 4, Fast to Slow Macro 5, Fast to Slow Macro 6, Fast to Slow Macro 7, Fast to Slow Macro 8, Fast to Slow Macro 9, Fast to Slow Macro 10, Fast to Slow Macro 11, Fast to Slow Macro 12, Fast to Slow Macro 13, Fast to Slow Macro 14, Fast to Slow Macro 15, Fast to Slow
65	000-255	RING 3 RED 0%→100%
66	000-255	RING 3 GREEN 0%→100%
67	000-255	RING 3 BLUE 0%→100%
68	000-015 016-031 032-047 048-063 064-079 080-095 096-111 112-127 128-143 144-159 160-175 176-191 192-207 208-223 224-239 240-255	RING 3 MACRO SELECTION&SPEED Null Macro 1, Fast to Slow Macro 2, Fast to Slow Macro 3, Fast to Slow Macro 4, Fast to Slow Macro 5, Fast to Slow Macro 6, Fast to Slow Macro 7, Fast to Slow Macro 8, Fast to Slow Macro 9, Fast to Slow Macro 10, Fast to Slow Macro 11, Fast to Slow Macro 12, Fast to Slow Macro 13, Fast to Slow Macro 14, Fast to Slow Macro 15, Fast to Slow
69	000-255	RING 4 RED 0%→100%
70	000-255	RING 4 GREEN 0%→100%

71	000-255	RING 4 BLUE 0%→100%
72	000-015 016-031 032-047 048-063 064-079 080-095 096-111 112-127 128-143 144-159 160-175 176-191 192-207 208-223 224-239 240-255	RING 4 MACRO SELECTION&SPEED Null Macro 1, Fast to Slow Macro 2, Fast to Slow Macro 3, Fast to Slow Macro 4, Fast to Slow Macro 5, Fast to Slow Macro 6, Fast to Slow Macro 7, Fast to Slow Macro 8, Fast to Slow Macro 9, Fast to Slow Macro 10, Fast to Slow Macro 11, Fast to Slow Macro 12, Fast to Slow Macro 13, Fast to Slow Macro 14, Fast to Slow Macro 15, Fast to Slow
73	000-255	RING 5 RED 0%→100%
74	000-255	RING 5 GREEN 0%→100%
75	000-255	RING 5 BLUE 0%→100%
76	000-015 016-031 032-047 048-063 064-079 080-095 096-111 112-127 128-143 144-159 160-175 176-191 192-207 208-223 224-239 240-255	RING 5 MACRO SELECTION&SPEED Null Macro 1, Fast to Slow Macro 2, Fast to Slow Macro 3, Fast to Slow Macro 4, Fast to Slow Macro 5, Fast to Slow Macro 6, Fast to Slow Macro 7, Fast to Slow Macro 8, Fast to Slow Macro 9, Fast to Slow Macro 10, Fast to Slow Macro 11, Fast to Slow Macro 12, Fast to Slow Macro 13, Fast to Slow Macro 14, Fast to Slow Macro 15, Fast to Slow
77	000-255	RING 6 RED 0%→100%
78	000-255	RING 6 GREEN 0%→100%

79	000-255	RING 6 BLUE 0%→100%
80	000-015 016-031 032-047 048-063 064-079 080-095 096-111 112-127 128-143 144-159 160-175 176-191 192-207 208-223 224-239 240-255	RING 6 MACRO SELECTION&SPEED Null Macro 1, Fast to Slow Macro 2, Fast to Slow Macro 3, Fast to Slow Macro 4, Fast to Slow Macro 5, Fast to Slow Macro 6, Fast to Slow Macro 7, Fast to Slow Macro 8, Fast to Slow Macro 9, Fast to Slow Macro 10, Fast to Slow Macro 11, Fast to Slow Macro 12, Fast to Slow Macro 13, Fast to Slow Macro 14, Fast to Slow Macro 15, Fast to Slow
81	000-255	RING 7 RED 0%→100%
82	000-255	RING 7 GREEN 0%→100%
83	000-255	RING 7 BLUE 0%→100%
84	000-015 016-031 032-047 048-063 064-079 080-095 096-111 112-127 128-143 144-159 160-175 176-191 192-207 208-223 224-239 240-255	RING 7 MACRO SELECTION&SPEED Null Macro 1, Fast to Slow Macro 2, Fast to Slow Macro 3, Fast to Slow Macro 4, Fast to Slow Macro 5, Fast to Slow Macro 6, Fast to Slow Macro 7, Fast to Slow Macro 8, Fast to Slow Macro 9, Fast to Slow Macro 10, Fast to Slow Macro 11, Fast to Slow Macro 12, Fast to Slow Macro 13, Fast to Slow Macro 14, Fast to Slow Macro 15, Fast to Slow
85	000-255	RING 8 RED 0%→100%
86	000-255	RING 8 GREEN 0%→100%

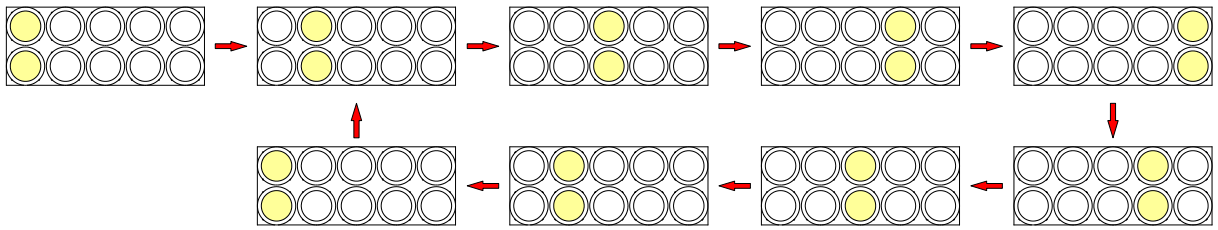
87	000-255	RING 8 BLUE 0%→100%
88	000-015 016-031 032-047 048-063 064-079 080-095 096-111 112-127 128-143 144-159 160-175 176-191 192-207 208-223 224-239 240-255	RING 8 MACRO SELECTION&SPEED Null Macro 1, Fast to Slow Macro 2, Fast to Slow Macro 3, Fast to Slow Macro 4, Fast to Slow Macro 5, Fast to Slow Macro 6, Fast to Slow Macro 7, Fast to Slow Macro 8, Fast to Slow Macro 9, Fast to Slow Macro 10, Fast to Slow Macro 11, Fast to Slow Macro 12, Fast to Slow Macro 13, Fast to Slow Macro 14, Fast to Slow Macro 15, Fast to Slow
89	000-255	RING 9 RED 0%→100%
90	000-255	RING 9 GREEN 0%→100%
91	000-255	RING 9 BLUE 0%→100%
92	000-015 016-031 032-047 048-063 064-079 080-095 096-111 112-127 128-143 144-159 160-175 176-191 192-207 208-223 224-239 240-255	RING 9 MACRO SELECTION&SPEED Null Macro 1, Fast to Slow Macro 2, Fast to Slow Macro 3, Fast to Slow Macro 4, Fast to Slow Macro 5, Fast to Slow Macro 6, Fast to Slow Macro 7, Fast to Slow Macro 8, Fast to Slow Macro 9, Fast to Slow Macro 10, Fast to Slow Macro 11, Fast to Slow Macro 12, Fast to Slow Macro 13, Fast to Slow Macro 14, Fast to Slow Macro 15, Fast to Slow
93	000-255	RING 10 RED 0%→100%
94	000-255	RING 10 GREEN 0%→100%

95	000-255	RING 10 BLUE 0%→100%
96	000-015 016-031 032-047 048-063 064-079 080-095 096-111 112-127 128-143 144-159 160-175 176-191 192-207 208-223 224-239 240-255	RING 10 MACRO SELECTION&SPEED Null Macro 1, Fast to Slow Macro 2, Fast to Slow Macro 3, Fast to Slow Macro 4, Fast to Slow Macro 5, Fast to Slow Macro 6, Fast to Slow Macro 7, Fast to Slow Macro 8, Fast to Slow Macro 9, Fast to Slow Macro 10, Fast to Slow Macro 11, Fast to Slow Macro 12, Fast to Slow Macro 13, Fast to Slow Macro 14, Fast to Slow Macro 15, Fast to Slow
97	000-015 016-031 032-047 048-063 064-079 080-095 096-111 112-127 128-143 144-159 160-175 176-191 192-207 208-223 224-239 240-255	RING MACRO SELECTION Null Macro 1 Macro 2 Macro 3 Macro 4 Macro 5 Macro 6 Macro 7 Macro 8 Macro 9 Macro 10 Macro 11 Macro 12 Macro 13 Macro 14 Random Macro
98	000-255	RING MACRO SPEED Fast to Slow
99	000-255	RING MACRO FADE 0%→100%
100	000-009 010-019 020-029 030-039 040-049 050-059	FUNCTION Null Null Null Dimmer Curve: Linear Dimmer Curve: Square Law Dimmer Curve: Inv SQ Law

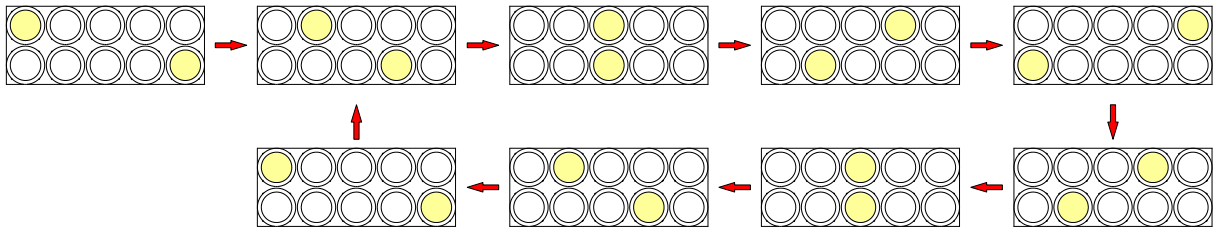
060-069	Dimmer Curve: S
070-079	Null
080-089	Null
090-099	Null
100-109	Led Frequency Setting Enable
110-119	Led Frequency Setting Disable
120-121	900Hz
122-123	1000Hz
124-125	1100Hz
126-127	1200Hz
128-129	1300Hz
130-131	1400Hz
132-133	1500Hz
134-135	2500Hz
136-137	4000Hz
138-139	5000Hz
140-141	6000Hz
142-143	10KHz
144-145	15KHz
146-147	20KHz
148-149	25KHz
150-199	Null
200-209	Reset All
210-219	Dimmer Speed: Fast
220-229	Dimmer Speed: Smooth
230-239	Dimmer Speed: Tungsten
240-245	Power Mode: Standard
246-251	Power Mode: Quiet
252-255	Null

LED / LED WASH MACRO SELECTION:

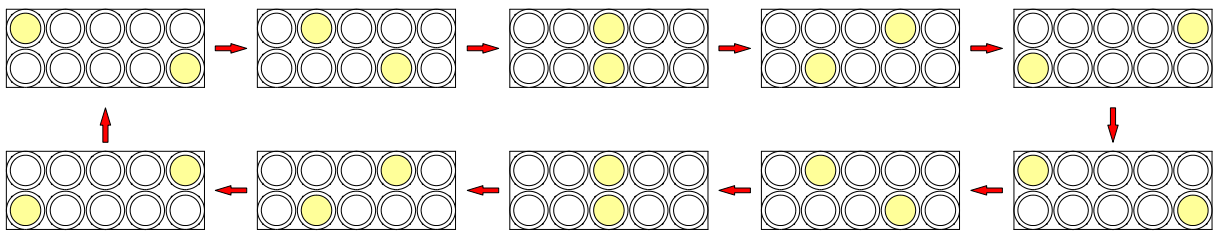
016-031:



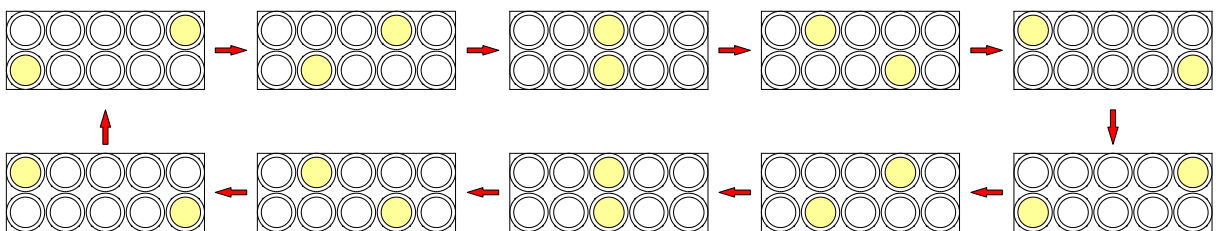
032-047:



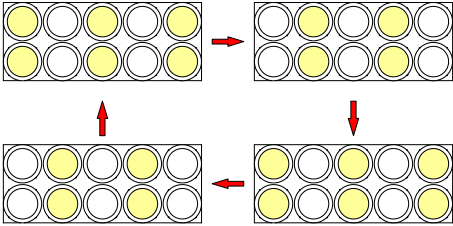
048-063:



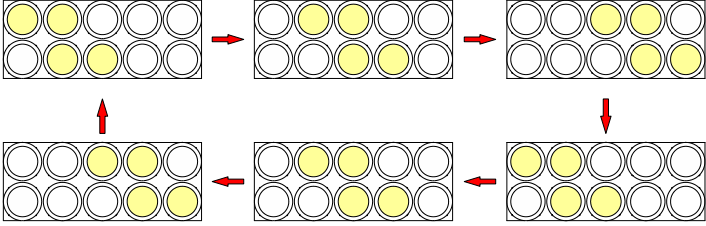
064-079:



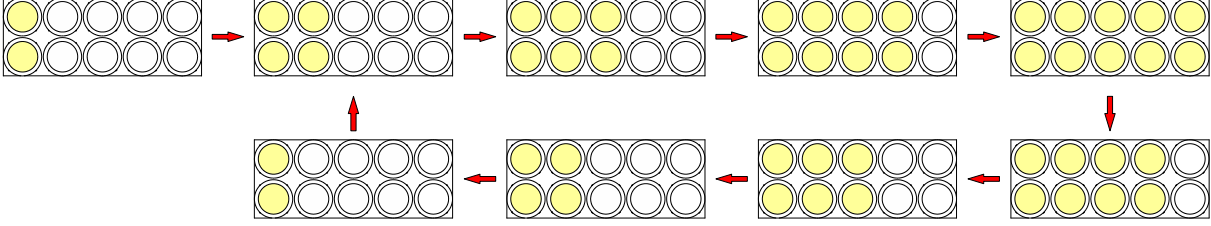
080-095:



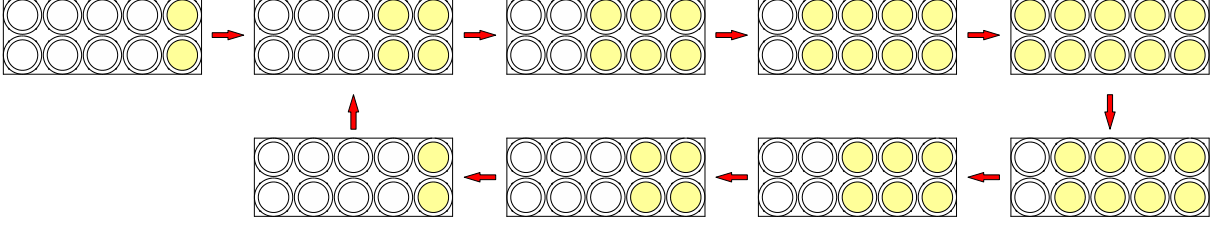
096-111:



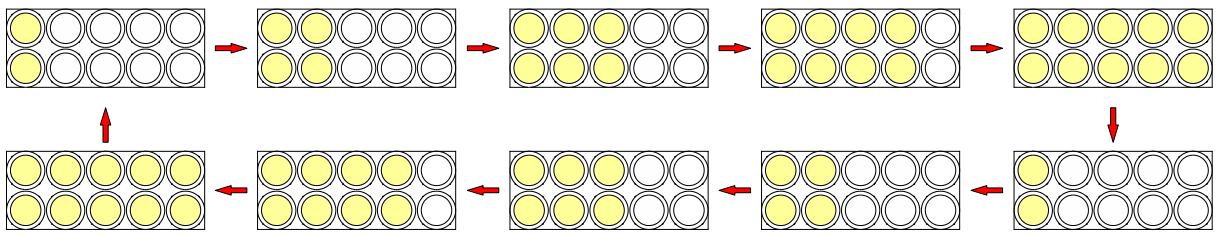
112-127:



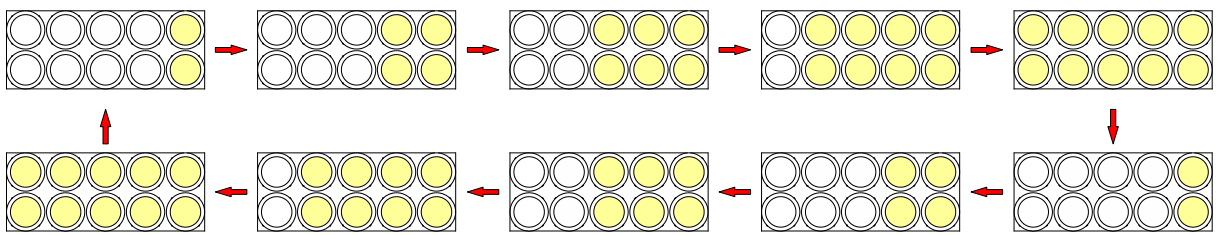
128-143:



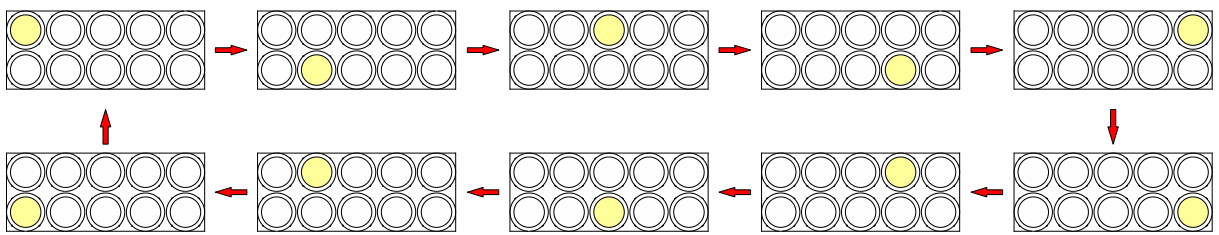
144-159:



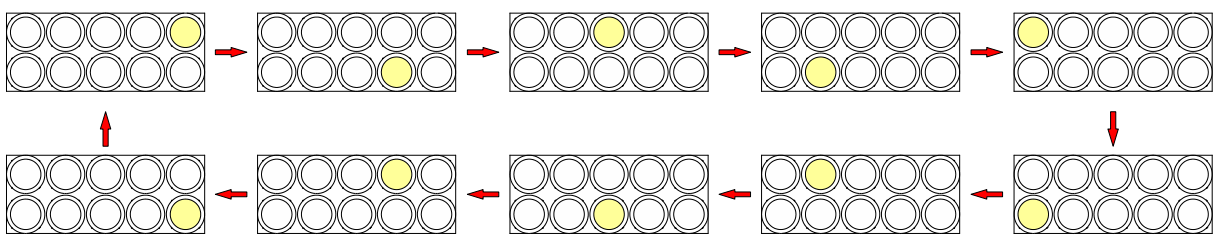
160-175:



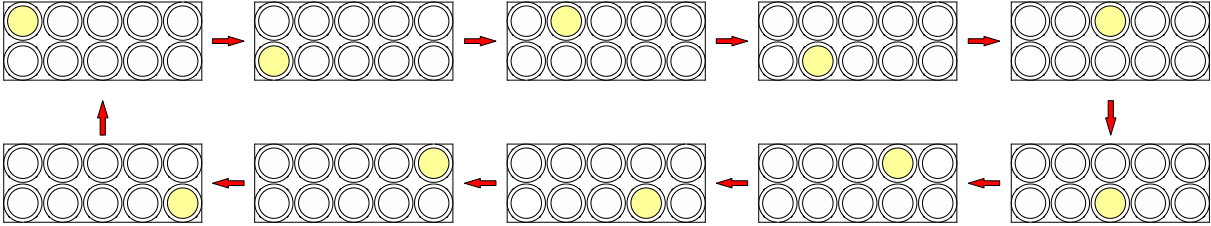
176-191:



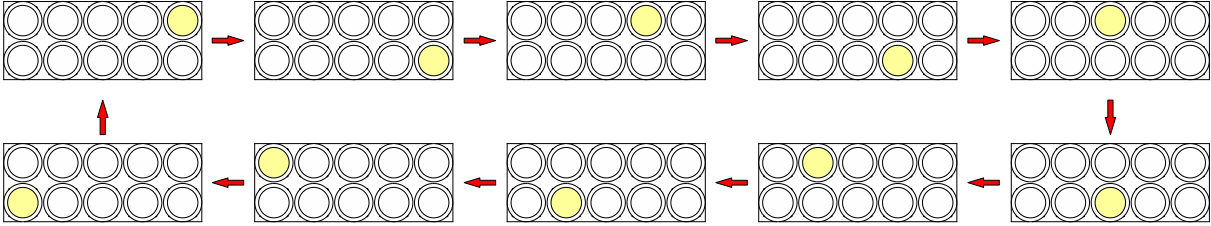
192-207:



208-223:

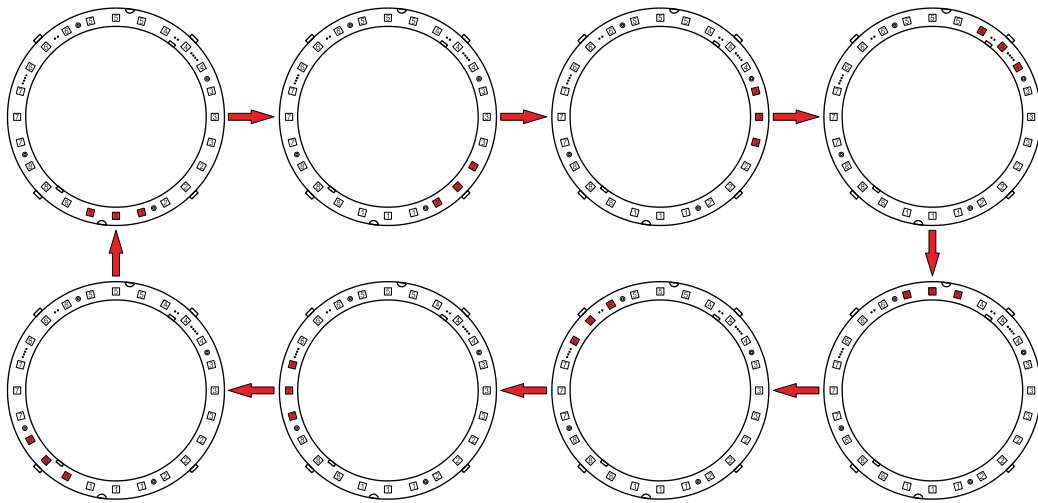


224-239:

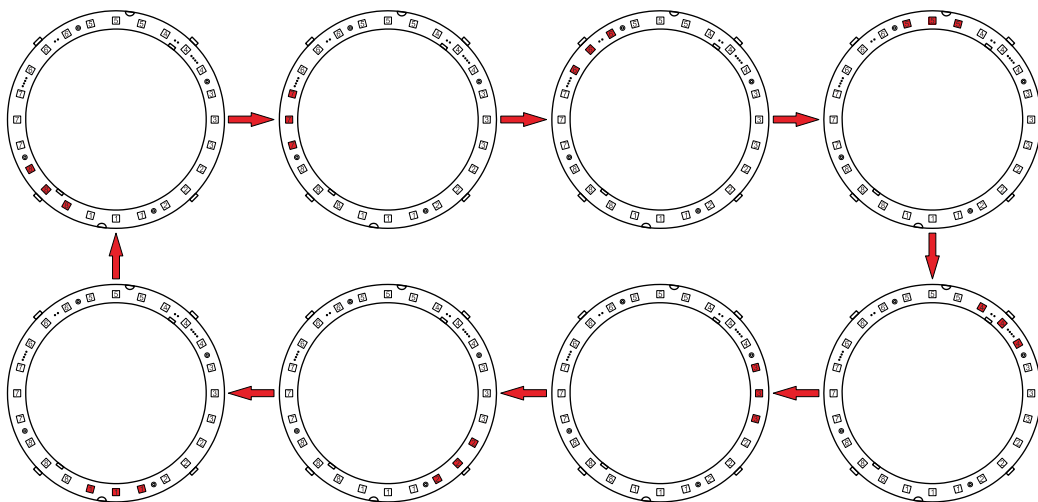


RING MACRO SELECTION - A:

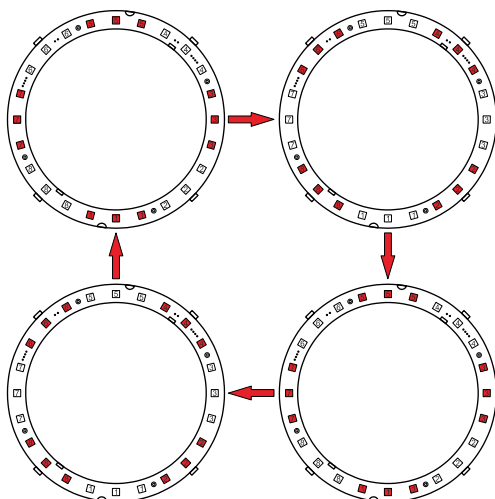
016-031:



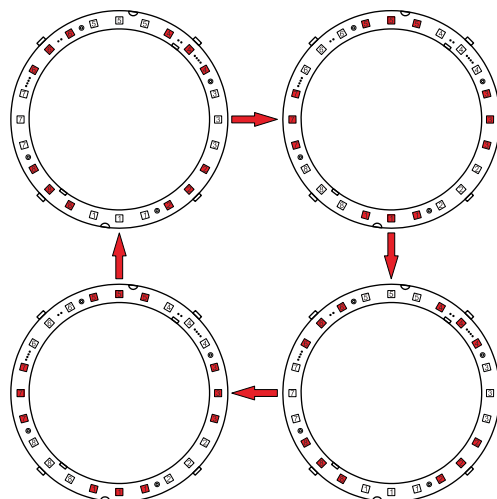
032-047:



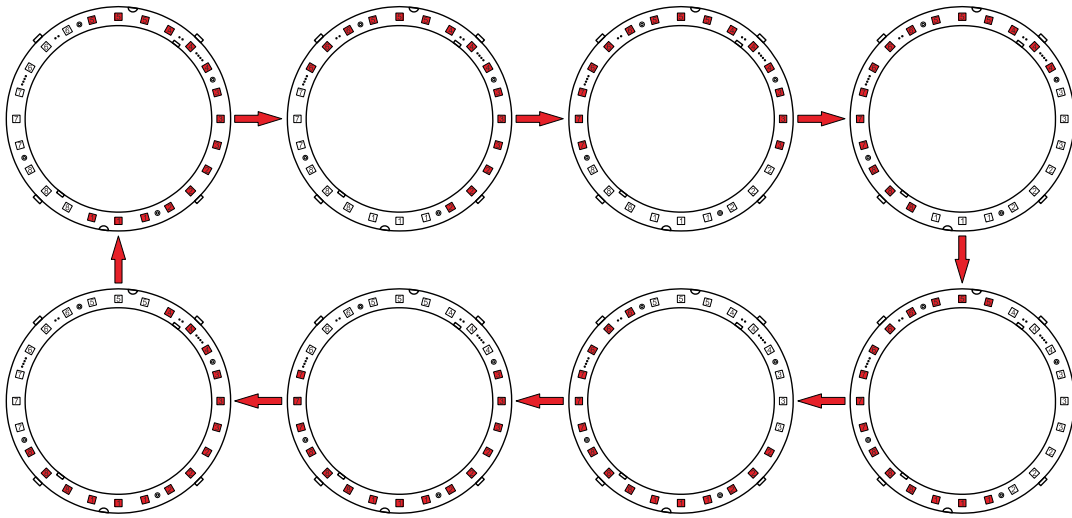
048-063:



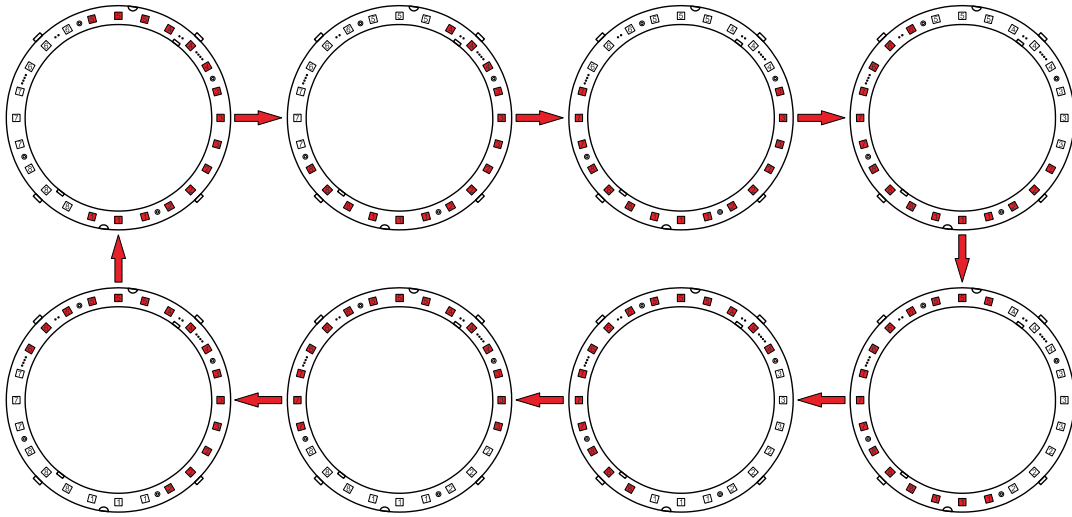
064-079:



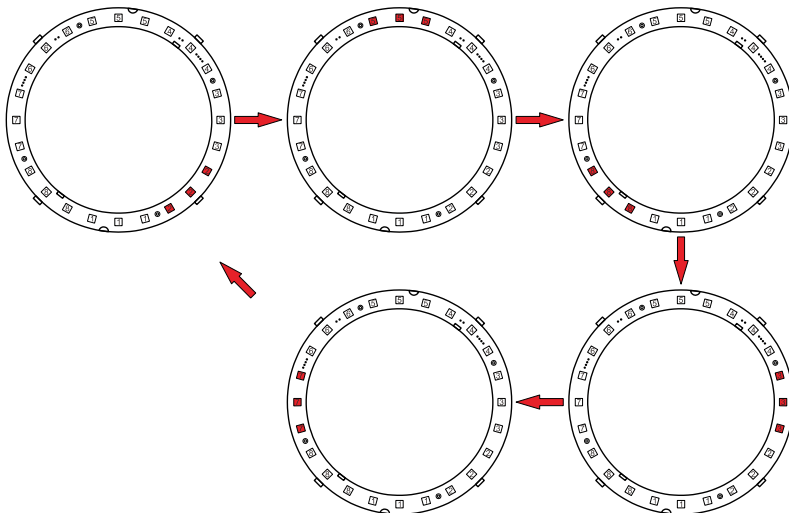
080-095:



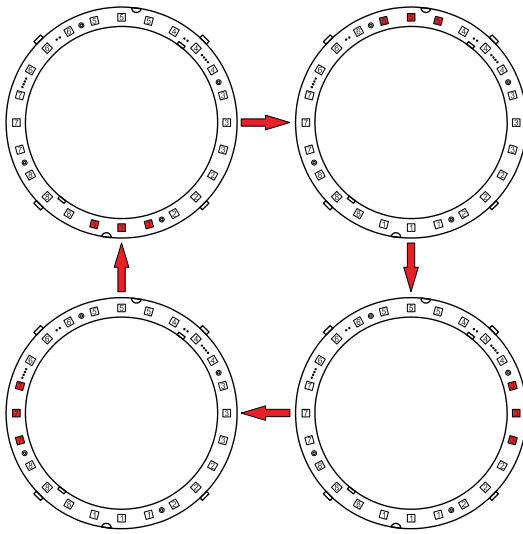
096-111:



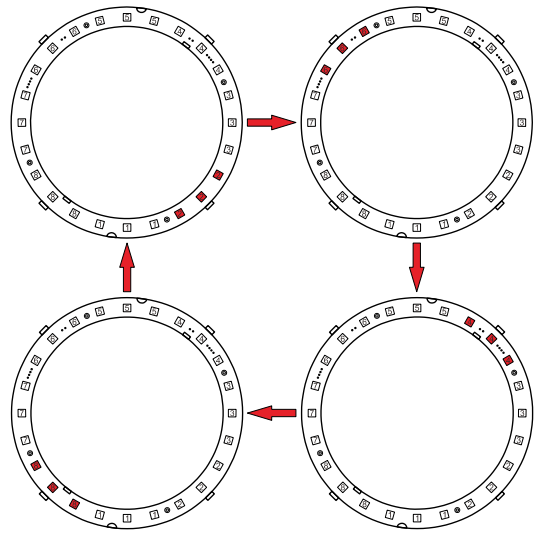
112-127:



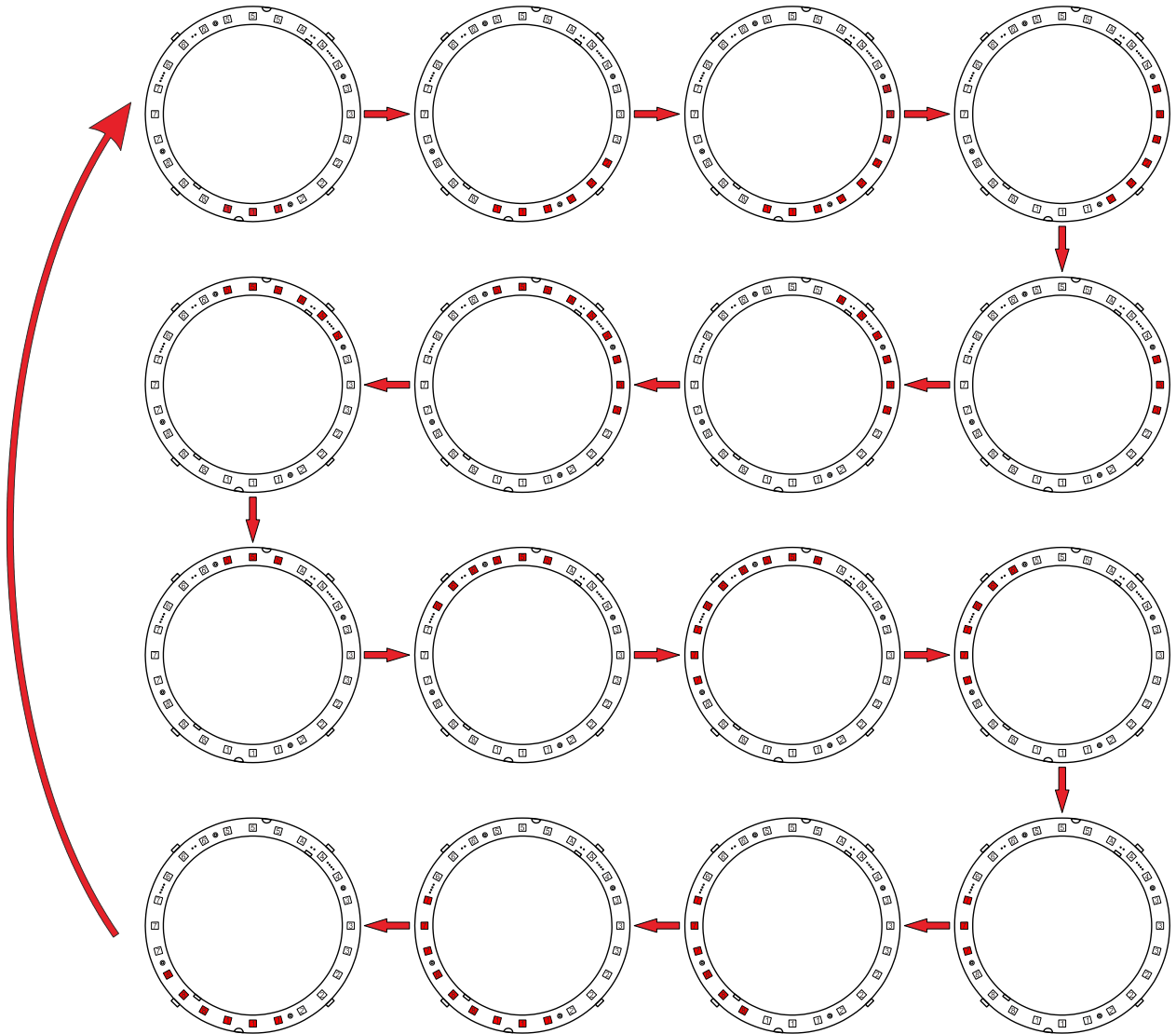
128-143:



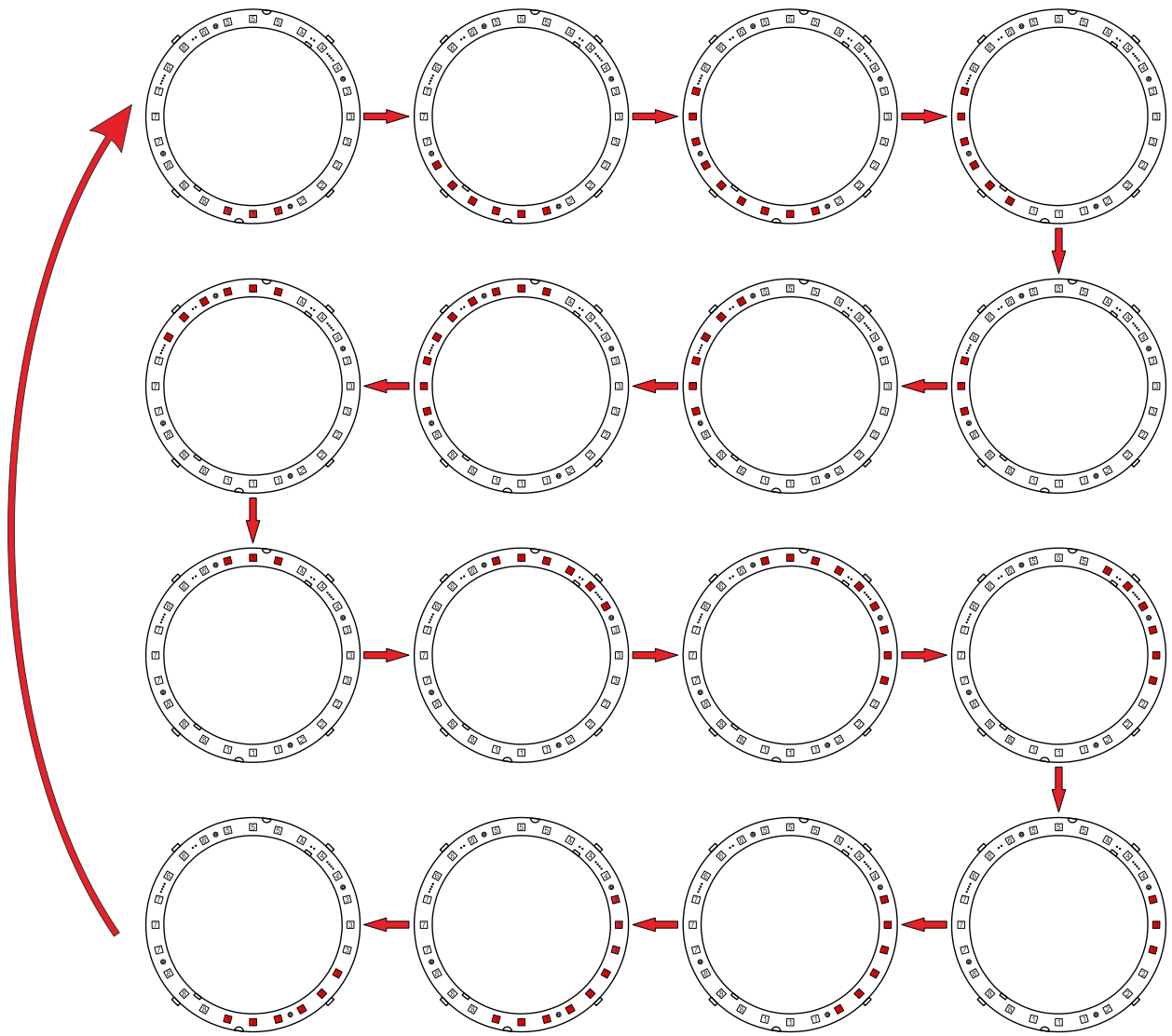
144-159:



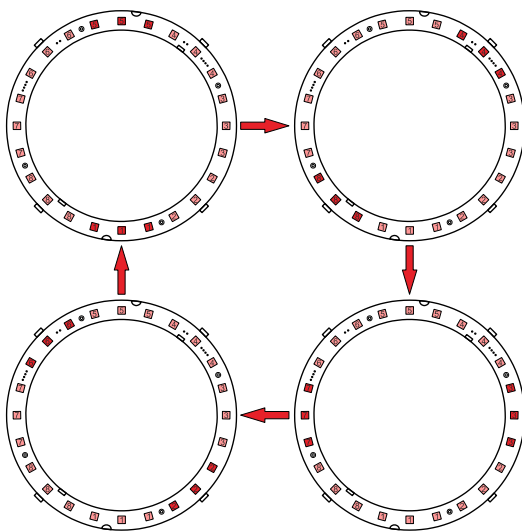
160-175:



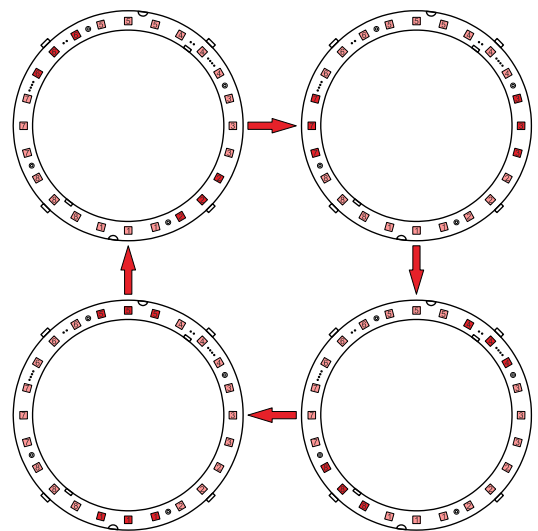
176-191:



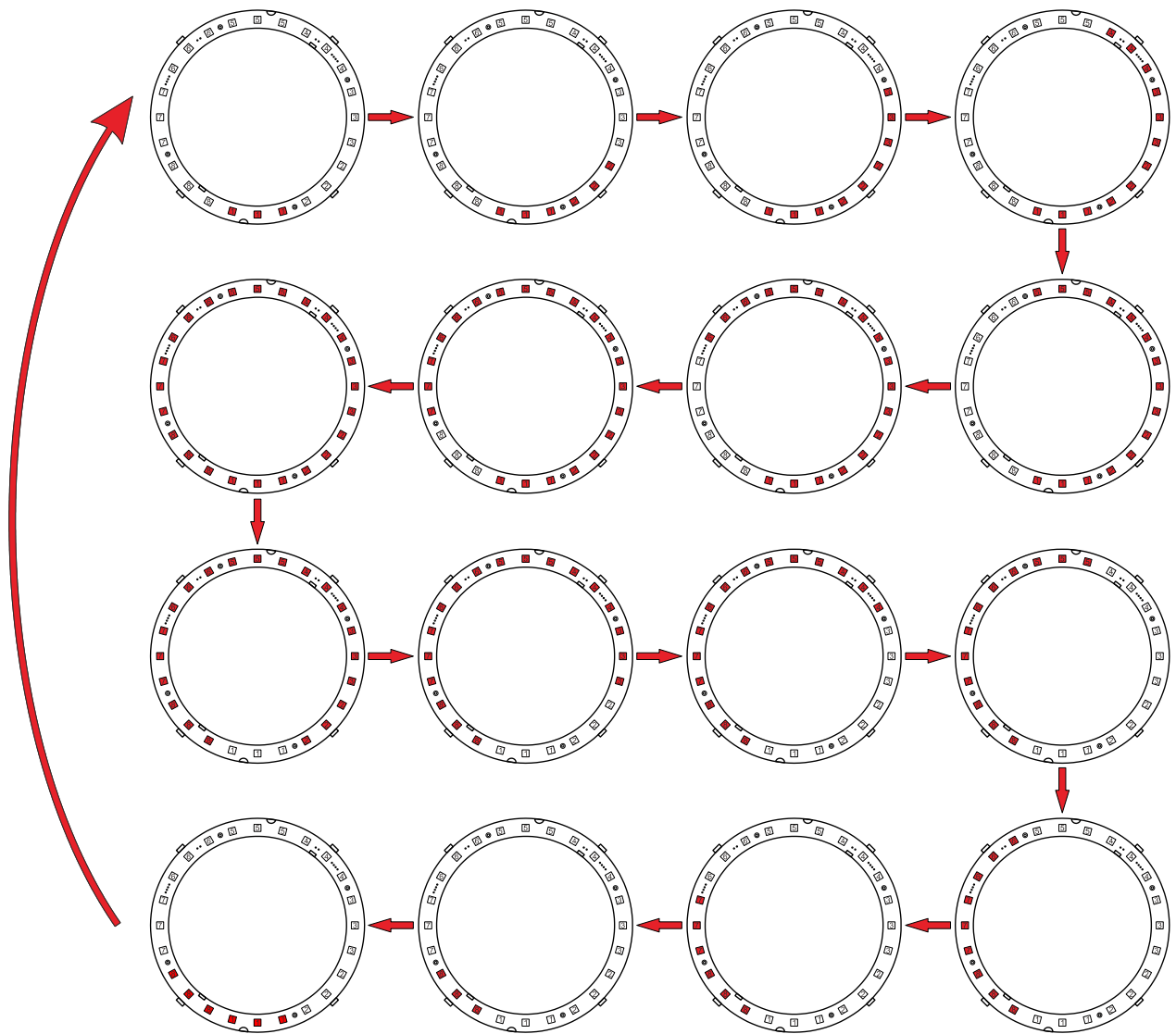
192-207:



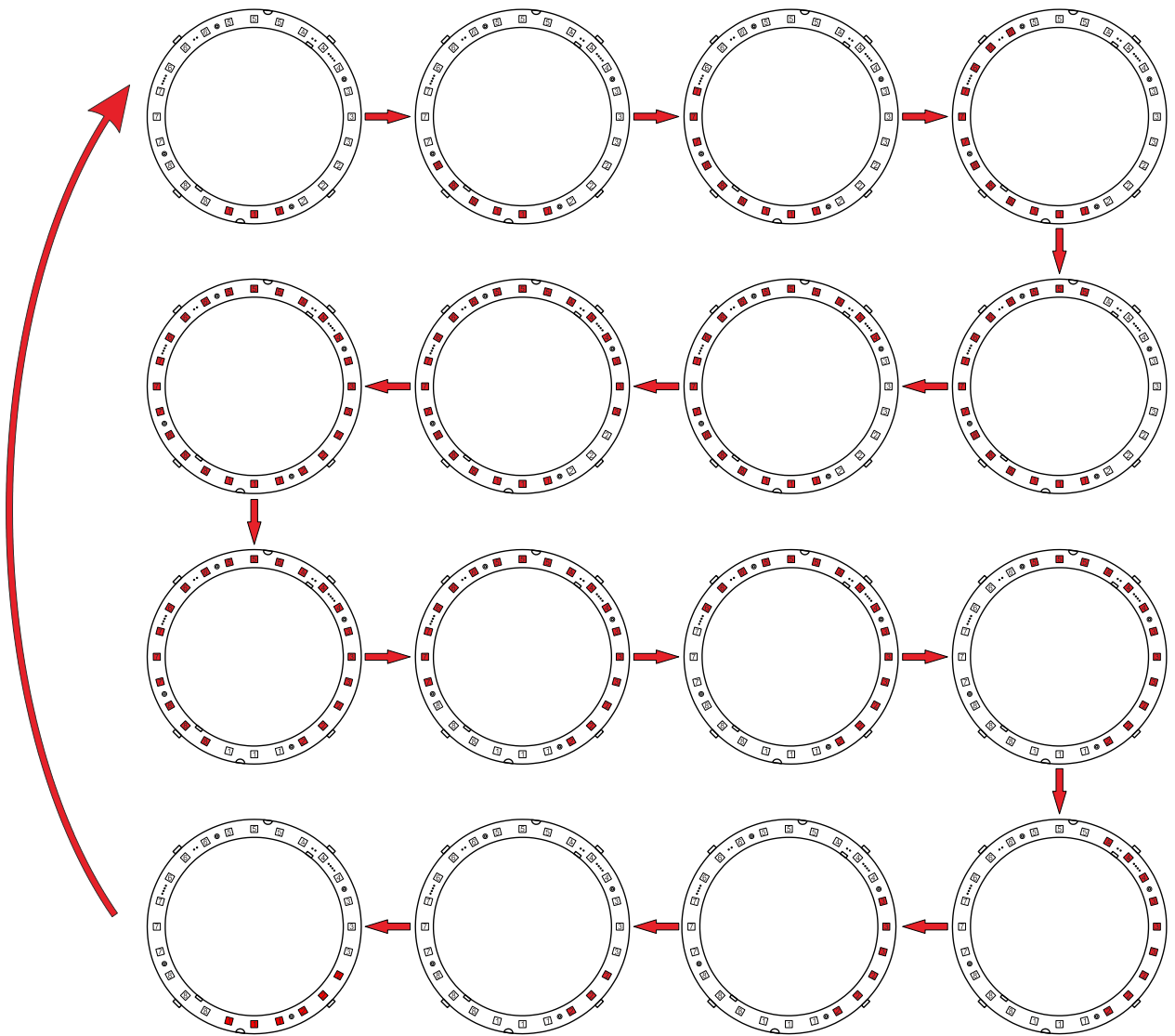
208-223:



224-239:

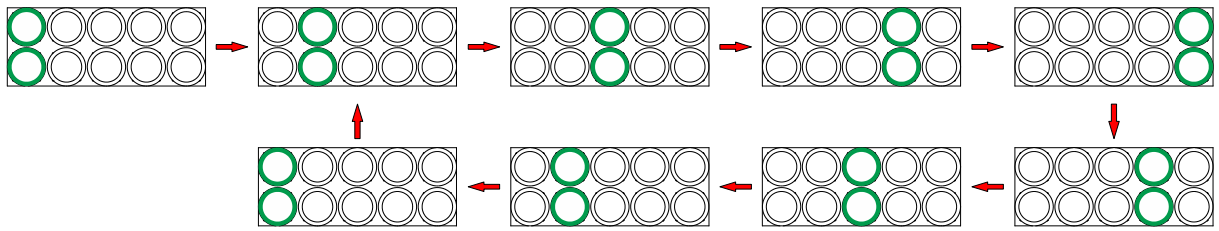


240-255:

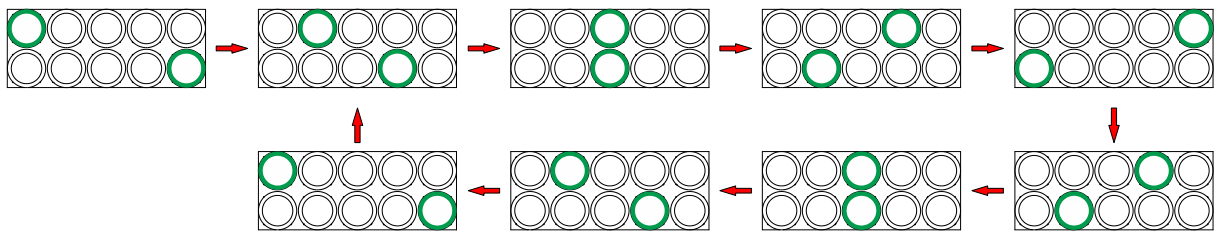


RING MACRO SELECTION - B:

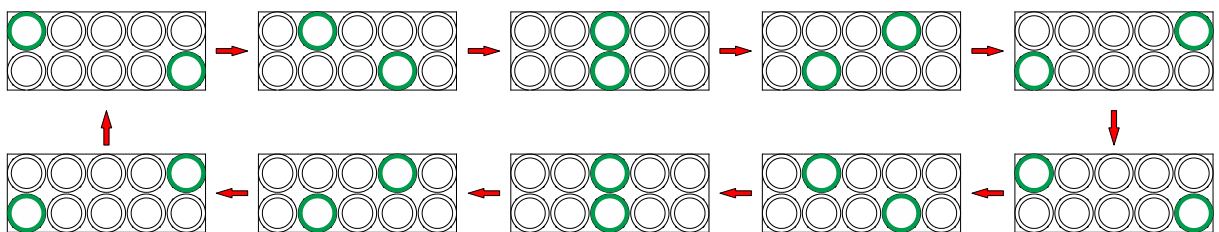
016-031:



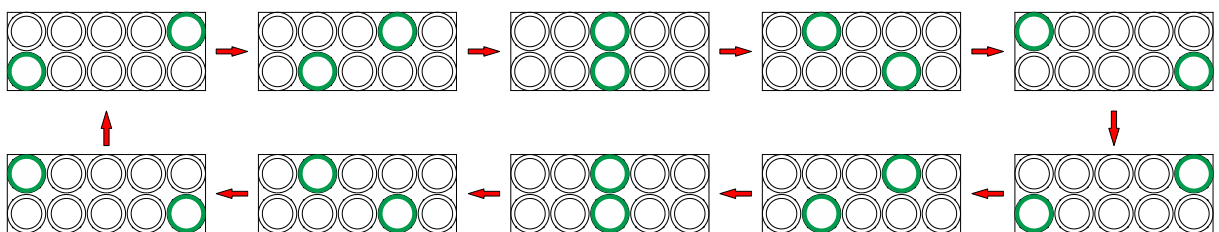
032-047:



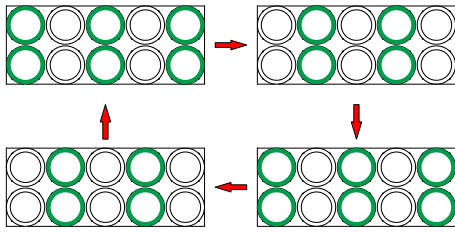
048-063:



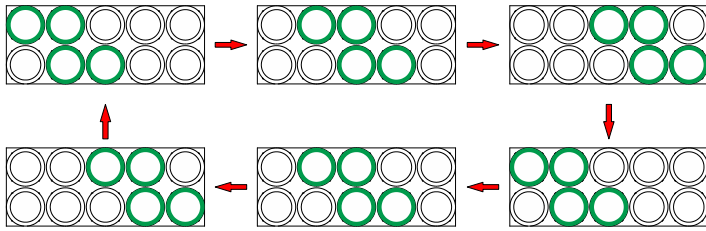
064-079:



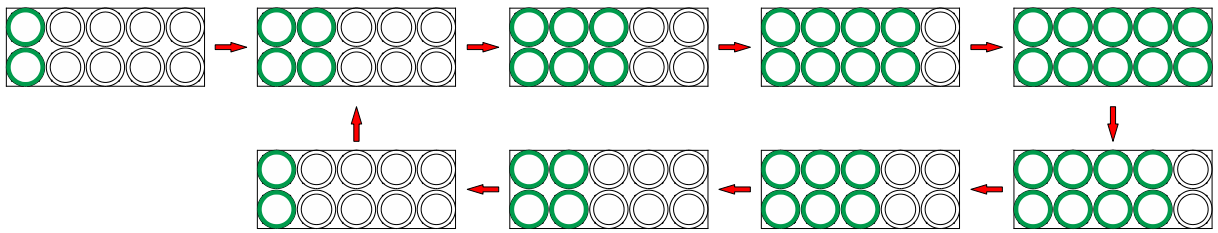
080-095:



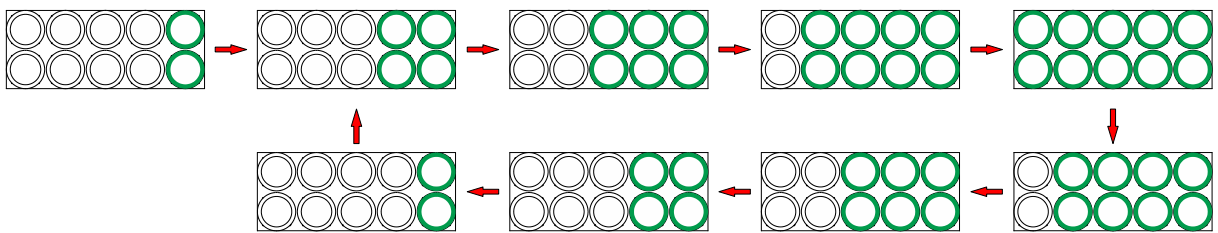
096-111:



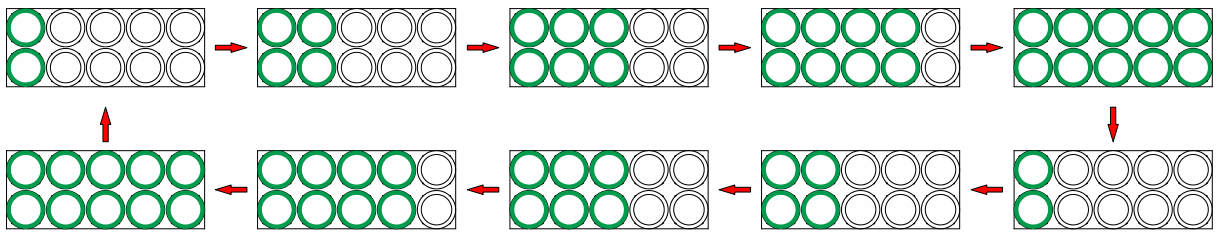
112-127:



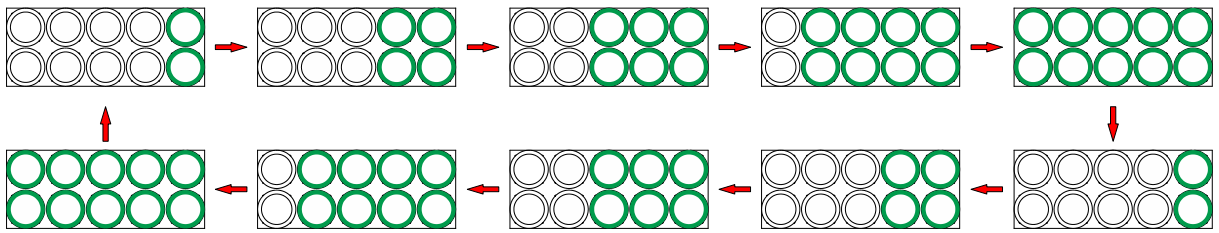
128-143:



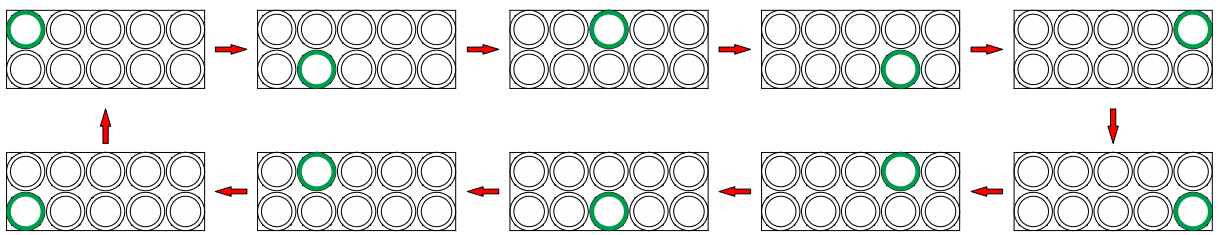
144-159:



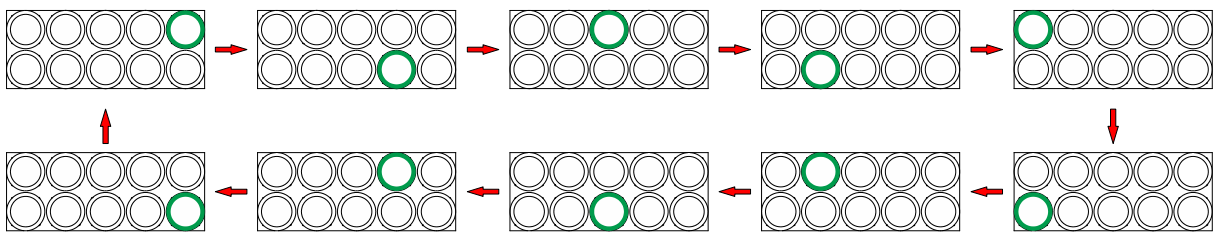
160-175:



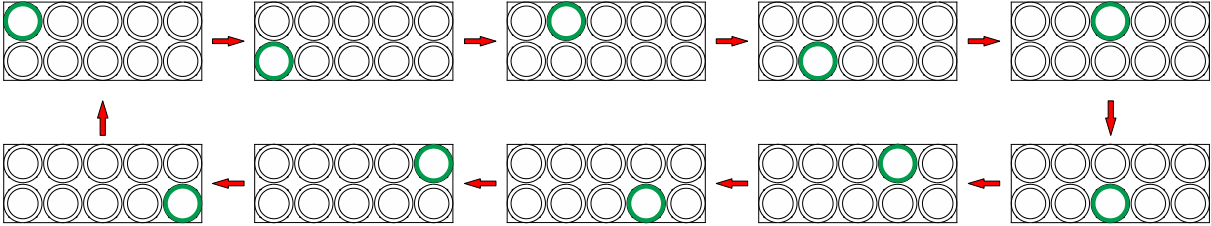
176-191:



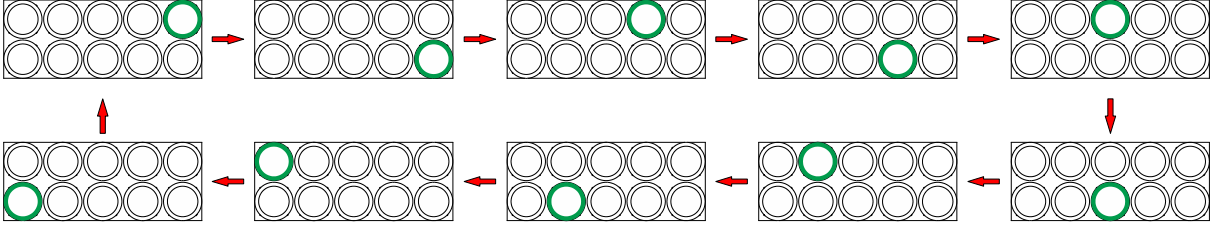
192-207:



208-223:



224-239:



07/ Error Information

Error codes are shown continuously in the display when the fixture fails and they will not disappear until the fixture is repaired.

CPU-B/C/D Error

Check whether the 485 (DATA) leads on the PCB board are installed in place or disconnected.

Check whether the related 485 (DATA) signal circuit on the PCB board is damaged.

Pan Reset Error

Check whether the position of the pan where the magnet is installed falls off or is damaged.

Check whether there are obstacles in the pan operating range.

Check whether the Hall element on the pan is damaged.

Check whether the lead connecting the Hall element on the pan and the PCB board is in poor contact or disconnected.

Check whether the motor on the pan is damaged.

Check whether the related circuit of the motor drive board on the pan is damaged.

Pan Encode Error

Check whether the encoder on the pan is damaged.

Check whether the lead connecting the encoder on the pan and the PCB board is in poor contact or disconnected.

Tilt Reset Error

Check whether the position of the tilt where the magnet is installed falls off or is damaged.

Check whether there are obstacles in the tilt operating range.

Check whether the Hall element on the tilt is damaged.

Check whether the lead connecting the Hall element on the tilt and the PCB board is in poor contact or disconnected.

Check whether the motor on the tilt is damaged.

Check whether the related circuit of the motor drive board on the tilt is damaged.

Tilt Encode Error

Check whether the encoder on the tilt is damaged.

Check whether the lead connecting the encoder on the tilt and the PCB board is in poor contact or disconnected.

LED Temp. 1/2/3/4/5 Error

Check whether the temperature detecting board is normal.

Check whether the components of the temperature detecting board are damaged.

Check whether the lead on the temperature detecting board is installed in place or disconnected.

HeadFan1/2/3/4/5/6/7 Start Error

Check whether the fan is not running.

Check whether the fan leads are installed in place or disconnected.

Check whether the fan is damaged.

Check whether there are obstacles in the fan operating range.

Color Cal IC Error

Check if the color calibration IC is damaged.

Check whether the color calibration IC board is inserted well and whether the electronic components are well soldered.

Check if the motherboard is malfunctioning.

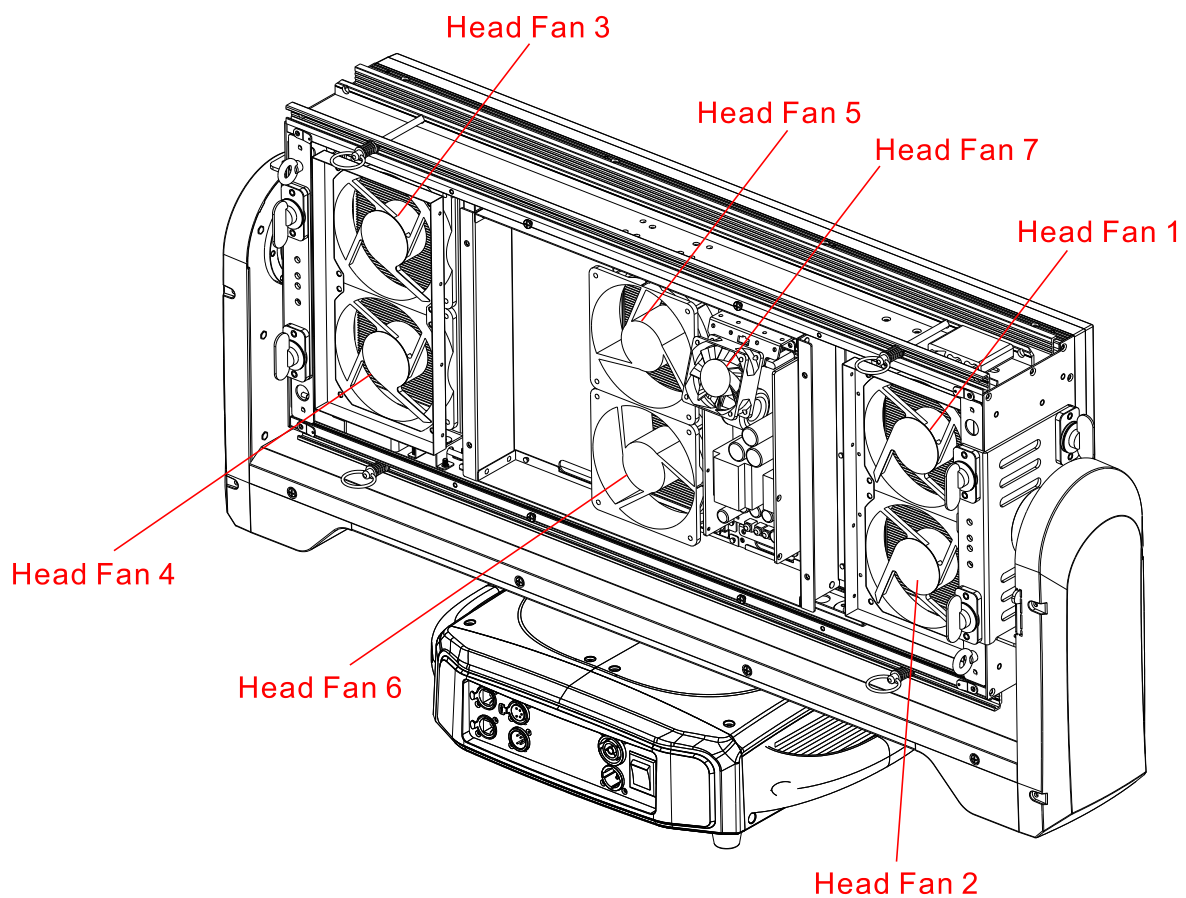
Check whether the R76 bit resistors and other components on the motherboard are well soldered.

LED Timeout Use

LED Too Hot Off

When the fixture temperature reaches 80°C, it will automatically turn off to protect the fixture.

Position of cooling fans:



08/ Troubleshooting

Following are a few common problems that may occur during operation. Here are some suggestions for troubleshooting:

A. The unit does not work, no light and the fan does not work

- ▶ Check the connected power.
- ▶ Measure the voltage.
- ▶ Check the power indicator to see whether it can be lit up or not.

B. Not responding to the DMX controller

- ▶ Check whether the DMX connectors and the DMX cables are connected correctly.
- ▶ Check whether the DMX address is correctly set.
- ▶ If the intermittent DMX signal problem occurs, check whether the XLR socket and the signal cable are well connected.
- ▶ Try it with another DMX controller.
- ▶ Check whether the DMX cables run near or alongside to the high-voltage cables, which may damage or interfere with the signal circuit.

C. One of the channels is not working well

- ▶ The stepper motor might be damaged or the cable connected to the PCB might be broken.
- ▶ The motor's drive IC on the PCB might be out of condition.

09/ Fixture Cleaning

It is absolutely essential that the fixture is kept clean to ensure the maximum light-output and allow the fixture to function reliably throughout its life. The fixture must be cleaned regularly to avoid dust, dirt and smoke-fluid residues building up on or within the fixture. The cleaning frequency depends on the application environment. Clean the fixture immediately if the dust enters it to avoid damage to the optical lens due to excessive dust.

- ▶ A soft lint-free cloth moistened with any good glass cleaning fluid is recommended, under no circumstances should solvents be used.
- ▶ Always dry the parts carefully.
- ▶ Clean the external optical lens at least every 20 days.

Declaration of Conformity

We declare that our products (lighting equipments) comply with the following specification and bears CE mark in accordance with the provision of the Electromagnetic Compatibility (EMC) Directive 2014/30/EU.

EN 55032: 2015+A1: 2020; EN IEC 61000-3-2: 2019+A1: 2021;
EN 61000-3-3: 2013+A1: 2019+A2: 2021;
EN 55035: 2017+A11: 2020.

&

Harmonized Standard

EN IEC 60598-1: 2021; EN IEC 60598-2-17: 2018;
EN 62493: 2015.

Safety of household and similar electrical appliances
Part 1: General requirements and tests

Certifications

cETLus Approved (Control #5000057)



www.acmelighting.com