

SUPERNOVA

XA 2000 BSWF IP

FEATURES

- Fitted with 1,800W LED engine
- Diameter of Frontal Lens: 225 mm
- Zoom Range: 4°-48°
- Total Lumen Output of Fixture: 65,000 lm
- Color Temperature Output of Fixture: 6,700K
- Standard Mode: Ra≥72, HCRI Mode: Ra≥90
- Linear CMY color mixing
- Variable CTO ranging from 2,700K-6,700K
- 2 Rotating Gobo Wheels:
 - Rotating Gobo Wheels 1: 6 gobos, plus open
 - Rotating Gobo Wheels 2: 6 gobos, plus open
- 2 Color Wheels:
 - Color Wheels 1: 4 colors, plus open
 - Color Wheels 2: 5 colors, plus open
- Animation Wheel: A graphic animation wheel with continuous rotation in both directions, used alone or in combination with gobos to create the splendid water wave effect, and can be changed into other wheels
- 1 x 4-facet prism, 1 x 4-facet linear prism, rotatable in both directions
- 1 combinable light frost filter and 1 combinable medium frost filter
- linear and gradient wash effect
- Motorized linear iris
- 4 Rotating full blackout framing shutter blades with individual positionable;
 - Rotation of the framing system module: ±60°
- IP66 rated, can be outdoor use all year round



TECHNICAL SPECIFICATIONS

Light Source

- Light Source: 1,800W LED Engine
- Color Temperature: 6,700 K
- Total Lumen Output of Fixture: 65,000 lm
- Life Expectancy: 20,000 hours*

Optical System

- Zoom Range: 4°-48°
- Diameter of Front Lens: 225 mm

Control and Program

- 4-Button touch panel
- Display: LCD display
- Protocols: DMX512, RDM, Art-Net
- DMX Protocol Modes: 4
- Control Channels: 43/34/32/23
- Firmware Upgrade: Upgrade via DMX link or USB disk

Movement

- Pan Movement: 540°
- Tilt Movement: 270°
- Automatic Pan/Tilt position correction
- Moving-head operated with either 16-bit resolution
- Fixation: Pan/ Tilt lock

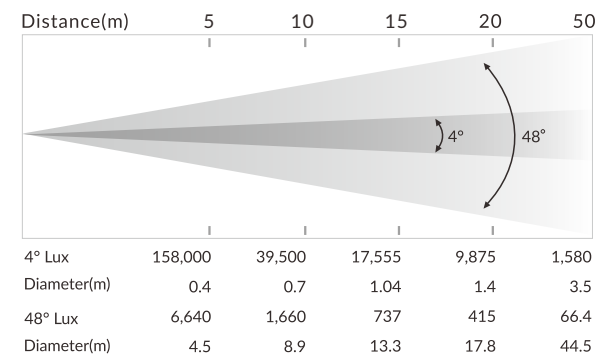
Electrical and Connectors

- Input Voltage Range: 180-240V~50/60Hz
- Power Consumption: 2,265W
- Power In/Out: Waterproof power connector in/out
- Data In/Out: 3-pin or 5-pin waterproof XLR, RJ45
- Protection Rating: IP66

Specification

- Fixture Dimensions: 471 x 365 x 830 mm (18.5" x 14.4" x 32.9")
- Weight: 51.5 kg (113.5 lbs)
- Flight Case Dimensions: 780 x 595 x 905 mm (30.7" x 23.4" x 35.6")
- Weight: 103.5 kg (228.2 lbs) (include flight case, one per flight case) tbd
- Carton Dimensions: 750 x 575 x 805 mm (29.5" x 22.6" x 31.7")
- Weight: 61.5 kg (135.6 lbs) (include carton, one per carton)

PHOTOMETRICS DIAGRAM



(*Lamp's working life depends on the cycle ratio of its usage pattern and other environmental factors, such as dust, oil, temperature, humidity, etc.)



FUNCTIONAL EFFECT

CMY+CTO



Color Wheel-1



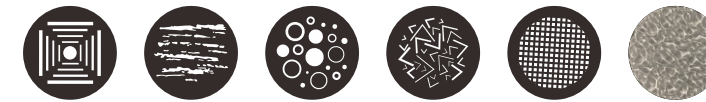
Color Wheel-2



Rotating Gobo Wheel 1



Rotating Gobo Wheel 2



Animation Wheel



Framing Module



Linear Iris



4-Facet Prism



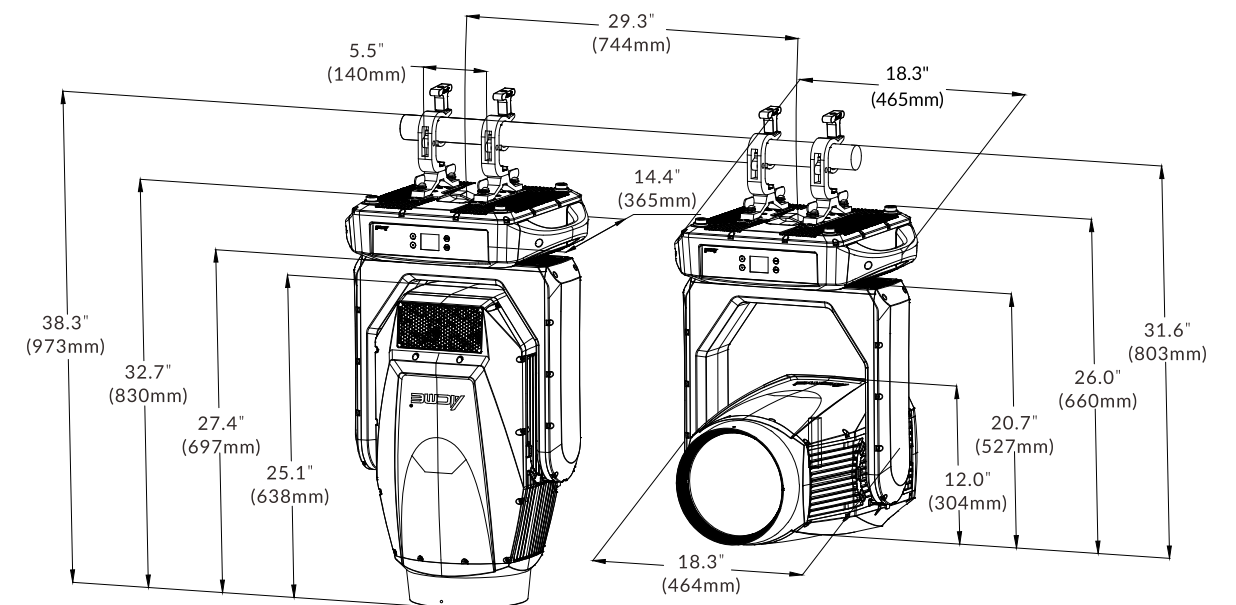
4-Facet linear prism



Frost Filter



DIMENSIONS



EXTERIOR / OUTDOOR

EXTERIOR / OUTDOOR