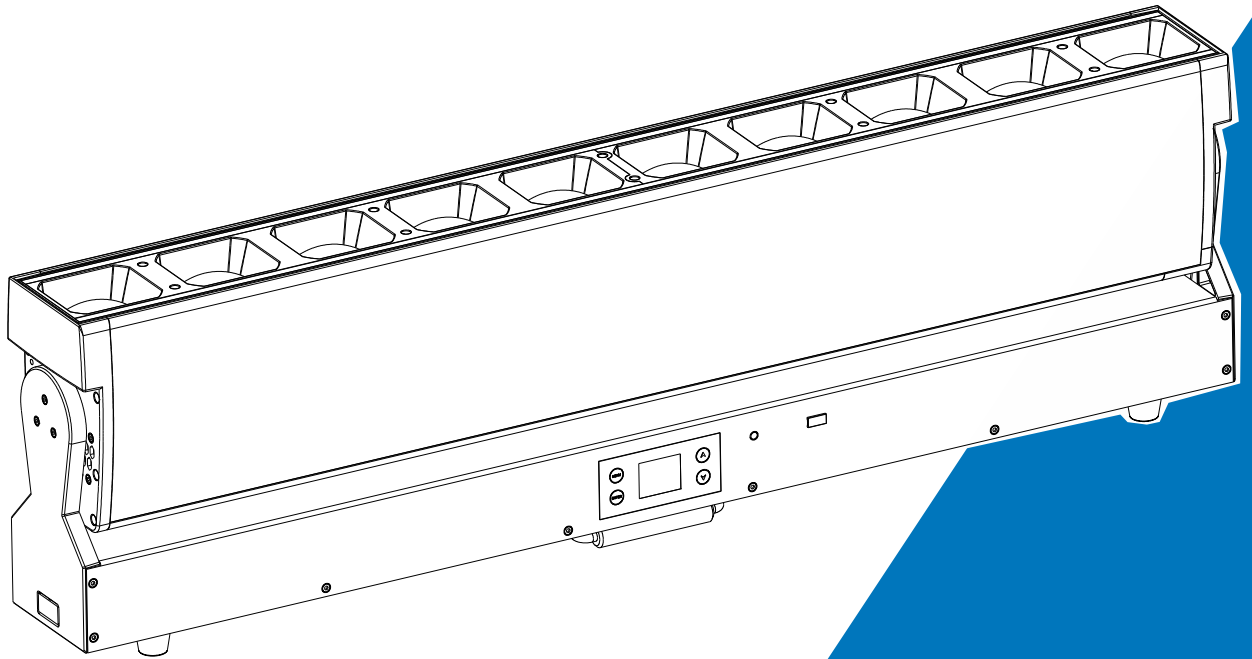




Super Dotline



User Manual

Please read the instruction carefully before use

CONTENTS

01/ Safety Instructions.....	2
02/ Technical Specifications	6
03/ Control Panel.....	8
04/ Fixture Installation.....	9
4.1 Hanging the Fixture	10
4.2 Splicing the Fixtures	10
05/ How To Set The Unit.....	13
5.1 Main Functions.....	13
5.2 Home Position Adjustment	29
06/ Control By Universal DMX Controller	39
6.1 DMX512 Connection.....	39
6.2 Address Setting.....	40
6.3 DMX512 Configuration.....	41
07/ Error Information	92
08/ Troubleshooting	95
09/ Fixture Cleaning.....	96

01/ Safety Instructions



Please read the instruction carefully which includes important information about the installation, usage and maintenance.

WARNING

Please keep this User Guide for future consultation. If you sell the unit to another user, be sure that they also receive this instruction manual.

Important:

Damages caused by the disregard of this user manual are not subject to warranty. The dealer will not accept liability for any resulting defects or problems.

- Unpack and check carefully to ensure that there is no transportation damage before using the unit.
- This product is for indoor use only. Use only in a dry location.
- DO install and operate by qualified operator.
- DO NOT allow children to operate the fixture.
- Use safety chain when fixing the unit. Handle the unit by carrying its base instead of head only.
- The unit must be installed in a location with adequate ventilation, at least 50cm from adjacent surfaces.
- Be sure that no ventilation slots is blocked, otherwise the unit will be overheated.
- Before operation, ensure that you are connecting this product to the proper voltage in accordance with the specifications in this manual or on the product's specification label.
- It's important to ground the yellow/green conductor to earth in order to avoid electric shock.
- Minimum ambient temperature TA: 0°C. Maximum ambient temperature TA: 40°C. Do not operate this product at a lower or higher temperature.
- DO NOT connect the device to any dimmer pack.
- Keep flammable materials away from the fixture while operating to avoid fire hazard.
- Make sure the power cord is not crimped or damaged; replace it immediately if damaged.
- Unit's surface temperature may reach up to 75°C. DO NOT touch the housing bare-handed during its operation.
- Avoid any flammable liquids, water or metal from entering the unit. Once it happens, cut

off the mains power immediately.

- DO NOT operate in a dirty or dusty environment. DO clean the fixture regularly.
- DO NOT touch any wire during operation as there might be a hazard of electric shock.
- Avoid entanglement of the power cord with other wires.
- The minimum distance to objects/surface must be more than 0.5 meters.
- Disconnect mains power before fuse replacement or servicing.
- Replace fuse only with the same type.
- In the event of serious operating problem, stop using the unit immediately.
- Never turn on and off the unit time after time.
- The housing, the lenses, or the ultraviolet filter must be replaced if they are visibly damaged.
- DO NOT open the housing as there are no user serviceable parts inside.
- DO NOT attempt to operate this unit if it becomes damaged. DO NOT attempt any repairs yourself. Repairs carried out by unskilled people can lead to damage or malfunction. Please contact the nearest authorized technical assistance center if needed.
- Disconnect this product from its power source before servicing.
- DO use the original packaging if the device is to be transported.
- Avoid direct eye exposure to the light source while the product is on.
- DO NOT operate this product if you see damage on the housing, shields, or cables. Have the damaged parts replaced by an authorized technician at once.

01/ Consignes de sécurité



Veillez lire attentivement les instructions qui contiennent des informations importantes sur l'installation, l'utilisation et l'entretien.

ATTENTION

Veillez conserver ce guide de l'utilisateur pour une consultation future. Si vous vendez l'appareil à un autre utilisateur, assurez-vous qu'il reçoive également ce manuel d'instructions.

Important:

Les dommages causés par le non-respect de ce manuel d'utilisation ne sont pas couverts par la garantie. Le revendeur n'acceptera aucune responsabilité pour les défauts ou problèmes qui en résultent.

- Déballez et vérifiez soigneusement qu'il n'y a pas de dommages dus au transport avant d'utiliser l'appareil.
- Ce produit est destiné à un usage intérieur uniquement. Il doit donc être utilisé uniquement dans un endroit sec.
- L'installation et la mise en fonctionnement doit être effectué par un opérateur qualifié.
- NE PAS permettre aux enfants d'utiliser l'appareil.
- Utilisez une chaîne de sécurité lors de la fixation de l'unité. Manipulez l'appareil en portant sa base au lieu de la tête uniquement.
- L'unité doit être installée dans un endroit avec une ventilation adéquate, à au moins 50cm des surfaces adjacentes.
- Assurez-vous qu'aucune fente d'aération du luminaire n'est obstruée, sinon il risque de surchauffer.
- Avant toute utilisation, assurez-vous que vous connectez ce luminaire à la tension appropriée conformément aux spécifications que vous trouverez dans ce manuel ou sur l'étiquette des spécifications collée sur la base du luminaire.
- Il est important de relier le file jaune/vert à la terre afin d'éviter tout choc électrique.
- Température ambiante minimale TA: 0°C. Température ambiante maximale TA: 40°C. N'utilisez pas ce luminaire à des températures inférieures ou supérieures.
- NE PAS connecter le luminaire à un pack de gradateurs.
- Gardez les matériaux inflammables à l'écart du luminaire pendant le fonctionnement

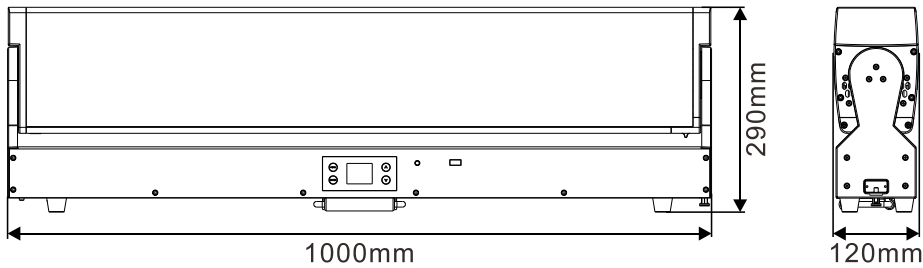
pour éviter tout risque d'incendie.

- Assurez-vous que le cordon d'alimentation n'est pas pincé ou endommagé; remplacez-le immédiatement s'il est endommagé.
- La température de surface de l'unité peut atteindre 75°C. NE PAS toucher les capots à mains nues pendant son fonctionnement.
- Évitez que des liquides inflammables, de l'eau ou du métal ne pénètrent dans l'appareil. Si cela se produit, coupez immédiatement l'alimentation secteur.
- NE PAS utiliser le luminaire dans un environnement sale ou poussiéreux. Cette appareil doit être nettoyer régulièrement.
- NE touchez AUCUN file pendant le fonctionnement car il pourrait y avoir un risque de choc électrique.
- Évitez l'enchevêtrement du cordon d'alimentation avec d'autres fils.
- La distance minimale de projection sur des objets ou sur des surfaces doit être supérieure à 0.5 mètres.
- Débranchez l'alimentation secteur avant le remplacement ou l'entretien des fusibles.
- Remplacez le fusible uniquement par un fusible du même type.
- En cas de problème de fonctionnement grave, arrêtez immédiatement d'utiliser l'appareil.
- N'allumez et n'éteignez jamais ce luminaire à maintes reprises.
- Le boîtier, les lentilles ou le filtre ultraviolet doivent être remplacés s'ils sont visiblement endommagés.
- NE PAS ouvrir le boîtier car il ne contient aucune pièce réparable par l'utilisateur.
- NE PAS mettre ce luminaire en fonctionnement s'il est endommagé. N'effectuez pas de réparations vous-même. Les réparations ne doivent être effectuées par des personnes non qualifiées, cela peut entraîner des dommages ou des dysfonctionnements. Veuillez contacter le centre d'assistance technique agréé le plus proche si nécessaire.
- Débranchez ce produit du secteur avant de procéder à l'entretien.
- Utiliser l'emballage d'origine si l'appareil doit être transporté.
- Évitez une exposition directe des yeux à la source lumineuse lorsque le produit est allumé.
- N'utilisez PAS ce produit si vous constatez des dommages sur le boîtier, les blindages ou les câbles. Faites remplacer immédiatement les pièces endommagées par un technicien agréé.

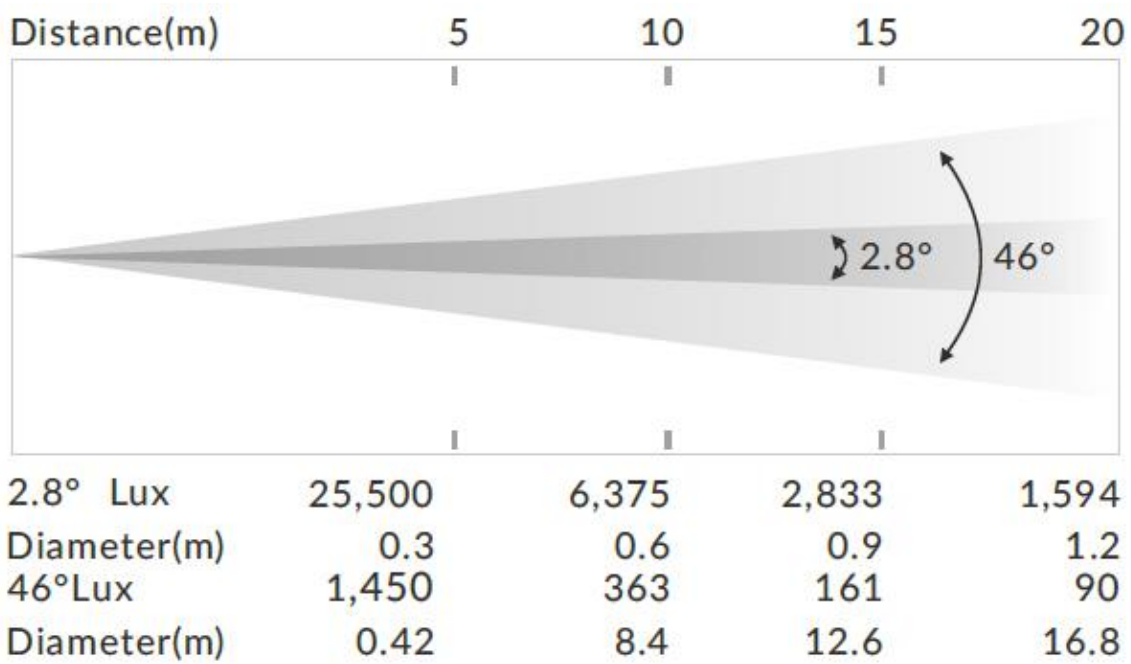
02/ Technical Specifications

Power Voltage	100-240V~ 50/60Hz	
Power Consumption	1205W	
Light Source	12x60W RGBW LED	
	96x3W CW LED	
	96x3W WW LED	
	96x0.5W RGB LED	
Beam Angle	2.8°-31°	
Field Angle	5°-46°	
Dimmer/Strobe	0-100% smooth dimming; outstanding strobe effect with variable speed	
Tilt Movement	202°	
Control	DMX Channel	17/27/99/108/168/8+100/8+160/21 Channels
	Control Mode	DMX512
		RDM
		Art-Net
		sACN
Firmware Upgrade	via DMX link or USB disk	
Construction	Display	OLED display
	Battery backup for user setup without mains connection	
	Data In/Out	5-pin XLR (3-pin XLR is optional)
		RJ45 Connector
	Power In/Out	Power Connector in/out
	Protection Rating	IP20
<p><i>Description for power cord set should be used: Listed SJT flexible cord with rating: 300V, 105°C, 16AWGx3C, molded with 5-15P attachment plug and terminated with cord connector model SAC3FX with rating 250V, 16A by Ningbo Seetronic Electronic Technology Co Ltd. The power cord shall be at least 914mm (It is to be measured from the face of attachment plug to the face of connector).</i></p>		
Features	Motorized zoom	
	Sharp and saturated beam effect	
	Outstanding color mixing effect	

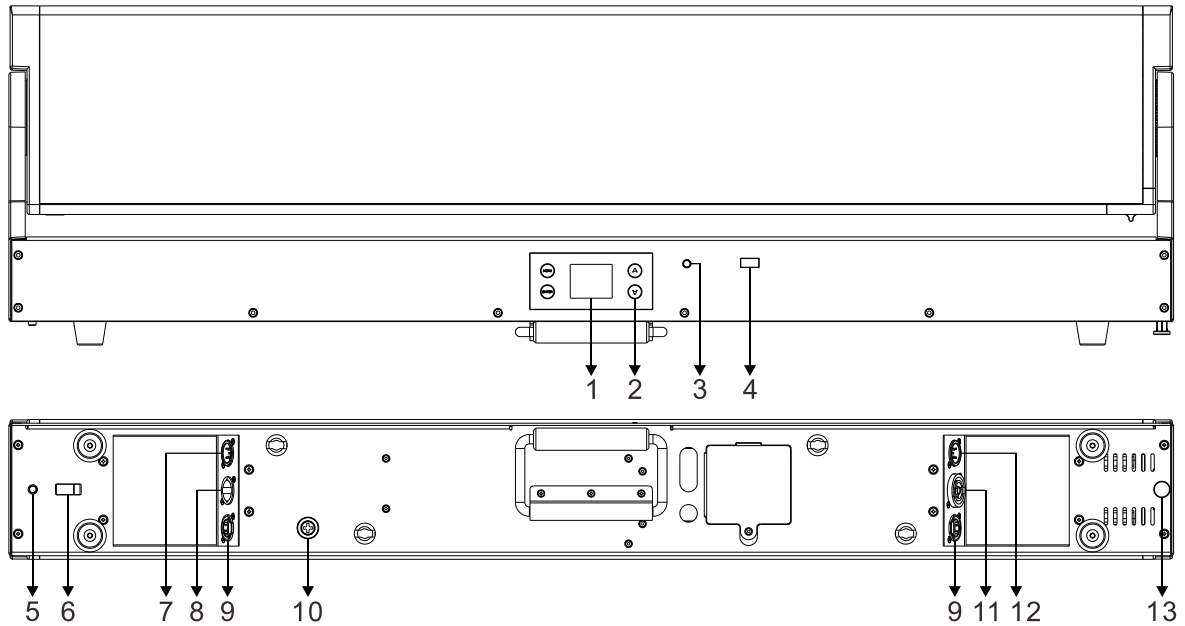
Dimensions	1000x120x290mm	39.4"x4.7"x11.4" in
Weight	25kgs	55lbs



Photometric Diagram:



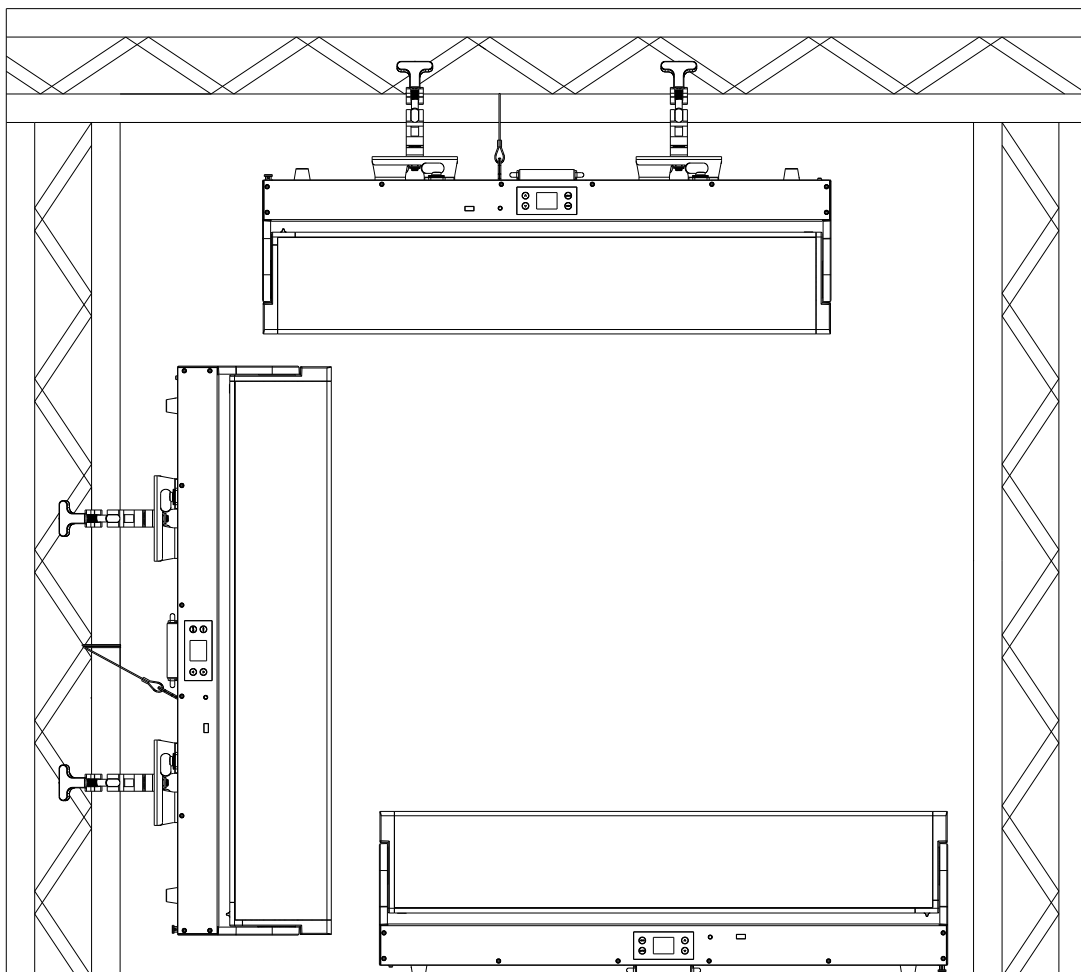
03/ Control Panel



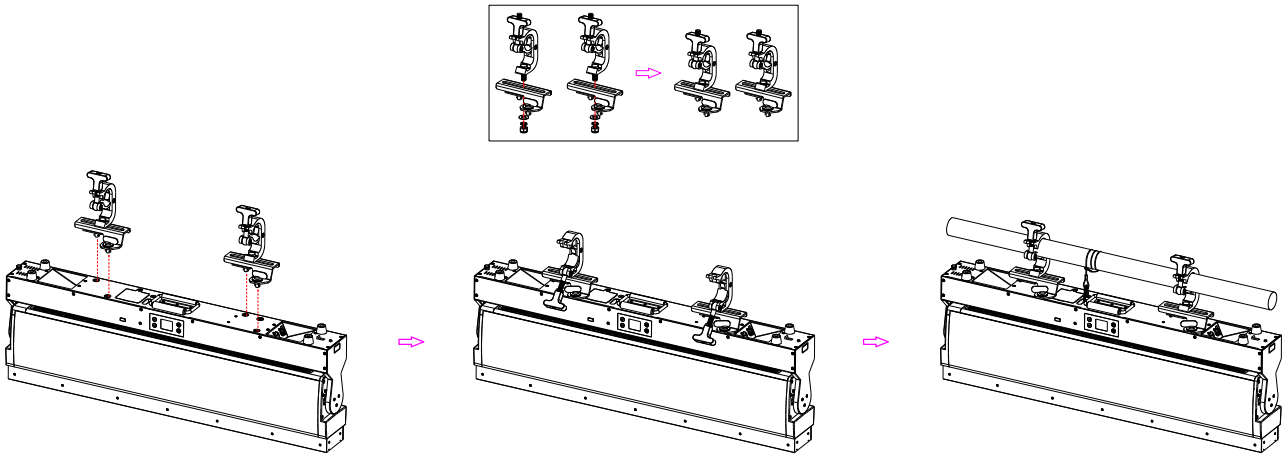
1. Display	To show the various menus and the selected function	
2. Buttons	MENU	To enter into move backward or leave the menu
	▲ UP	To go backward to move up in the menu
	▼ DOWN	To go forward to move down in the menu
	ENTER	To perform the desired functions
3. OFFLINE SETTING		
4. FIRMWARE UPGRADE	Used to upgrade fixture's firmware	
5. RESET BUTTON	Used to reset the lock catch	
6. LOCK CATCH	Used for splicing other fixtures	
7. DMX IN	For DMX512 link, use 5-pin XLR cable to link the unit and DMX controller to input DMX signal (3-pin XLR cable is optional)	
8. POWER IN	To connect to supply power	
9. ETHERNET	Transfers fixture's information to a main controller	
10. FUSE(T 15A)	Protects the unit from damage of over current or short circuit	
11. POWER OUT	To connect to the next fixture	
12. DMX OUT	For DMX512 link, use 5-pin XLR cable to link the next units to output DMX signal (3-pin XLR cable is optional)	
13. BOLT	Used to lock two fixtures	

04/ Fixture Installation

- ▶ DO install and operate by qualified operator. Fixture(s) should be installed in areas outside walking paths, seating areas, or away from areas where unauthorized personnel might reach the fixture by hand. NEVER stand directly below the fixture(s) when rigging, removing or servicing.
- ▶ Always ensure that the unit is firmly fixed to avoid vibration and slipping off during operation. Ensure that the trussing or area of installation must be able to hold 10 times the weight without any deformation. Always attach a safety cable that can hold at least 12 times the weight of the fixture whenever installing this fixture in a suspended environment to ensure that the fixture will not fall if the clamp fails.
- ▶ This fixture is fully operational in three different mounting positions: hanging upside-down, mounted sideways on trussing, or standing on the floor. Always use and install the supplied safety cable as a safety measure to prevent accidental damage and/or injury in the event the clamp fails.

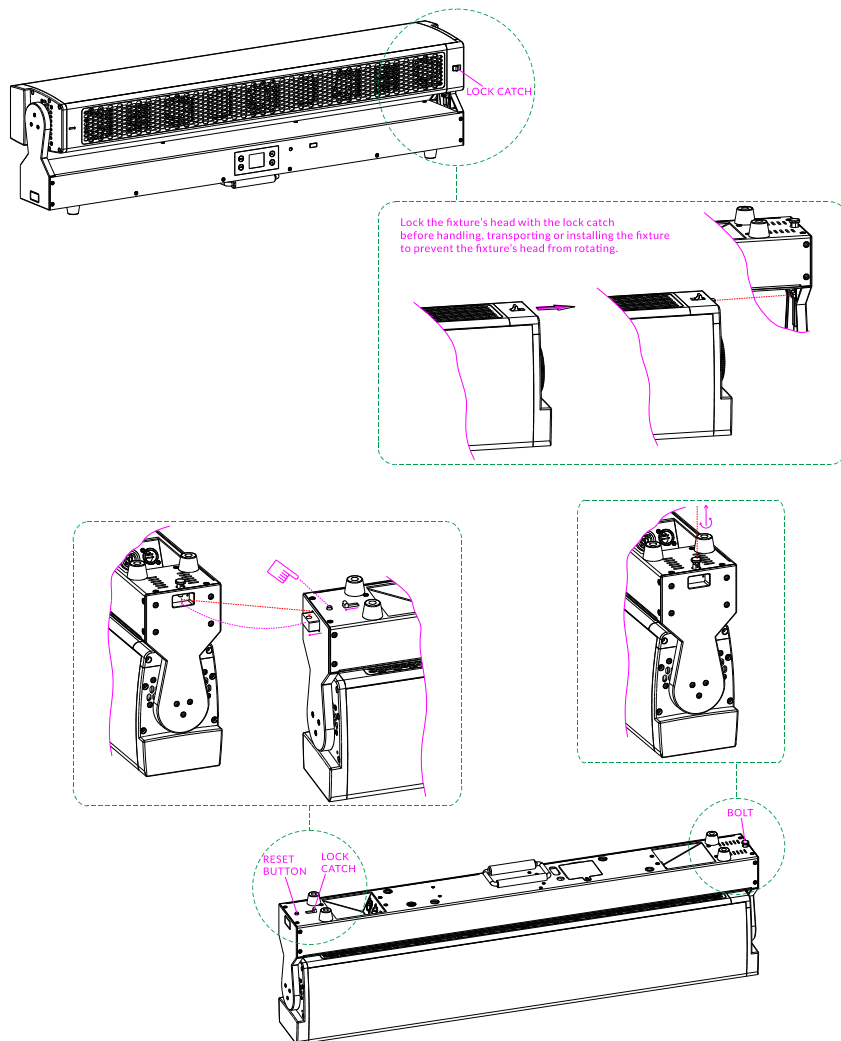


4.1 Hanging the Fixture



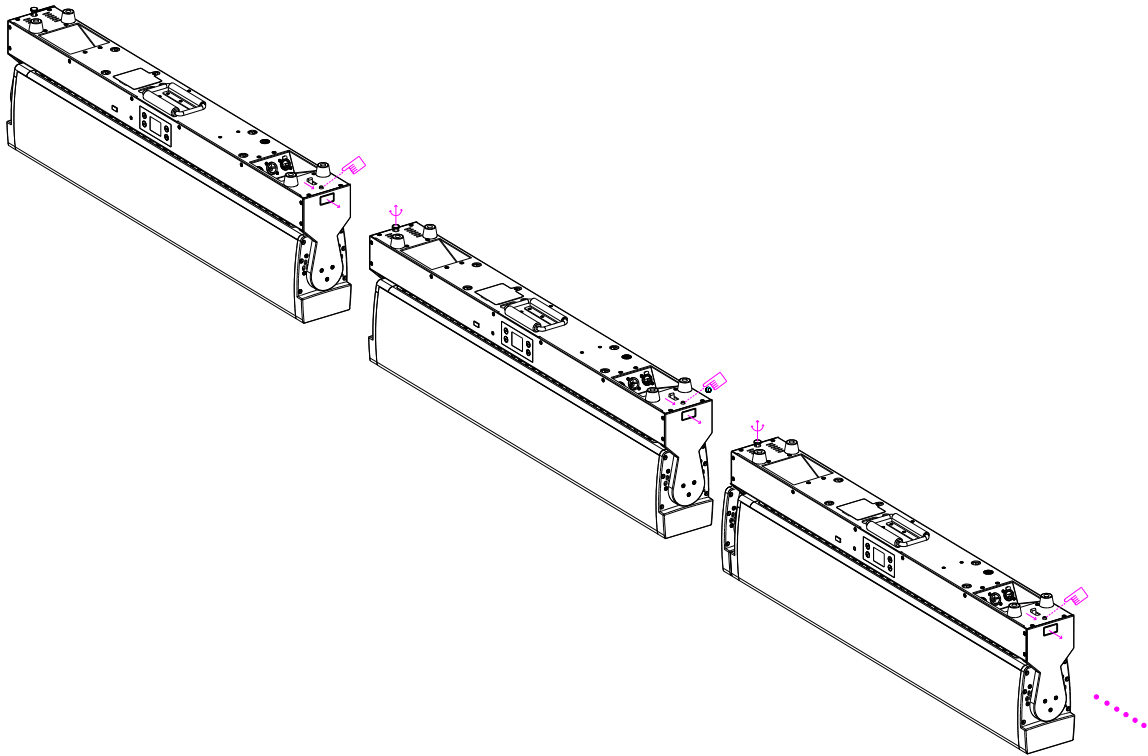
4.2 Splicing the Fixtures

Introduction:

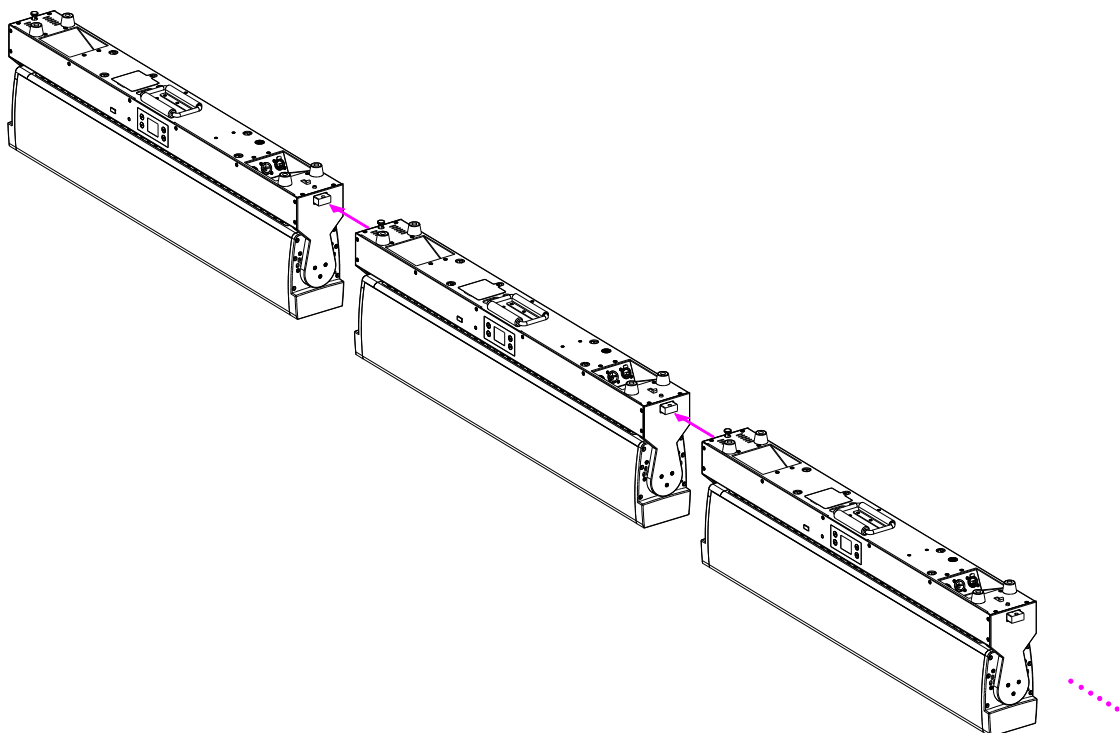


Steps for splicing the fixtures:

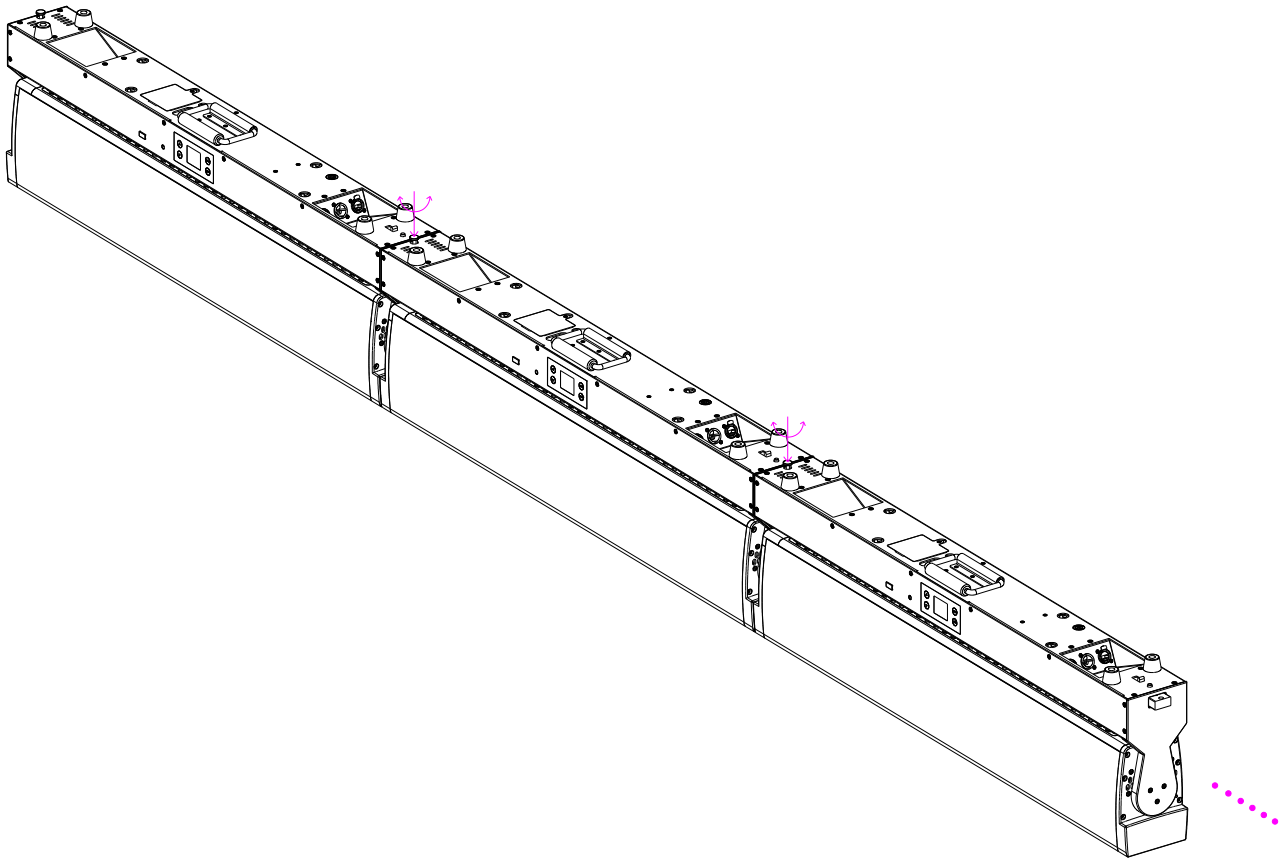
Press the reset button and the lock catch will pop up automatically. Lift the bolt up and rotate it for a certain angle (10°-170°), then release your hand.



Align and splice the second fixture to the first one, and splice the remaining fixtures in sequence.



Align the upper positioning point with the lower one, then let go after rotating the bolt for a certain angle, and the bolt will be automatically inserted into the positioning point to lock the two fixtures.



Note: When separating the fixtures, first lift the bolt upward and rotate it for a certain angle (10° - 170°), then release your hand. Press the reset button, and at the same time pull the lock catch to the extreme edge in the opposite direction, and then release the reset button to unlock the machine. Finally, remove the fixture from above or below.

05/ How To Set The Unit

5.1 Main Functions

- ▶ To access the control menus, press the [MENU] button.
- ▶ Navigate the menu structure, using the [ENTER], [▲ UP] and [▼ DOWN] buttons.
- ▶ To select a menu option or to confirm a selection, press the [ENTER] button.
- ▶ To return to a higher level in the menu structure without making a change, press the [MENU] button, or wait 30 seconds.

The main functions are shown below:

MENU	SUBMENU	OPTIONS		
DMX Settings	Port A Address	1-496 (17 CH)	(Default=1)	
		1-486 (27 CH)		
		1-414 (99 CH)		
		1-405 (108 CH)		
		1-345 (168 CH)		
		1-505 (8+100 CH)		
		1-505 (8+160 CH)		
		1-492 (21 CH)		
	Port B Address	1-413 (8+100 CH)	(Default=1)	
		1-353 (8+160 CH)		
	DMX Channel Mode	17 CH		
		27 CH		
		99 CH		
		108 CH		
		168 CH		
		8+100 CH		
		8+160 CH		
		21 CH		
	No DMX Status	Blackout		
		Hold		
Manual				
View DMX Value				
Connect Option	Auto			
	DMX			
	Art-Net			
	sACN			

MENU	SUBMENU	OPTIONS		
	Network	IP Address	Default 1:002.xxx.xxx.xxx	
			Default 2:010.xxx.xxx.xxx	
			Manual:xxx.xxx.xxx.xxx	
		Subnet Mask	xxx.xxx.xxx.xxx	
	Art-Net Settings	Net	0-127	(Default=0)
		Sub-Net	0-15	(Default=0)
		Universe A	0-15	(Default=0)
		Universe B	0-15	(Default=0)
	sACN Settings	sACN Universe	1-32000	(Default=1)
		sACN Priority	0-200	(Default=100)
Artnet to DMX	No			
	Yes			
Fixture Settings	Tilt Invert	No		
		Yes		
	Tilt Feedback	No		
		Yes		
	Dimmer Curve	Linear		
		Square Law		
		Inv SQ Law		
		S Curve		
	Dimmer Speed	Fast		
		Smooth		
	White Balance	Red	125-255	
		Green	125-255	
		Blue	125-255	
		Red 1	125-255	
		Green 1	125-255	
		Blue 1	125-255	
		
		Red 12	125-255	
		Green 12	125-255	
		Blue 12	125-255	
LED Refresh Rate	900Hz			
	1000Hz			
	1100Hz			
	1200Hz			
	1300Hz			
	1400Hz			

MENU	SUBMENU	OPTIONS				
		1500Hz				
		2500Hz				
		4000Hz				
		5000Hz				
		6000Hz				
		10000Hz				
		15000Hz				
		20000Hz				
		25000Hz				
	Invert Pixel Order	No				
		Yes				
	Power Mode	Standard				
		Quiet				
	CCT Calibration	Off				
On						
Line Power Mode	Off					
	On					
Display Settings	Display Invert	No				
		Yes				
	Backlight Intensity	1-10	(Default=10)			
	Temperature Unit	°C				
		°F				
	Language	English				
Chinese						
Fixture Test	Auto Test					
	Manual Test	Mode 1		Mode 2		
		Clear	No/Yes	Clear	No/Yes	
		Tilt	0-255	Tilt	0-255	
		Zoom	0-255	Zoom	0-255	
		Dimmer	0-255	Dimmer	0-255	
		Strobe Main	0-255	Strobe Main	0-255	
		Strobe Line W	0-255	Strobe Line W	0-255	
		Stro Line RGB	0-255	Stro Line RGB	0-255	
		Red 1	0-255	Red	0-255	
		Green 1	0-255	Green	0-255	
	Blue 1	0-255	Blue	0-255		

MENU	SUBMENU	OPTIONS			
		White 1	0-255	White	0-255
		0-255	RGBW CCT	0-255
		Red 10	0-255	RGBW Color	0-255
		Green 10	0-255	RGBW Macro	0-255
		Blue 10	0-255	RGBW Macro Sp	0-255
		White 10	0-255	Pixel CW	0-255
		Pixel CW 1	0-255	Pixel WW	0-255
		Pixel WW 1	0-255	Line W CCT	0-255
		0-255	Line W Macro	0-255
		Pixel CW 24	0-255	Line W Macro Sp	0-255
		Pixel WW 24	0-255	Pixel Red	0-255
		Pixel Red 1	0-255	Pixel Green	0-255
		Pixel Green 1	0-255	Pixel Blue	0-255
		Pixel Blue 1	0-255	Line RGB Color	0-255
		0-255	Line RGB Macro	0-255
		Pixel Red 24	0-255	Line RGB Mac. Sp	0-255
		Pixel Green 24	0-255	Two Red All	0-255
		Pixel Blue 24	0-255	Two Green All	0-255
		Red 11	0-255	Two Blue All	0-255
		Green 11	0-255	Two White All	0-255
		Blue 11	0-255		
		White 11	0-255		
		Red 12	0-255		
		Green 12	0-255		
		Blue 12	0-255		
		White 12	0-255		

MENU	SUBMENU	OPTIONS		
Fixture Information	Fixture Use Hour			
	LED Use Hour	Total LED Hour		
		LED On Hour		
		LED Hours Reset	Password=050	
	Temperature		Current	Max
		LED 1		
		LED 2		
		LED 3		
	Fan State	Base Fan		
		Head Fan 1		
		Head Fan 2		
		Head Fan 3		
		Head Fan 4		
		Head Fan 5		
	Upgrade File			
	Firmware Version			
	RDM UID			
Error Logs	Fixture Errors			
	Reset Error Logs	No		
		Yes	Password=050	
Reset Function	Tilt Reset	No		
		Yes		
	Effect Reset	No		
		Yes		
	All Reset	No		
		Yes		
Special Function	Factory Settings	No		
		Yes		

DMX Settings

Enter the control menu and select **DMX Settings**, press ENTER. Use the UP/DOWN button to select **Port A Address**, **Port B Address**, **DMX Channel Mode**, **No DMX Status**, **View DMX Value**, **Connect Option**, **Network**, **Art-Net Settings**, **sACN Settings** or **Artnet to DMX**.

Port A Address

Select **Port A Address**, press ENTER.

Use UP/DOWN button to select an address, confirm your selection with ENTER.

CHANNEL MODE	DMX ADDRESS
17 CH	1-496
27 CH	1-486
99 CH	1-414
108 CH	1-405
168 CH	1-345
8+100 CH	1-505
8+160 CH	1-505
21 CH	1-492

To exit the menu, press MENU, or wait 30 seconds.

Port B Address

Select **Port B Address**, press ENTER.

Use UP/DOWN button to select an address, confirm your selection with ENTER.

CHANNEL MODE	DMX ADDRESS
8+100 CH	1-413
8+160 CH	1-353

To exit the menu, press MENU, or wait 30 seconds.

DMX Channel Mode

Select **DMX Channel Mode**, press ENTER.

Use UP/DOWN button to select between **17 CH**, **27 CH**, **99 CH**, **108 CH**, **168 CH**, **8+100 CH**, **8+160 CH** and **21 CH**, confirm your selection with ENTER.

To exit the menu, press MENU, or wait 30 seconds.

No DMX Status

Select **No DMX Status**, press ENTER.

Use UP/DOWN button to select one of the following status:

Blackout (Fixture blacks out if DMX signal stops)

Hold (The device continues to operate in the current mode with the last active DMX values until the signal returns)

Manual (The device accepts the DMX value stored in the 'Manual Test' menu)

Confirm your selection with ENTER.

To exit the menu, press MENU, or wait 30 seconds.

View DMX Value

Select **View DMX Value**, press ENTER.

Use UP/DOWN button to select the desired DMX channel, for which the value is to be displayed.

To exit the menu, press MENU, or wait 30 seconds.

Connect Option

Select **Connect Option**, press ENTER.

Use UP/DOWN button to select **Auto**, **DMX**, **Art-Net** or **sACN**, confirm your selection with ENTER.

To exit the menu, press MENU, or wait 30 seconds.

Network

Select **Network**, press ENTER.

Use UP/DOWN button to select **IP Address** or **Subnet Mask**, confirm your selection with ENTER.

To exit the menu, press MENU, or wait 30 seconds.

Art-Net Settings

Select **Art-Net Settings**, press ENTER.

Use UP/DOWN button to select **Net**, **Sub-Net**, **Universe A** or **Universe B**, confirm your selection with ENTER.

To exit the menu, press MENU, or wait 30 seconds.

sACN Settings

Select **sACN Settings**, press ENTER.

Use UP/DOWN button to select **sACN Universe** or **sACN Priority**, confirm your selection with ENTER.

To exit the menu, press MENU, or wait 30 seconds.

Artnet to DMX

Select **Artnet to DMX**, press ENTER.

Use UP/DOWN button to select **No** or **Yes**, confirm your selection with ENTER.

To exit the menu, press MENU, or wait 30 seconds.

Fixture Settings

Enter the control menu and select **Fixture Settings**, press ENTER. Use the UP/DOWN button to select **Tilt Invert**, **Tilt Feedback**, **Dimmer Curve**, **Dimmer Speed**, **White Balance**, **LED Refresh Rate**, **Invert Pixel Order**, **Power Mode**, **CCT Calibration** or **Line Power Mode**.

Tilt Invert

Select **Tilt Invert**, press ENTER.

Use UP/DOWN button to select **No** (tilt invert deactivated) or **Yes** (tilt invert activated), confirm your selection with ENTER.

To exit the menu, press MENU, or wait 30 seconds.

Tilt Feedback

Select **Tilt Feedback**, press ENTER.

Use UP/DOWN button to select **No** (tilt feedback deactivated) or **Yes** (tilt feedback activated), confirm your selection with ENTER.

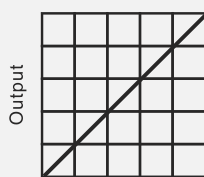
To exit the menu, press MENU, or wait 30 seconds.

Dimmer Curve

Select **Dimmer Curve**, press ENTER.

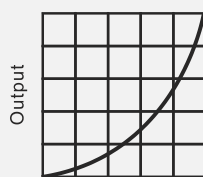
Use UP/DOWN button to select **Linear**, **Square Law**, **Inv SQ Law** or **S Curve**, confirm your selection with ENTER.

Dimmer Modes



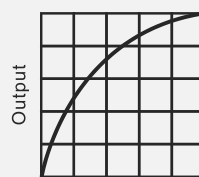
DMX %

Optically Linear



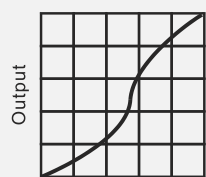
DMX %

Square Law



DMX %

Inverse Square Law



DMX %

S-curve

To exit the menu, press MENU, or wait 30 seconds.

Dimmer Speed

Select **Dimmer Speed**, press ENTER.

Use UP/DOWN button to select **Fast** or **Smooth**, confirm your selection with ENTER.

To exit the menu, press MENU, or wait 30 seconds.

White Balance

Select **White Balance**, press ENTER.

Use UP/DOWN button to select **Red, Green, Blue, Red1, Green1, Blue1.....** or **Red12, Green12, Blue12**, confirm your selection with ENTER.

Use UP/DOWN button to select a value between **125** and **255**, confirm your selection with ENTER.

To exit the menu, press MENU, or wait 30 seconds.

LED Refresh Rate

Select **LED Refresh Rate**, press ENTER.

Use UP/DOWN button to select **900Hz, 1000Hz, 1100Hz, 1200Hz, 1300Hz, 1400Hz, 1500Hz, 2500Hz, 4000Hz, 5000Hz, 6000Hz, 10000Hz, 15000Hz, 20000Hz** or **25000Hz**, confirm your selection with ENTER.

To exit the menu, press MENU, or wait 30 seconds.

Invert Pixel Order

Select **Invert Pixel Order**, press ENTER.

Use UP/DOWN button to select **No** or **Yes**, confirm your selection with ENTER.

To exit the menu, press MENU, or wait 30 seconds.

Power Mode

Select **Power Mode**, press ENTER.

Use UP/DOWN button to select **Standard** or **Quiet**, confirm your selection with ENTER.

To exit the menu, press MENU, or wait 30 seconds.

CCT Calibration

Select **CCT Calibration**, press ENTER.

Use UP/DOWN button to select **Off** or **On**, confirm your selection with ENTER.

To exit the menu, press MENU, or wait 30 seconds.

Line Power Mode

Select **Line Power Mode**, press ENTER.

Use UP/DOWN button to select **Off** or **On**, confirm your selection with ENTER.

To exit the menu, press MENU, or wait 30 seconds.

Display Settings

Enter the control menu and select **Display Settings**, press ENTER. Use the UP/DOWN button to select **Display Invert**, **Backlight Intensity**, **Temperature Unit** or **Language**.

Display Invert

Select **Display Invert**, press ENTER.

Use UP/DOWN button to select **No** (display normal) or **Yes** (display inverted), confirm your selection with ENTER.

To exit the menu, press MENU, or wait 30 seconds.

Backlight Intensity

Select **Backlight Intensity**, press ENTER.

Use UP/DOWN button to select a value between **1** (dark) and **10** (bright), confirm your selection with ENTER.

To exit the menu, press MENU, or wait 30 seconds.

Temperature Unit

Select **Temperature Unit**, press ENTER.

Use UP/DOWN button to select **°C** or **°F**, confirm your selection with ENTER.

To exit the menu, press MENU, or wait 30 seconds.

Language

Select **Language**, press ENTER.

Use UP/DOWN button to select **English** or **Chinese**, confirm your selection with ENTER.

To exit the menu, press MENU, or wait 30 seconds.

Fixture Test

Enter the control menu and select **Fixture Test**, press ENTER. Use the UP/DOWN button to select **Auto Test** or **Manual Test**.

Auto Test

Select **Auto Test**, press ENTER.

The device immediately performs an automatic self-test.

To end the automatic self-test and exit the menu, press MENU, or wait 30 seconds.

Manual Test

Select **Manual Test**, press ENTER.

Use UP/DOWN button to select the channel for which the manual test is to be performed, confirm your selection with ENTER.

Use UP/DOWN button to select a value, confirm your selection with ENTER.

To exit the menu, press MENU, or wait 30 seconds.

(The device returns to its original DMX state after the manual test. The test values are saved automatically when the device is switched off.)

Fixture Information

Enter the control menu and select **Fixture Information**, press ENTER. Use the UP/DOWN button to select **Fixture Use Hour**, **LED Use Hour**, **Temperature**, **Fan State**, **Upgrade File**, **Firmware Version**, **RDM UID** or **Error Logs**.

Fixture Use Hour

Select **Fixture Use Hour**, press ENTER.

The operating hours is displayed.

To exit the menu, press MENU, or wait 30 seconds.

LED Use Hour

Select **LED Use Hour**, press ENTER.

Use UP/DOWN button to select **Total LED Hour** (total time) or **LED On Hour** (current switch-on time), confirm your selection with ENTER.

The total time or current switch-on time is displayed.

Use UP/DOWN button to select **LED Hours Reset**, confirm your selection with ENTER.

Use UP/DOWN button to set the password 050, confirm your selection with ENTER. The LED operating hours is reset.

To exit the menu, press MENU, or wait 30 seconds.

Temperature

Select **Temperature**, press ENTER.

The device temperature is displayed.

To exit the menu, press MENU, or wait 30 seconds.

Fan State

Select **Fan State**, press ENTER.

The fan status is displayed.

To exit the menu, press MENU, or wait 30 seconds.

Upgrade File

Select **Upgrade File**, press ENTER.

The upgrade file is displayed.

To exit the menu, press MENU, or wait 30 seconds.

Firmware Version

Select **Firmware Version**, press ENTER.

The firmware version is displayed.

To exit the menu, press MENU, or wait 30 seconds.

RDM UID

Select **RDM UID**, press ENTER.

The RDM UID is displayed.

To exit the menu, press MENU, or wait 30 seconds.

Error Logs

Select **Error Logs**, press ENTER.

Use UP/DOWN button to select **Fixture Errors**, confirm your selection with ENTER.

The error list is displayed.

Use UP/DOWN button to select **Reset Error Log**, confirm your selection with ENTER.

If you wish to reset the relevant error logs, select **Yes**. If you do not wish to reset anything, select **No**. Confirm your selection with ENTER.

If you select **Yes**, use UP/DOWN button to set the password 050, confirm your selection with ENTER. The relevant error logs are reset.

To exit the menu, press MENU, or wait 30 seconds.

Reset Function

Enter the control menu and select **Reset Function**, press ENTER. Use the UP/DOWN button to select **Tilt Reset**, **Effect Reset** or **All Reset**.

Tilt Reset

Select **Tilt Reset**, press ENTER.

Use UP/DOWN button to select **No** or **Yes** (the device will run built-in program to reset tilt to its home positions), confirm your selection with ENTER.

To exit the menu, press MENU, or wait 30 seconds.

Effect Reset

Select **Effect Reset**, press ENTER.

Use UP/DOWN button to select **No** or **Yes** (the device will run built-in program to reset effect to their home positions), confirm your selection with ENTER.

To exit the menu, press MENU, or wait 30 seconds.

All Reset

Select **All Reset**, press ENTER.

Use UP/DOWN button to select **No** or **Yes** (the device will run built-in program to reset all to their home positions), confirm your selection with ENTER.

To exit the menu, press MENU, or wait 30 seconds.

Special Function

Enter the control menu and select **Special Function**, press ENTER. Use the UP/DOWN button to select **Factory Settings**.

Factory Settings

Select **Factory Settings**, press ENTER.

If you wish to reset the device to the factory settings, select **Yes**. If you do not wish to reset anything, select **No**. Confirm your selection with ENTER.

To exit the menu, press MENU, or wait 30 seconds.

RDM functions: Certain menus of the device and functions can be called up via the RDM protocol.

The parameter IDs are implemented as follows for different commands:

Parameter ID	Command 'Discovery'	Command 'Set'	Command 'Get'
DISC_UNIQUE_BRANCH	✓		
DISC_MUTE	✓		
DISC_UN_MUTE	✓		
DEVICE_INFO			✓
SUPPORTED_PARAMETERS			✓
SOFTWARE_VERSION_LABEL			✓
DMX_START_ADDRESS		✓	✓
IDENTIFY_DEVICE		✓	✓
DEVICE_MODEL_DESCRIPTION			✓
PARAMETER_DESCRIPTION			✓
MANUFACTURER_LABEL			✓
DEVICE_LABEL		✓	✓
FACTORY_DEFAULTS		✓	✓
BOOT_SOFTWARE_VERSION_ID			✓
BOOT_SOFTWARE_VERSION_LABEL			✓
DMX_PERSONALITY		✓	✓
DMX_PERSONALITY_DESCRIPTION			✓
SLOT_INFO			✓
SLOT_DESCRIPTION			✓
SENSOR_DEFINITION			✓
SENSOR_VALUE			✓
DEVICE_HOURS			✓
LAMP_HOURS			✓
TILT_INVERT		✓	✓
RESET_DEVICE		✓	
CURVE		✓	✓
DMX_STATE		✓	✓
DIMMER_SPEED		✓	✓

✓ -Command implemented for the respective parameter ID

5.2 Home Position Adjustment

- ▶ To access the control menus, press the [MENU] button.
- ▶ To access the offset menus, long-press the [ENTER] button.
- ▶ Navigate the offset menus, using the [ENTER], [▲ UP] and [▼ DOWN] buttons.
- ▶ To select a menu option or to confirm a selection, press the [ENTER] button.
- ▶ To return to a higher level in the menu structure without making a change, press the [MENU] button, or wait 30 seconds.

OFFSET MENU	VALUES
Frequency	1072~1327
Tilt	-128~127
Zoom	-128~127
Red	0~1500
Green	0~1500
Blue	0~1500
White	0~1500
Pixel Red	0~500
Pixel Green	0~500
Pixel Blue	0~500
Pixel CW	0~500
Pixel WW	0~500
Red 1	0~500
Green 1	0~500
Blue 1	0~500
White 1	0~500
.....
Red 10	0~500
Green 10	0~500
Blue 10	0~500
White 10	0~500
Pixel Red 1	0~500
Pixel Green 1	0~500
Pixel Blue 1	0~500
.....

Pixel Red 24	0~500
Pixel Green 24	0~500
Pixel Blue 24	0~500
Pixel CW 1	0~500
Pixel WW 1	0~500
.....
Pixel CW 24	0~500
Pixel WW 24	0~500
Red 11	0~500
Green 11	0~500
Blue 11	0~500
White 11	0~500
Red 12	0~500
Green 12	0~500
Blue 12	0~500
White 12	0~500

Frequency

Select **Frequency**, press ENTER.

Use UP/DOWN button to select a value, confirm your selection with ENTER.

To exit the offset menu, press MENU, or wait 30 seconds.

Frequency	VALUES
900Hz	772~1027
1000Hz	872~1127
1100Hz	972~1227
1200Hz	1072~1327
1300Hz	1172~1427
1400Hz	1272~1527
1500Hz	1372~1627
2500Hz	2372~2627
4000Hz	3872~4127
5000Hz	4872~5127
6000Hz	5872~6127
10000Hz	9872~10127
15000Hz	14872~15127
20000Hz	19872~20127
25000Hz	24872~25127

Tilt

Select **Tilt**, press ENTER.

Use UP/DOWN button to select a value between -128 and 127, confirm your selection with ENTER.

To exit the offset menu, press MENU, or wait 30 seconds.

Zoom

Select **Zoom**, press ENTER.

Use UP/DOWN button to select a value between -128 and 127, confirm your selection with ENTER.

To exit the offset menu, press MENU, or wait 30 seconds.

Red

Select **Red**, press ENTER.

Use UP/DOWN button to select a value between 0 and 1500, confirm your selection with ENTER.

To exit the offset menu, press MENU, or wait 30 seconds.

Green

Select **Green**, press ENTER.

Use UP/DOWN button to select a value between 0 and 1500, confirm your selection with ENTER.

To exit the offset menu, press MENU, or wait 30 seconds.

Blue

Select **Blue**, press ENTER.

Use UP/DOWN button to select a value between 0 and 1500, confirm your selection with ENTER.

To exit the offset menu, press MENU, or wait 30 seconds.

White

Select **White**, press ENTER.

Use UP/DOWN button to select a value between 0 and 1500, confirm your selection with ENTER.

To exit the offset menu, press MENU, or wait 30 seconds.

Pixel Red

Select **Pixel Red**, press ENTER.

Use UP/DOWN button to select a value between 0 and 500, confirm your selection with ENTER.

To exit the offset menu, press MENU, or wait 30 seconds.

Pixel Green

Select **Pixel Green**, press ENTER.

Use UP/DOWN button to select a value between 0 and 500, confirm your selection with ENTER.

To exit the offset menu, press MENU, or wait 30 seconds.

Pixel Blue

Select **Pixel Blue**, press ENTER.

Use UP/DOWN button to select a value between 0 and 500, confirm your selection with ENTER.

To exit the offset menu, press MENU, or wait 30 seconds.

Pixel CW

Select **Pixel CW**, press ENTER.

Use UP/DOWN button to select a value between 0 and 500, confirm your selection with ENTER.

To exit the offset menu, press MENU, or wait 30 seconds.

Pixel WW

Select **Pixel WW**, press ENTER.

Use UP/DOWN button to select a value between 0 and 500, confirm your selection with ENTER.

To exit the offset menu, press MENU, or wait 30 seconds.

Red 1

Select **Red 1**, press ENTER.

Use UP/DOWN button to select a value between 0 and 500, confirm your selection with ENTER.

To exit the offset menu, press MENU, or wait 30 seconds.

Green 1

Select **Green 1**, press ENTER.

Use UP/DOWN button to select a value between 0 and 500, confirm your selection with ENTER.

To exit the offset menu, press MENU, or wait 30 seconds.

Blue 1

Select **Blue 1**, press ENTER.

Use UP/DOWN button to select a value between 0 and 500, confirm your selection with ENTER.

To exit the offset menu, press MENU, or wait 30 seconds.

White 1

Select **White 1**, press ENTER.

Use UP/DOWN button to select a value between 0 and 500, confirm your selection with ENTER.

To exit the offset menu, press MENU, or wait 30 seconds.

.....

Red 10

Select **Red 10**, press ENTER.

Use UP/DOWN button to select a value between 0 and 500, confirm your selection with ENTER.

To exit the offset menu, press MENU, or wait 30 seconds.

Green 10

Select **Green 10**, press ENTER.

Use UP/DOWN button to select a value between 0 and 500, confirm your selection with ENTER.

To exit the offset menu, press MENU, or wait 30 seconds.

Blue 10

Select **Blue 10**, press ENTER.

Use UP/DOWN button to select a value between 0 and 500, confirm your selection with ENTER.

To exit the offset menu, press MENU, or wait 30 seconds.

White 10

Select **White 10**, press ENTER.

Use UP/DOWN button to select a value between 0 and 500, confirm your selection with ENTER.

To exit the offset menu, press MENU, or wait 30 seconds.

Pixel Red 1

Select **Pixel Red 1**, press ENTER.

Use UP/DOWN button to select a value between 0 and 500, confirm your selection with ENTER.

To exit the offset menu, press MENU, or wait 30 seconds.

Pixel Green 1

Select **Pixel Green 1**, press ENTER.

Use UP/DOWN button to select a value between 0 and 500, confirm your selection with ENTER.

To exit the offset menu, press MENU, or wait 30 seconds.

Pixel Blue 1

Select **Pixel Blue 1**, press ENTER.

Use UP/DOWN button to select a value between 0 and 500, confirm your selection with ENTER.

To exit the offset menu, press MENU, or wait 30 seconds.

.....

Pixel Red 24

Select **Pixel Red 24**, press ENTER.

Use UP/DOWN button to select a value between 0 and 500, confirm your selection with ENTER.

To exit the offset menu, press MENU, or wait 30 seconds.

Pixel Green 24

Select **Pixel Green 24**, press ENTER.

Use UP/DOWN button to select a value between 0 and 500, confirm your selection with ENTER.

To exit the offset menu, press MENU, or wait 30 seconds.

Pixel Blue 24

Select **Pixel Blue 24**, press ENTER.

Use UP/DOWN button to select a value between 0 and 500, confirm your selection with ENTER.

To exit the offset menu, press MENU, or wait 30 seconds.

Pixel CW 1

Select **Pixel CW 1**, press ENTER.

Use UP/DOWN button to select a value between 0 and 500, confirm your selection with ENTER.

To exit the offset menu, press MENU, or wait 30 seconds.

Pixel WW 1

Select **Pixel WW 1**, press ENTER.

Use UP/DOWN button to select a value between 0 and 500, confirm your selection with ENTER.

To exit the offset menu, press MENU, or wait 30 seconds.

.....

Pixel CW 24

Select **Pixel CW 24**, press ENTER.

Use UP/DOWN button to select a value between 0 and 500, confirm your selection with ENTER.

To exit the offset menu, press MENU, or wait 30 seconds.

Pixel WW 24

Select **Pixel WW 24**, press ENTER.

Use UP/DOWN button to select a value between 0 and 500, confirm your selection with ENTER.

To exit the offset menu, press MENU, or wait 30 seconds.

Red 11

Select **Red 11**, press ENTER.

Use UP/DOWN button to select a value between 0 and 500, confirm your selection with ENTER.

To exit the offset menu, press MENU, or wait 30 seconds.

Green 11

Select **Green 11**, press ENTER.

Use UP/DOWN button to select a value between 0 and 500, confirm your selection with ENTER.

To exit the offset menu, press MENU, or wait 30 seconds.

Blue 11

Select **Blue 11**, press ENTER.

Use UP/DOWN button to select a value between 0 and 500, confirm your selection with ENTER.

To exit the offset menu, press MENU, or wait 30 seconds.

White 11

Select **White 11**, press ENTER.

Use UP/DOWN button to select a value between 0 and 500, confirm your selection with ENTER.

To exit the offset menu, press MENU, or wait 30 seconds.

Red 12

Select **Red 12**, press ENTER.

Use UP/DOWN button to select a value between 0 and 500, confirm your selection with ENTER.

To exit the offset menu, press MENU, or wait 30 seconds.

Green 12

Select **Green 12**, press ENTER.

Use UP/DOWN button to select a value between 0 and 500, confirm your selection with ENTER.

To exit the offset menu, press MENU, or wait 30 seconds.

Blue 12

Select **Blue 12**, press ENTER.

Use UP/DOWN button to select a value between 0 and 500, confirm your selection with ENTER.

To exit the offset menu, press MENU, or wait 30 seconds.

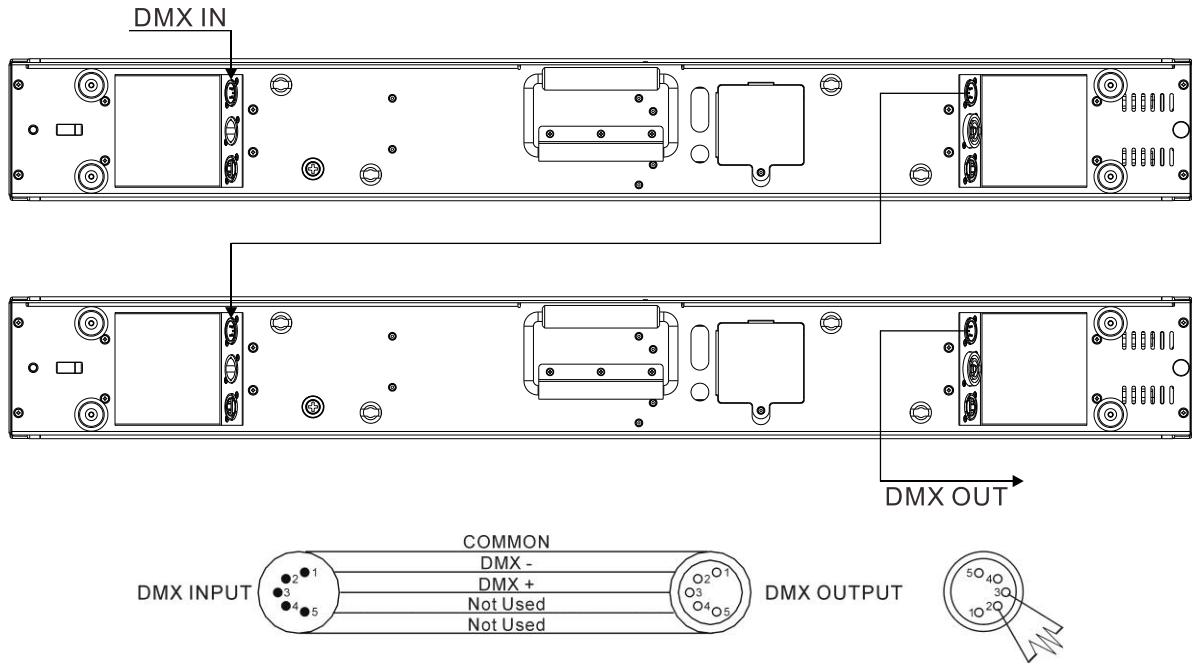
White 12

Select **White 12**, press ENTER.

Use UP/DOWN button to select a value between 0 and 500, confirm your selection with ENTER.

To exit the offset menu, press MENU, or wait 30 seconds.

6.1 DMX512 Connection



1. At last unit, the DMX cable has to be terminated with a terminator. Solder a 120-ohm 1/4W resistor between pin 2(DMX-) and pin 3(DMX+) into a 3-pin XLR-plug and plug it in the DMX-output of the last unit.
2. Connect the unit together in a “daisy chain” by XLR plug cable from the output of the unit to the input of the next unit. The cable can only be used in series and cannot be connected in parallel. DMX 512 is a very high-speed signal. Inadequate or damaged cables, soldered joints or corroded connectors can easily distort the signal and shut down the system.
3. The DMX output and input connectors are pass-through to maintain the DMX circuit, when one of the units' power is disconnected.
4. Each lighting unit needs to have a DMX address to receive the data by the controller. The address number is between 1-512.
5. The end of the DMX 512 system should be terminated to reduce signal errors.
6. 3 pin XLR connectors are more popular than 5 pins XLR.
 - 3 pin XLR: Pin 1: GND, Pin 2: Negative signal (-), Pin 3: Positive signal (+)
 - 5 pin XLR: Pin 1: GND, Pin 2: Negative signal (-), Pin 3: Positive signal (+), Pin4, Pin5 not used.

6.2 Address Setting

If you use a universal DMX controller to control the units, you have to set DMX address between 1 and 512 so that the units can receive DMX signal.

Press the MENU button to access the control menus, select DMX Settings, press the ENTER button to confirm. Use the UP/DOWN button to select Port A/B Address, press the ENTER button to confirm, the present address will show on the display. Use the UP/DOWN button to adjust the address between 001 and 512, press the ENTER button to store. To exit the menu, press MENU, or wait 30 seconds.

Please refer to the following diagram to address your DMX512 channel for the first 4 units.

Channel Mode	Unit 1 Address	Unit 2 Address	Unit 3 Address	Unit 4 Address
17 channels	1	18	35	52
27 channels	1	28	55	82
99 channels	1	100	199	298
108 channels	1	109	217	325
168 channels	1	169	337	505
8+100 channels (Controlled by DMX)	1	9	17	25
8+100 channels (Controlled by Art-Net)	1	101	201	301
8+160 channels (Controlled by DMX)	1	9	17	25
8+160 channels (Controlled by Art-Net)	1	161	321	481
21 channels	1	22	43	64

6.3 DMX512 Configuration

Please control the fixture by referring to the configurations below.

Attentions:

- ▶ The unit will maintain the last condition until reset if you cut-off the DMX signal.
- ▶ For the channel Function, keep the value for about 3 seconds, then the corresponding function will take into effect.

17 Channels (Mode 1):

CHANNEL	VALUE	FUNCTION
1	000-255	TILT 0°→202°
2	000-255	TILT FINE
3	000-255	ZOOM Wide→Narrow
4	000-255	DIMMER 0%→100%
5	000-007	MAIN STROBE Close
	008-015	Open
	016-131	Strobe from Slow to Fast
	132-139	Open
	140-181	Slow Open Fast Close from Slow to Fast
	182-189	Open
	190-231	Fast Open Slow Close from Slow to Fast
	232-239	Open
	240-247	Random Strobe from Slow to Fast
248-255	Open	
6	000-007	LINE_W STROBE Close
	008-015	Open
	016-131	Strobe from Slow to Fast
	132-139	Open
	140-181	Slow Open Fast Close from Slow to Fast
	182-189	Open
	190-231	Fast Open Slow Close from Slow to Fast
	232-239	Open
	240-247	Random Strobe from Slow to Fast
248-255	Open	
7	000-007	LINE_RGB STROBE Close
	008-015	Open

	016-131 132-139 140-181 182-189 190-231 232-239 240-247 248-255	Strobe from Slow to Fast Open Slow Open Fast Close from Slow to Fast Open Fast Open Slow Close from Slow to Fast Open Random Strobe from Slow to Fast Open
8	000-029 030-039 040-049 050-059 060-069 070-079 080-089 090-099 100-109 110-119 120-122 123 124 125 126 127 128 129 130 131 132 133 134 135 136 137 138-139 140-149 150-159 160-169 170-179 180-199 200-209 210-219 220-229 230-239 240-249 250-255	SPECIAL FUNCTION Null Dimmer Curve: Linear Dimmer Curve: Square Law Dimmer Curve: Inv SQ Law Dimmer Curve: S Curve Power Mode: Standard Null Power Mode: Quiet Led Frequency Setting Enable Led Frequency Setting Disable Null 900Hz 1000Hz 1100Hz 1200Hz 1300Hz 1400Hz 1500Hz 2500Hz 4000Hz 5000Hz 6000Hz 10KHz 15KHz 20KHz 25KHz Null Tilt Reset Effect Reset CCT Calibration: On CCT Calibration: Off Null All Reset Dimmer Speed: Fast Dimmer Speed: Smooth Line Power Mode: Off Line Power Mode: On Null

9	000-255	MAIN RED 0%→100%
10	000-255	MAIN GREEN 0%→100%
11	000-255	MAIN BLUE 0%→100%
12	000-255	MAIN WHITE 0%→100%
13	000-255	LINE_W CW 0%→100%
14	000-255	LINE_W WW 0%→100%
15	000-255	LINE_RGB RED 0%→100%
16	000-255	LINE_RGB GREEN 0%→100%
17	000-255	LINE_RGB BLUE 0%→100%

27 Channels (Mode 2):

CHANNEL	VALUE	FUNCTION
1	000-255	TILT 0°→202°
2	000-255	TILT FINE
3	000-255	ZOOM Wide→Narrow
4	000-255	DIMMER 0%→100%
5	000-007	MAIN STROBE Close
	008-015	Open
	016-131	Strobe from Slow to Fast
	132-139	Open
	140-181	Slow Open Fast Close from Slow to Fast
	182-189	Open
	190-231	Fast Open Slow Close from Slow to Fast
	232-239	Open
240-247	Random Strobe from Slow to Fast	
248-255	Open	
6	000-007	LINE_W STROBE Close
	008-015	Open
	016-131	Strobe from Slow to Fast

	132-139 140-181 182-189 190-231 232-239 240-247 248-255	Open Slow Open Fast Close from Slow to Fast Open Fast Open Slow Close from Slow to Fast Open Random Strobe from Slow to Fast Open
7	000-007 008-015 016-131 132-139 140-181 182-189 190-231 232-239 240-247 248-255	LINE_RGB STROBE Close Open Strobe from Slow to Fast Open Slow Open Fast Close from Slow to Fast Open Fast Open Slow Close from Slow to Fast Open Random Strobe from Slow to Fast Open
8	000-029 030-039 040-049 050-059 060-069 070-079 080-089 090-099 100-109 110-119 120-122 123 124 125 126 127 128 129 130 131 132 133 134 135 136 137 138-139 140-149	SPECIAL FUNCTION Null Dimmer Curve: Linear Dimmer Curve: Square Law Dimmer Curve: Inv SQ Law Dimmer Curve: S Curve Power Mode: Standard Null Power Mode: Quiet Led Frequency Setting Enable Led Frequency Setting Disable Null 900Hz 1000Hz 1100Hz 1200Hz 1300Hz 1400Hz 1500Hz 2500Hz 4000Hz 5000Hz 6000Hz 10KHz 15KHz 20KHz 25KHz Null Tilt Reset

	150-159 160-169 170-179 180-199 200-209 210-219 220-229 230-239 240-249 250-255	Effect Reset CCT Calibration: On CCT Calibration: Off Null All Reset Dimmer Speed: Fast Dimmer Speed: Smooth Line Power Mode: Off Line Power Mode: On Null
9	000-255	MAIN RED 0%→100%
10	000-255	MAIN GREEN 0%→100%
11	000-255	MAIN BLUE 0%→100%
12	000-255	MAIN WHITE 0%→100%
13	000 001-004 005-009 010-013 014-018 019-022 023-027 028-031 032-036 037-040 041-045 046-049 050-054 055-058 059-063 064-067 068-072 073-076 077-081 082-085 086-090 091-094 095-099 100-103 104-108 109-112 113-117 118-121	MAIN CCT Null 8000K 7900K 7800K 7700K 7600K 7500K 7400K 7300K 7200K 7100K 7000K 6900K 6800K 6700K 6600K 6500K 6400K 6300K 6200K 6100K 6000K 5900K 5800K 5700K 5600K 5500K 5400K

	122-126	5300K
	127-130	5200K
	131-135	5100K
	136-139	5000K
	140-144	4900K
	145-148	4800K
	149-153	4700K
	154-157	4600K
	158-162	4500K
	163-166	4400K
	167-171	4300K
	172-175	4200K
	176-180	4100K
	181-184	4000K
	185-189	3900K
	190-193	3800K
	194-198	3700K
	199-202	3600K
	203-207	3500K
	208-211	3400K
	212-216	3300K
	217-220	3200K
	221-225	3100K
	226-229	3000K
	230-234	2900K
	235-238	2800K
	239-243	2700K
	244-247	2600K
	248-255	2500K
		MAIN COLOR
	000-007	Null
	008-015	Color1
	016-023	Color2
	024-031	Color3
	032-039	Color4
	040-047	Color5
	048-055	Color6
	056-063	Color7
	064-071	Color8
	072-079	Color9
	080-087	Color10
	088-095	Color11
	096-103	Color12
	104-111	Color13
	112-119	Color14
	120-127	Color15
	128-135	Color16
14		

	136-143 144-151 152-159 160-167 168-175 176-183 184-191 192-199 200-207 208-215 216-223 224-231 232-239 240-247 248-255	Color17 Color18 Color19 Color20 Color21 Color22 Color23 Color24 Color25 Color26 Color27 Color28 Color29 Color30 Color31
15	000-007 008-015 016-023 024-031 032-039 040-047 048-055 056-063 064-071 072-079 080-087 088-095 096-103 104-111 112-119 120-127 128-135 136-143 144-151 152-159 160-167 168-175 176-183 184-191 192-199 200-207 208-215 216-223 224-231 232-239 240-247	MAIN MACRO Null Built-in Effect 1 Built-in Effect 2 Built-in Effect 3 Built-in Effect 4 Built-in Effect 5 Built-in Effect 6 Built-in Effect 7 Built-in Effect 8 Built-in Effect 9 Built-in Effect 10 Built-in Effect 11 Built-in Effect 12 Built-in Effect 13 Built-in Effect 14 Built-in Effect 15 Built-in Effect 16 Built-in Effect 17 Built-in Effect 18 Built-in Effect 19 Built-in Effect 20 Built-in Effect 21 Built-in Effect 22 Built-in Effect 23 Null Null Null Null Null Null Null Null

	167-171	4300K
	172-175	4200K
	176-180	4100K
	181-184	4000K
	185-189	3900K
	190-193	3800K
	194-198	3700K
	199-202	3600K
	203-207	3500K
	208-211	3400K
	212-216	3300K
	217-220	3200K
	221-225	3100K
	226-229	3000K
	230-234	2900K
	235-238	2800K
	239-243	2700K
	244-247	2600K
	248-255	Reserved Values
		LINE_W MACRO
	000-007	Null
	008-015	Built-in Effect 1
	016-023	Built-in Effect 2
	024-031	Built-in Effect 3
	032-039	Built-in Effect 4
	040-047	Built-in Effect 5
	048-055	Built-in Effect 6
	056-063	Built-in Effect 7
	064-071	Built-in Effect 8
	072-079	Built-in Effect 9
	080-087	Built-in Effect 10
	088-095	Built-in Effect 11
	096-103	Built-in Effect 12
	104-111	Built-in Effect 13
	112-119	Built-in Effect 14
	120-127	Built-in Effect 15
	128-135	Built-in Effect 16
	136-143	Built-in Effect 17
	144-151	Built-in Effect 18
	152-159	Built-in Effect 19
	160-167	Built-in Effect 20
	168-175	Built-in Effect 21
	176-183	Built-in Effect 22
	184-191	Built-in Effect 23
	192-199	Null
	200-207	Null
	208-215	Null
20		

	216-223 224-231 232-239 240-247 248-255	Null Null Null Null Null
21	000-127 128-255	LINE_W MACRO SPEED Slow to Fast without Fade Slow to Fast with Fade
22	000-255	LINE_RGB RED 0%→100%
23	000-255	LINE_RGB GREEN 0%→100%
24	000-255	LINE_RGB BLUE 0%→100%
25	000-007 008-015 016-023 024-031 032-039 040-047 048-055 056-063 064-071 072-079 080-087 088-095 096-103 104-111 112-119 120-127 128-135 136-143 144-151 152-159 160-167 168-175 176-183 184-191 192-199 200-207 208-215 216-223 224-231 232-239 240-247 248-255	LINE_RGB COLOR Null Color1 Color2 Color3 Color4 Color5 Color6 Color7 Color8 Color9 Color10 Color11 Color12 Color13 Color14 Color15 Color16 Color17 Color18 Color19 Color20 Color21 Color22 Color23 Color24 Color25 Color26 Color27 Color28 Color29 Color30 Color31

26	000-007 008-015 016-023 024-031 032-039 040-047 048-055 056-063 064-071 072-079 080-087 088-095 096-103 104-111 112-119 120-127 128-135 136-143 144-151 152-159 160-167 168-175 176-183 184-191 192-199 200-207 208-215 216-223 224-231 232-239 240-247 248-255	LINE_RGB MACRO Null Built-in Effect 1 Built-in Effect 2 Built-in Effect 3 Built-in Effect 4 Built-in Effect 5 Built-in Effect 6 Built-in Effect 7 Built-in Effect 8 Built-in Effect 9 Built-in Effect 10 Built-in Effect 11 Built-in Effect 12 Built-in Effect 13 Built-in Effect 14 Built-in Effect 15 Built-in Effect 16 Built-in Effect 17 Built-in Effect 18 Built-in Effect 19 Built-in Effect 20 Built-in Effect 21 Built-in Effect 22 Built-in Effect 23 Null Null Null Null Null Null Null
27	000-127 128-255	LINE_RGB MACRO SPEED Slow to Fast without Fade Slow to Fast with Fade

99 Channels (Mode 3):

CHANNEL	VALUE	FUNCTION
1	000-255	TILT 0°→202°
2	000-255	TILT FINE
3	000-255	ZOOM Wide→Narrow
4	000-255	DIMMER 0%→100%
5	000-007	MAIN STROBE Close
	008-015	Open
	016-131	Strobe from Slow to Fast
	132-139	Open
	140-181	Slow Open Fast Close from Slow to Fast
	182-189	Open
	190-231	Fast Open Slow Close from Slow to Fast
	232-239	Open
	240-247	Random Strobe from Slow to Fast
248-255	Open	
6	000-007	LINE_W STROBE Close
	008-015	Open
	016-131	Strobe from Slow to Fast
	132-139	Open
	140-181	Slow Open Fast Close from Slow to Fast
	182-189	Open
	190-231	Fast Open Slow Close from Slow to Fast
	232-239	Open
	240-247	Random Strobe from Slow to Fast
248-255	Open	
7	000-007	LINE_RGB STROBE Close
	008-015	Open
	016-131	Strobe from Slow to Fast
	132-139	Open
	140-181	Slow Open Fast Close from Slow to Fast
	182-189	Open
	190-231	Fast Open Slow Close from Slow to Fast
	232-239	Open
	240-247	Random Strobe from Slow to Fast
248-255	Open	
8	000-029	SPECIAL FUNCTION Null
	030-039	Dimmer Curve: Linear

	040-049 050-059 060-069 070-079 080-089 090-099 100-109 110-119 120-122 123 124 125 126 127 128 129 130 131 132 133 134 135 136 137 138-139 140-149 150-159 160-169 170-179 180-199 200-209 210-219 220-229 230-239 240-249 250-255	Dimmer Curve: Square Law Dimmer Curve: Inv SQ Law Dimmer Curve: S Curve Power Mode: Standard Null Power Mode: Quiet Led Frequency Setting Enable Led Frequency Setting Disable Null 900Hz 1000Hz 1100Hz 1200Hz 1300Hz 1400Hz 1500Hz 2500Hz 4000Hz 5000Hz 6000Hz 10KHz 15KHz 20KHz 25KHz Null Tilt Reset Effect Reset CCT Calibration: On CCT Calibration: Off Null All Reset Dimmer Speed: Fast Dimmer Speed: Smooth Line Power Mode: Off Line Power Mode: On Null
9	000-255	MAIN RED 1 0%→100%
10	000-255	MAIN GREEN 1 0%→100%
11	000-255	MAIN BLUE 1 0%→100%
12	000-255	MAIN WHITE 1 0%→100%
13	000-255	MAIN RED 2 0%→100%

14	000-255	MAIN GREEN 2 0%→100%
15	000-255	MAIN BLUE 2 0%→100%
16	000-255	MAIN WHITE 2 0%→100%
17	000-255	MAIN RED 3 0%→100%
18	000-255	MAIN GREEN 3 0%→100%
19	000-255	MAIN BLUE 3 0%→100%
20	000-255	MAIN WHITE 3 0%→100%
21	000-255	MAIN RED 4 0%→100%
22	000-255	MAIN GREEN 4 0%→100%
23	000-255	MAIN BLUE 4 0%→100%
24	000-255	MAIN WHITE 4 0%→100%
25	000-255	MAIN RED 5 0%→100%
26	000-255	MAIN GREEN 5 0%→100%
27	000-255	MAIN BLUE 5 0%→100%
28	000-255	MAIN WHITE 5 0%→100%
29	000-255	MAIN RED 6 0%→100%
30	000-255	MAIN GREEN 6 0%→100%
31	000-255	MAIN BLUE 6 0%→100%
32	000-255	MAIN WHITE 6 0%→100%
33	000-255	MAIN RED 7 0%→100%
34	000-255	MAIN GREEN 7 0%→100%
35	000-255	MAIN BLUE 7 0%→100%

36	000-255	MAIN WHITE 7 0%→100%
37	000-255	MAIN RED 8 0%→100%
38	000-255	MAIN GREEN 8 0%→100%
39	000-255	MAIN BLUE 8 0%→100%
40	000-255	MAIN WHITE 8 0%→100%
41	000-255	MAIN RED 9 0%→100%
42	000-255	MAIN GREEN 9 0%→100%
43	000-255	MAIN BLUE 9 0%→100%
44	000-255	MAIN WHITE 9 0%→100%
45	000-255	MAIN RED 10 0%→100%
46	000-255	MAIN GREEN 10 0%→100%
47	000-255	MAIN BLUE 10 0%→100%
48	000-255	MAIN WHITE 10 0%→100%
49	000-255	LINE_W CW 1 0%→100%
50	000-255	LINE_W WW 1 0%→100%
51	000-255	LINE_W CW 2 0%→100%
52	000-255	LINE_W WW 2 0%→100%
53	000-255	LINE_W CW 3 0%→100%
54	000-255	LINE_W WW 3 0%→100%
55	000-255	LINE_W CW 4 0%→100%
56	000-255	LINE_W WW 4 0%→100%
57	000-255	LINE_W CW 5 0%→100%

58	000-255	LINE_W WW 5 0%→100%
59	000-255	LINE_W CW 6 0%→100%
60	000-255	LINE_W WW 6 0%→100%
61	000-255	LINE_W CW 7 0%→100%
62	000-255	LINE_W WW 7 0%→100%
63	000-255	LINE_W CW 8 0%→100%
64	000-255	LINE_W WW 8 0%→100%
65	000-255	LINE_W CW 9 0%→100%
66	000-255	LINE_W WW 9 0%→100%
67	000-255	LINE_W CW 10 0%→100%
68	000-255	LINE_W WW 10 0%→100%
69	000-255	LINE_W CW 11 0%→100%
70	000-255	LINE_W WW 11 0%→100%
71	000-255	LINE_W CW 12 0%→100%
72	000-255	LINE_W WW 12 0%→100%
73	000-255	LINE_W CW 13 0%→100%
74	000-255	LINE_W WW 13 0%→100%
75	000-255	LINE_W CW 14 0%→100%
76	000-255	LINE_W WW 14 0%→100%
77	000-255	LINE_W CW 15 0%→100%
78	000-255	LINE_W WW 15 0%→100%
79	000-255	LINE_W CW 16 0%→100%

80	000-255	LINE_W WW 16 0%→100%
81	000-255	LINE_W CW 17 0%→100%
82	000-255	LINE_W WW 17 0%→100%
83	000-255	LINE_W CW 18 0%→100%
84	000-255	LINE_W WW 18 0%→100%
85	000-255	LINE_W CW 19 0%→100%
86	000-255	LINE_W WW 19 0%→100%
87	000-255	LINE_W CW 20 0%→100%
88	000-255	LINE_W WW 20 0%→100%
89	000-255	LINE_W CW 21 0%→100%
90	000-255	LINE_W WW 21 0%→100%
91	000-255	LINE_W CW 22 0%→100%
92	000-255	LINE_W WW 22 0%→100%
93	000-255	LINE_W CW 23 0%→100%
94	000-255	LINE_W WW 23 0%→100%
95	000-255	LINE_W CW 24 0%→100%
96	000-255	LINE_W WW 24 0%→100%
97	000-255	LINE_RGB RED 0%→100%
98	000-255	LINE_RGB GREEN 0%→100%
99	000-255	LINE_RGB BLUE 0%→100%

108 Channels (Mode 4):

CHANNEL	VALUE	FUNCTION
1	000-255	TILT 0°→202°
2	000-255	TILT FINE
3	000-255	ZOOM Wide→Narrow
4	000-255	DIMMER 0%→100%
5	000-007	MAIN STROBE Close
	008-015	Open
	016-131	Strobe from Slow to Fast
	132-139	Open
	140-181	Slow Open Fast Close from Slow to Fast
	182-189	Open
	190-231	Fast Open Slow Close from Slow to Fast
	232-239	Open
	240-247	Random Strobe from Slow to Fast
248-255	Open	
6	000-007	LINE_W STROBE Close
	008-015	Open
	016-131	Strobe from Slow to Fast
	132-139	Open
	140-181	Slow Open Fast Close from Slow to Fast
	182-189	Open
	190-231	Fast Open Slow Close from Slow to Fast
	232-239	Open
	240-247	Random Strobe from Slow to Fast
248-255	Open	
7	000-007	LINE_RGB STROBE Close
	008-015	Open
	016-131	Strobe from Slow to Fast
	132-139	Open
	140-181	Slow Open Fast Close from Slow to Fast
	182-189	Open
	190-231	Fast Open Slow Close from Slow to Fast
	232-239	Open
	240-247	Random Strobe from Slow to Fast
248-255	Open	
8	000-029	SPECIAL FUNCTION Null
	030-039	Dimmer Curve: Linear

	040-049	Dimmer Curve: Square Law
	050-059	Dimmer Curve: Inv SQ Law
	060-069	Dimmer Curve: S Curve
	070-079	Power Mode: Standard
	080-089	Null
	090-099	Power Mode: Quiet
	100-109	Led Frequency Setting Enable
	110-119	Led Frequency Setting Disable
	120-122	Null
	123	900Hz
	124	1000Hz
	125	1100Hz
	126	1200Hz
	127	1300Hz
	128	1400Hz
	129	1500Hz
	130	2500Hz
	131	4000Hz
	132	5000Hz
	133	6000Hz
	134	10KHz
	135	15KHz
	136	20KHz
	137	25KHz
	138-139	Null
	140-149	Tilt Reset
	150-159	Effect Reset
	160-169	CCT Calibration: On
	170-179	CCT Calibration: Off
	180-199	Null
	200-209	All Reset
	210-219	Dimmer Speed: Fast
	220-229	Dimmer Speed: Smooth
	230-239	Line Power Mode: Off
	240-249	Line Power Mode: On
	250-255	Null
9	000-255	MAIN RED 1 0%→100%
10	000-255	MAIN GREEN 1 0%→100%
11	000-255	MAIN BLUE 1 0%→100%
12	000-255	MAIN WHITE 1 0%→100%
13	000-255	MAIN RED 2 0%→100%

14	000-255	MAIN GREEN 2 0%→100%
15	000-255	MAIN BLUE 2 0%→100%
16	000-255	MAIN WHITE 2 0%→100%
17	000-255	MAIN RED 3 0%→100%
18	000-255	MAIN GREEN 3 0%→100%
19	000-255	MAIN BLUE 3 0%→100%
20	000-255	MAIN WHITE 3 0%→100%
21	000-255	MAIN RED 4 0%→100%
22	000-255	MAIN GREEN 4 0%→100%
23	000-255	MAIN BLUE 4 0%→100%
24	000-255	MAIN WHITE 4 0%→100%
25	000-255	MAIN RED 5 0%→100%
26	000-255	MAIN GREEN 5 0%→100%
27	000-255	MAIN BLUE 5 0%→100%
28	000-255	MAIN WHITE 5 0%→100%
29	000-255	MAIN RED 6 0%→100%
30	000-255	MAIN GREEN 6 0%→100%
31	000-255	MAIN BLUE 6 0%→100%
32	000-255	MAIN WHITE 6 0%→100%
33	000-255	MAIN RED 7 0%→100%
34	000-255	MAIN GREEN 7 0%→100%
35	000-255	MAIN BLUE 7 0%→100%

36	000-255	MAIN WHITE 7 0%→100%
37	000-255	MAIN RED 8 0%→100%
38	000-255	MAIN GREEN 8 0%→100%
39	000-255	MAIN BLUE 8 0%→100%
40	000-255	MAIN WHITE 8 0%→100%
41	000-255	MAIN RED 9 0%→100%
42	000-255	MAIN GREEN 9 0%→100%
43	000-255	MAIN BLUE 9 0%→100%
44	000-255	MAIN WHITE 9 0%→100%
45	000-255	MAIN RED 10 0%→100%
46	000-255	MAIN GREEN 10 0%→100%
47	000-255	MAIN BLUE 10 0%→100%
48	000-255	MAIN WHITE 10 0%→100%
49	000-255	LINE_W CW 1 0%→100%
50	000-255	LINE_W WW 1 0%→100%
51	000-255	LINE_W CW 2 0%→100%
52	000-255	LINE_W WW 2 0%→100%
53	000-255	LINE_W CW 3 0%→100%
54	000-255	LINE_W WW 3 0%→100%
55	000-255	LINE_W CW 4 0%→100%
56	000-255	LINE_W WW 4 0%→100%
57	000-255	LINE_W CW 5 0%→100%

58	000-255	LINE_W WW 5 0%→100%
59	000-255	LINE_W CW 6 0%→100%
60	000-255	LINE_W WW 6 0%→100%
61	000-255	LINE_W CW 7 0%→100%
62	000-255	LINE_W WW 7 0%→100%
63	000-255	LINE_W CW 8 0%→100%
64	000-255	LINE_W WW 8 0%→100%
65	000-255	LINE_W CW 9 0%→100%
66	000-255	LINE_W WW 9 0%→100%
67	000-255	LINE_W CW 10 0%→100%
68	000-255	LINE_W WW 10 0%→100%
69	000-255	LINE_W CW 11 0%→100%
70	000-255	LINE_W WW 11 0%→100%
71	000-255	LINE_W CW 12 0%→100%
72	000-255	LINE_W WW 12 0%→100%
73	000-255	LINE_RGB RED 1 0%→100%
74	000-255	LINE_RGB GREEN 1 0%→100%
75	000-255	LINE_RGB BLUE 1 0%→100%
76	000-255	LINE_RGB RED 2 0%→100%
77	000-255	LINE_RGB GREEN 2 0%→100%
78	000-255	LINE_RGB BLUE 2 0%→100%
79	000-255	LINE_RGB RED 3 0%→100%

80	000-255	LINE_RGB GREEN 3 0%→100%
81	000-255	LINE_RGB BLUE 3 0%→100%
82	000-255	LINE_RGB RED 4 0%→100%
83	000-255	LINE_RGB GREEN 4 0%→100%
84	000-255	LINE_RGB BLUE 4 0%→100%
85	000-255	LINE_RGB RED 5 0%→100%
86	000-255	LINE_RGB GREEN 5 0%→100%
87	000-255	LINE_RGB BLUE 5 0%→100%
88	000-255	LINE_RGB RED 6 0%→100%
89	000-255	LINE_RGB GREEN 6 0%→100%
90	000-255	LINE_RGB BLUE 6 0%→100%
91	000-255	LINE_RGB RED 7 0%→100%
92	000-255	LINE_RGB GREEN 7 0%→100%
93	000-255	LINE_RGB BLUE 7 0%→100%
94	000-255	LINE_RGB RED 8 0%→100%
95	000-255	LINE_RGB GREEN 8 0%→100%
96	000-255	LINE_RGB BLUE 8 0%→100%
97	000-255	LINE_RGB RED 9 0%→100%
98	000-255	LINE_RGB GREEN 9 0%→100%
99	000-255	LINE_RGB BLUE 9 0%→100%
100	000-255	LINE_RGB RED 10 0%→100%
101	000-255	LINE_RGB GREEN 10 0%→100%

102	000-255	LINE_RGB BLUE 10 0%→100%
103	000-255	LINE_RGB RED 11 0%→100%
104	000-255	LINE_RGB GREEN 11 0%→100%
105	000-255	LINE_RGB BLUE 11 0%→100%
106	000-255	LINE_RGB RED 12 0%→100%
107	000-255	LINE_RGB GREEN 12 0%→100%
108	000-255	LINE_RGB BLUE 12 0%→100%

168 Channels (Mode 5):

CHANNEL	VALUE	FUNCTION
1	000-255	TILT 0°→202°
2	000-255	TILT FINE
3	000-255	ZOOM Wide→Narrow
4	000-255	DIMMER 0%→100%
5	000-007	MAIN STROBE Close
	008-015	Open
	016-131	Strobe from Slow to Fast
	132-139	Open
	140-181	Slow Open Fast Close from Slow to Fast
	182-189	Open
	190-231	Fast Open Slow Close from Slow to Fast
	232-239	Open
6	240-247	Random Strobe from Slow to Fast
	248-255	Open
	000-007	LINE_W STROBE Close
	008-015	Open
6	016-131	Strobe from Slow to Fast
	132-139	Open
	140-181	Slow Open Fast Close from Slow to Fast
	182-189	Open
	190-231	Fast Open Slow Close from Slow to Fast

	232-239 240-247 248-255	Open Random Strobe from Slow to Fast Open
7	000-007 008-015 016-131 132-139 140-181 182-189 190-231 232-239 240-247 248-255	LINE_RGB STROBE Close Open Strobe from Slow to Fast Open Slow Open Fast Close from Slow to Fast Open Fast Open Slow Close from Slow to Fast Open Random Strobe from Slow to Fast Open
8	000-029 030-039 040-049 050-059 060-069 070-079 080-089 090-099 100-109 110-119 120-122 123 124 125 126 127 128 129 130 131 132 133 134 135 136 137 138-139 140-149 150-159 160-169 170-179 180-199	SPECIAL FUNCTION Null Dimmer Curve: Linear Dimmer Curve: Square Law Dimmer Curve: Inv SQ Law Dimmer Curve: S Curve Power Mode: Standard Null Power Mode: Quiet Led Frequency Setting Enable Led Frequency Setting Disable Null 900Hz 1000Hz 1100Hz 1200Hz 1300Hz 1400Hz 1500Hz 2500Hz 4000Hz 5000Hz 6000Hz 10KHz 15KHz 20KHz 25KHz Null Tilt Reset Effect Reset CCT Calibration: On CCT Calibration: Off Null

	200-209 210-219 220-229 230-239 240-249 250-255	All Reset Dimmer Speed: Fast Dimmer Speed: Smooth Line Power Mode: Off Line Power Mode: On Null
9	000-255	MAIN RED 1 0%→100%
10	000-255	MAIN GREEN 1 0%→100%
11	000-255	MAIN BLUE 1 0%→100%
12	000-255	MAIN WHITE 1 0%→100%
13	000-255	MAIN RED 2 0%→100%
14	000-255	MAIN GREEN 2 0%→100%
15	000-255	MAIN BLUE 2 0%→100%
16	000-255	MAIN WHITE 2 0%→100%
17	000-255	MAIN RED 3 0%→100%
18	000-255	MAIN GREEN 3 0%→100%
19	000-255	MAIN BLUE 3 0%→100%
20	000-255	MAIN WHITE 3 0%→100%
21	000-255	MAIN RED 4 0%→100%
22	000-255	MAIN GREEN 4 0%→100%
23	000-255	MAIN BLUE 4 0%→100%
24	000-255	MAIN WHITE 4 0%→100%
25	000-255	MAIN RED 5 0%→100%
26	000-255	MAIN GREEN 5 0%→100%
27	000-255	MAIN BLUE 5 0%→100%

28	000-255	MAIN WHITE 5 0%→100%
29	000-255	MAIN RED 6 0%→100%
30	000-255	MAIN GREEN 6 0%→100%
31	000-255	MAIN BLUE 6 0%→100%
32	000-255	MAIN WHITE 6 0%→100%
33	000-255	MAIN RED 7 0%→100%
34	000-255	MAIN GREEN 7 0%→100%
35	000-255	MAIN BLUE 7 0%→100%
36	000-255	MAIN WHITE 7 0%→100%
37	000-255	MAIN RED 8 0%→100%
38	000-255	MAIN GREEN 8 0%→100%
39	000-255	MAIN BLUE 8 0%→100%
40	000-255	MAIN WHITE 8 0%→100%
41	000-255	MAIN RED 9 0%→100%
42	000-255	MAIN GREEN 9 0%→100%
43	000-255	MAIN BLUE 9 0%→100%
44	000-255	MAIN WHITE 9 0%→100%
45	000-255	MAIN RED 10 0%→100%
46	000-255	MAIN GREEN 10 0%→100%
47	000-255	MAIN BLUE 10 0%→100%
48	000-255	MAIN WHITE 10 0%→100%
49	000-255	LINE_W CW 1 0%→100%

50	000-255	LINE_W WW 1 0%→100%
51	000-255	LINE_W CW 2 0%→100%
52	000-255	LINE_W WW 2 0%→100%
53	000-255	LINE_W CW 3 0%→100%
54	000-255	LINE_W WW 3 0%→100%
55	000-255	LINE_W CW 4 0%→100%
56	000-255	LINE_W WW 4 0%→100%
57	000-255	LINE_W CW 5 0%→100%
58	000-255	LINE_W WW 5 0%→100%
59	000-255	LINE_W CW 6 0%→100%
60	000-255	LINE_W WW 6 0%→100%
61	000-255	LINE_W CW 7 0%→100%
62	000-255	LINE_W WW 7 0%→100%
63	000-255	LINE_W CW 8 0%→100%
64	000-255	LINE_W WW 8 0%→100%
65	000-255	LINE_W CW 9 0%→100%
66	000-255	LINE_W WW 9 0%→100%
67	000-255	LINE_W CW 10 0%→100%
68	000-255	LINE_W WW 10 0%→100%
69	000-255	LINE_W CW 11 0%→100%
70	000-255	LINE_W WW 11 0%→100%
71	000-255	LINE_W CW 12 0%→100%

72	000-255	LINE_W WW 12 0%→100%
73	000-255	LINE_W CW 13 0%→100%
74	000-255	LINE_W WW 13 0%→100%
75	000-255	LINE_W CW 14 0%→100%
76	000-255	LINE_W WW 14 0%→100%
77	000-255	LINE_W CW 15 0%→100%
78	000-255	LINE_W WW 15 0%→100%
79	000-255	LINE_W CW 16 0%→100%
80	000-255	LINE_W WW 16 0%→100%
81	000-255	LINE_W CW 17 0%→100%
82	000-255	LINE_W WW 17 0%→100%
83	000-255	LINE_W CW 18 0%→100%
84	000-255	LINE_W WW 18 0%→100%
85	000-255	LINE_W CW 19 0%→100%
86	000-255	LINE_W WW 19 0%→100%
87	000-255	LINE_W CW 20 0%→100%
88	000-255	LINE_W WW 20 0%→100%
89	000-255	LINE_W CW 21 0%→100%
90	000-255	LINE_W WW 21 0%→100%
91	000-255	LINE_W CW 22 0%→100%
92	000-255	LINE_W WW 22 0%→100%
93	000-255	LINE_W CW 23 0%→100%

94	000-255	LINE_W WW 23 0%→100%
95	000-255	LINE_W CW 24 0%→100%
96	000-255	LINE_W WW 24 0%→100%
97	000-255	LINE_RGB RED 1 0%→100%
98	000-255	LINE_RGB GREEN 1 0%→100%
99	000-255	LINE_RGB BLUE 1 0%→100%
100	000-255	LINE_RGB RED 2 0%→100%
101	000-255	LINE_RGB GREEN 2 0%→100%
102	000-255	LINE_RGB BLUE 2 0%→100%
103	000-255	LINE_RGB RED 3 0%→100%
104	000-255	LINE_RGB GREEN 3 0%→100%
105	000-255	LINE_RGB BLUE 3 0%→100%
106	000-255	LINE_RGB RED 4 0%→100%
107	000-255	LINE_RGB GREEN 4 0%→100%
108	000-255	LINE_RGB BLUE 4 0%→100%
109	000-255	LINE_RGB RED 5 0%→100%
110	000-255	LINE_RGB GREEN 5 0%→100%
111	000-255	LINE_RGB BLUE 5 0%→100%
112	000-255	LINE_RGB RED 6 0%→100%
113	000-255	LINE_RGB GREEN 6 0%→100%
114	000-255	LINE_RGB BLUE 6 0%→100%
115	000-255	LINE_RGB RED 7 0%→100%

116	000-255	LINE_RGB GREEN 7 0%→100%
117	000-255	LINE_RGB BLUE 7 0%→100%
118	000-255	LINE_RGB RED 8 0%→100%
119	000-255	LINE_RGB GREEN 8 0%→100%
120	000-255	LINE_RGB BLUE 8 0%→100%
121	000-255	LINE_RGB RED 9 0%→100%
122	000-255	LINE_RGB GREEN 9 0%→100%
123	000-255	LINE_RGB BLUE 9 0%→100%
124	000-255	LINE_RGB RED 10 0%→100%
125	000-255	LINE_RGB GREEN 10 0%→100%
126	000-255	LINE_RGB BLUE 10 0%→100%
127	000-255	LINE_RGB RED 11 0%→100%
128	000-255	LINE_RGB GREEN 11 0%→100%
129	000-255	LINE_RGB BLUE 11 0%→100%
130	000-255	LINE_RGB RED 12 0%→100%
131	000-255	LINE_RGB GREEN 12 0%→100%
132	000-255	LINE_RGB BLUE 12 0%→100%
133	000-255	LINE_RGB RED 13 0%→100%
134	000-255	LINE_RGB GREEN 13 0%→100%
135	000-255	LINE_RGB BLUE 13 0%→100%
136	000-255	LINE_RGB RED 14 0%→100%
137	000-255	LINE_RGB GREEN 14 0%→100%

138	000-255	LINE_RGB BLUE 14 0%→100%
139	000-255	LINE_RGB RED 15 0%→100%
140	000-255	LINE_RGB GREEN 15 0%→100%
141	000-255	LINE_RGB BLUE 15 0%→100%
142	000-255	LINE_RGB RED 16 0%→100%
143	000-255	LINE_RGB GREEN 16 0%→100%
144	000-255	LINE_RGB BLUE 16 0%→100%
145	000-255	LINE_RGB RED 17 0%→100%
146	000-255	LINE_RGB GREEN 17 0%→100%
147	000-255	LINE_RGB BLUE 17 0%→100%
148	000-255	LINE_RGB RED 18 0%→100%
149	000-255	LINE_RGB GREEN 18 0%→100%
150	000-255	LINE_RGB BLUE 18 0%→100%
151	000-255	LINE_RGB RED 19 0%→100%
152	000-255	LINE_RGB GREEN 19 0%→100%
153	000-255	LINE_RGB BLUE 19 0%→100%
154	000-255	LINE_RGB RED 20 0%→100%
155	000-255	LINE_RGB GREEN 20 0%→100%
156	000-255	LINE_RGB BLUE 20 0%→100%
157	000-255	LINE_RGB RED 21 0%→100%
158	000-255	LINE_RGB GREEN 21 0%→100%
159	000-255	LINE_RGB BLUE 21 0%→100%

160	000-255	LINE_RGB RED 22 0%→100%
161	000-255	LINE_RGB GREEN 22 0%→100%
162	000-255	LINE_RGB BLUE 22 0%→100%
163	000-255	LINE_RGB RED 23 0%→100%
164	000-255	LINE_RGB GREEN 23 0%→100%
165	000-255	LINE_RGB BLUE 23 0%→100%
166	000-255	LINE_RGB RED 24 0%→100%
167	000-255	LINE_RGB GREEN 24 0%→100%
168	000-255	LINE_RGB BLUE 24 0%→100%

8+100 Channels (Mode 6):

CHANNEL	VALUE	FUNCTION
Controlled by DMX		
1	000-255	TILT 0°→202°
2	000-255	TILT FINE
3	000-255	ZOOM Wide→Narrow
4	000-255	DIMMER 0%→100%
5	000-007 008-015 016-131 132-139 140-181 182-189 190-231 232-239 240-247 248-255	MAIN STROBE Close Open Strobe from Slow to Fast Open Slow Open Fast Close from Slow to Fast Open Fast Open Slow Close from Slow to Fast Open Random Strobe from Slow to Fast Open
6	000-007 008-015	LINE_W STROBE Close Open

	016-131 132-139 140-181 182-189 190-231 232-239 240-247 248-255	Strobe from Slow to Fast Open Slow Open Fast Close from Slow to Fast Open Fast Open Slow Close from Slow to Fast Open Random Strobe from Slow to Fast Open
7	000-007 008-015 016-131 132-139 140-181 182-189 190-231 232-239 240-247 248-255	LINE_RGB STROBE Close Open Strobe from Slow to Fast Open Slow Open Fast Close from Slow to Fast Open Fast Open Slow Close from Slow to Fast Open Random Strobe from Slow to Fast Open
8	000-029 030-039 040-049 050-059 060-069 070-079 080-089 090-099 100-109 110-119 120-122 123 124 125 126 127 128 129 130 131 132 133 134 135 136 137 138-139	SPECIAL FUNCTION Null Dimmer Curve: Linear Dimmer Curve: Square Law Dimmer Curve: Inv SQ Law Dimmer Curve: S Curve Power Mode: Standard Null Power Mode: Quiet Led Frequency Setting Enable Led Frequency Setting Disable Null 900Hz 1000Hz 1100Hz 1200Hz 1300Hz 1400Hz 1500Hz 2500Hz 4000Hz 5000Hz 6000Hz 10KHz 15KHz 20KHz 25KHz Null

	140-149 150-159 160-169 170-179 180-199 200-209 210-219 220-229 230-239 240-249 250-255	Tilt Reset Effect Reset CCT Calibration: On CCT Calibration: Off Null All Reset Dimmer Speed: Fast Dimmer Speed: Smooth Line Power Mode: Off Line Power Mode: On Null
--	---	---

Controlled by Art-Net

1	000-255	MAIN RED 1 0%→100%
2	000-255	MAIN GREEN 1 0%→100%
3	000-255	MAIN BLUE 1 0%→100%
4	000-255	MAIN WHITE 1 0%→100%
5	000-255	MAIN RED 2 0%→100%
6	000-255	MAIN GREEN 2 0%→100%
7	000-255	MAIN BLUE 2 0%→100%
8	000-255	MAIN WHITE 2 0%→100%
9	000-255	MAIN RED 3 0%→100%
10	000-255	MAIN GREEN 3 0%→100%
11	000-255	MAIN BLUE 3 0%→100%
12	000-255	MAIN WHITE 3 0%→100%
13	000-255	MAIN RED 4 0%→100%
14	000-255	MAIN GREEN 4 0%→100%
15	000-255	MAIN BLUE 4 0%→100%
16	000-255	MAIN WHITE 4 0%→100%

17	000-255	MAIN RED 5 0%→100%
18	000-255	MAIN GREEN 5 0%→100%
19	000-255	MAIN BLUE 5 0%→100%
20	000-255	MAIN WHITE 5 0%→100%
21	000-255	MAIN RED 6 0%→100%
22	000-255	MAIN GREEN 6 0%→100%
23	000-255	MAIN BLUE 6 0%→100%
24	000-255	MAIN WHITE 6 0%→100%
25	000-255	MAIN RED 7 0%→100%
26	000-255	MAIN GREEN 7 0%→100%
27	000-255	MAIN BLUE 7 0%→100%
28	000-255	MAIN WHITE 7 0%→100%
29	000-255	MAIN RED 8 0%→100%
30	000-255	MAIN GREEN 8 0%→100%
31	000-255	MAIN BLUE 8 0%→100%
32	000-255	MAIN WHITE 8 0%→100%
33	000-255	MAIN RED 9 0%→100%
34	000-255	MAIN GREEN 9 0%→100%
35	000-255	MAIN BLUE 9 0%→100%
36	000-255	MAIN WHITE 9 0%→100%
37	000-255	MAIN RED 10 0%→100%
38	000-255	MAIN GREEN 10 0%→100%

39	000-255	MAIN BLUE 10 0%→100%
40	000-255	MAIN WHITE 10 0%→100%
41	000-255	LINE_W CW 1 0%→100%
42	000-255	LINE_W WW 1 0%→100%
43	000-255	LINE_W CW 2 0%→100%
44	000-255	LINE_W WW 2 0%→100%
45	000-255	LINE_W CW 3 0%→100%
46	000-255	LINE_W WW 3 0%→100%
47	000-255	LINE_W CW 4 0%→100%
48	000-255	LINE_W WW 4 0%→100%
49	000-255	LINE_W CW 5 0%→100%
50	000-255	LINE_W WW 5 0%→100%
51	000-255	LINE_W CW 6 0%→100%
52	000-255	LINE_W WW 6 0%→100%
53	000-255	LINE_W CW 7 0%→100%
54	000-255	LINE_W WW 7 0%→100%
55	000-255	LINE_W CW 8 0%→100%
56	000-255	LINE_W WW 8 0%→100%
57	000-255	LINE_W CW 9 0%→100%
58	000-255	LINE_W WW 9 0%→100%
59	000-255	LINE_W CW 10 0%→100%
60	000-255	LINE_W WW 10 0%→100%

61	000-255	LINE_W CW 11 0%→100%
62	000-255	LINE_W WW 11 0%→100%
63	000-255	LINE_W CW 12 0%→100%
64	000-255	LINE_W WW 12 0%→100%
65	000-255	LINE_RGB RED 1 0%→100%
66	000-255	LINE_RGB GREEN 1 0%→100%
67	000-255	LINE_RGB BLUE 1 0%→100%
68	000-255	LINE_RGB RED 2 0%→100%
69	000-255	LINE_RGB GREEN 2 0%→100%
70	000-255	LINE_RGB BLUE 2 0%→100%
71	000-255	LINE_RGB RED 3 0%→100%
72	000-255	LINE_RGB GREEN 3 0%→100%
73	000-255	LINE_RGB BLUE 3 0%→100%
74	000-255	LINE_RGB RED 4 0%→100%
75	000-255	LINE_RGB GREEN 4 0%→100%
76	000-255	LINE_RGB BLUE 4 0%→100%
77	000-255	LINE_RGB RED 5 0%→100%
78	000-255	LINE_RGB GREEN 5 0%→100%
79	000-255	LINE_RGB BLUE 5 0%→100%
80	000-255	LINE_RGB RED 6 0%→100%
81	000-255	LINE_RGB GREEN 6 0%→100%
82	000-255	LINE_RGB BLUE 6 0%→100%

83	000-255	LINE_RGB RED 7 0%→100%
84	000-255	LINE_RGB GREEN 7 0%→100%
85	000-255	LINE_RGB BLUE 7 0%→100%
86	000-255	LINE_RGB RED 8 0%→100%
87	000-255	LINE_RGB GREEN 8 0%→100%
88	000-255	LINE_RGB BLUE 8 0%→100%
89	000-255	LINE_RGB RED 9 0%→100%
90	000-255	LINE_RGB GREEN 9 0%→100%
91	000-255	LINE_RGB BLUE 9 0%→100%
92	000-255	LINE_RGB RED 10 0%→100%
93	000-255	LINE_RGB GREEN 10 0%→100%
94	000-255	LINE_RGB BLUE 10 0%→100%
95	000-255	LINE_RGB RED 11 0%→100%
96	000-255	LINE_RGB GREEN 11 0%→100%
97	000-255	LINE_RGB BLUE 11 0%→100%
98	000-255	LINE_RGB RED 12 0%→100%
99	000-255	LINE_RGB GREEN 12 0%→100%
100	000-255	LINE_RGB BLUE 12 0%→100%

8+160 Channels (Mode 7):

CHANNEL	VALUE	FUNCTION
Controlled by DMX		
1	000-255	TILT 0°→202°
2	000-255	TILT FINE
3	000-255	ZOOM Wide→Narrow
4	000-255	DIMMER 0%→100%
5	000-007	MAIN STROBE Close
	008-015	Open
	016-131	Strobe from Slow to Fast
	132-139	Open
	140-181	Slow Open Fast Close from Slow to Fast
	182-189	Open
	190-231	Fast Open Slow Close from Slow to Fast
	232-239	Open
	240-247	Random Strobe from Slow to Fast
248-255	Open	
6	000-007	LINE_W STROBE Close
	008-015	Open
	016-131	Strobe from Slow to Fast
	132-139	Open
	140-181	Slow Open Fast Close from Slow to Fast
	182-189	Open
	190-231	Fast Open Slow Close from Slow to Fast
	232-239	Open
	240-247	Random Strobe from Slow to Fast
248-255	Open	
7	000-007	LINE_RGB STROBE Close
	008-015	Open
	016-131	Strobe from Slow to Fast
	132-139	Open
	140-181	Slow Open Fast Close from Slow to Fast
	182-189	Open
	190-231	Fast Open Slow Close from Slow to Fast
	232-239	Open
	240-247	Random Strobe from Slow to Fast
248-255	Open	
8		SPECIAL FUNCTION

	000-029	Null
	030-039	Dimmer Curve: Linear
	040-049	Dimmer Curve: Square Law
	050-059	Dimmer Curve: Inv SQ Law
	060-069	Dimmer Curve: S Curve
	070-079	Power Mode: Standard
	080-089	Null
	090-099	Power Mode: Quiet
	100-109	Led Frequency Setting Enable
	110-119	Led Frequency Setting Disable
	120-122	Null
	123	900Hz
	124	1000Hz
	125	1100Hz
	126	1200Hz
	127	1300Hz
	128	1400Hz
	129	1500Hz
	130	2500Hz
	131	4000Hz
	132	5000Hz
	133	6000Hz
	134	10KHz
	135	15KHz
	136	20KHz
	137	25KHz
	138-139	Null
	140-149	Tilt Reset
	150-159	Effect Reset
	160-169	CCT Calibration: On
	170-179	CCT Calibration: Off
	180-199	Null
	200-209	All Reset
	210-219	Dimmer Speed: Fast
	220-229	Dimmer Speed: Smooth
	230-239	Line Power Mode: Off
	240-249	Line Power Mode: On
	250-255	Null

Controlled by Art-Net

1	000-255	MAIN RED 1 0%→100%
2	000-255	MAIN GREEN 1 0%→100%
3	000-255	MAIN BLUE 1 0%→100%
4		MAIN WHITE 1

	000-255	0%→100%
5	000-255	MAIN RED 2 0%→100%
6	000-255	MAIN GREEN 2 0%→100%
7	000-255	MAIN BLUE 2 0%→100%
8	000-255	MAIN WHITE 2 0%→100%
9	000-255	MAIN RED 3 0%→100%
10	000-255	MAIN GREEN 3 0%→100%
11	000-255	MAIN BLUE 3 0%→100%
12	000-255	MAIN WHITE 3 0%→100%
13	000-255	MAIN RED 4 0%→100%
14	000-255	MAIN GREEN 4 0%→100%
15	000-255	MAIN BLUE 4 0%→100%
16	000-255	MAIN WHITE 4 0%→100%
17	000-255	MAIN RED 5 0%→100%
18	000-255	MAIN GREEN 5 0%→100%
19	000-255	MAIN BLUE 5 0%→100%
20	000-255	MAIN WHITE 5 0%→100%
21	000-255	MAIN RED 6 0%→100%
22	000-255	MAIN GREEN 6 0%→100%
23	000-255	MAIN BLUE 6 0%→100%
24	000-255	MAIN WHITE 6 0%→100%
25	000-255	MAIN RED 7 0%→100%

26	000-255	MAIN GREEN 7 0%→100%
27	000-255	MAIN BLUE 7 0%→100%
28	000-255	MAIN WHITE 7 0%→100%
29	000-255	MAIN RED 8 0%→100%
30	000-255	MAIN GREEN 8 0%→100%
31	000-255	MAIN BLUE 8 0%→100%
32	000-255	MAIN WHITE 8 0%→100%
33	000-255	MAIN RED 9 0%→100%
34	000-255	MAIN GREEN 9 0%→100%
35	000-255	MAIN BLUE 9 0%→100%
36	000-255	MAIN WHITE 9 0%→100%
37	000-255	MAIN RED 10 0%→100%
38	000-255	MAIN GREEN 10 0%→100%
39	000-255	MAIN BLUE 10 0%→100%
40	000-255	MAIN WHITE 10 0%→100%
41	000-255	LINE_W CW 1 0%→100%
42	000-255	LINE_W WW 1 0%→100%
43	000-255	LINE_W CW 2 0%→100%
44	000-255	LINE_W WW 2 0%→100%
45	000-255	LINE_W CW 3 0%→100%
46	000-255	LINE_W WW 3 0%→100%
47	000-255	LINE_W CW 4 0%→100%

48	000-255	LINE_W WW 4 0%→100%
49	000-255	LINE_W CW 5 0%→100%
50	000-255	LINE_W WW 5 0%→100%
51	000-255	LINE_W CW 6 0%→100%
52	000-255	LINE_W WW 6 0%→100%
53	000-255	LINE_W CW 7 0%→100%
54	000-255	LINE_W WW 7 0%→100%
55	000-255	LINE_W CW 8 0%→100%
56	000-255	LINE_W WW 8 0%→100%
57	000-255	LINE_W CW 9 0%→100%
58	000-255	LINE_W WW 9 0%→100%
59	000-255	LINE_W CW 10 0%→100%
60	000-255	LINE_W WW 10 0%→100%
61	000-255	LINE_W CW 11 0%→100%
62	000-255	LINE_W WW 11 0%→100%
63	000-255	LINE_W CW 12 0%→100%
64	000-255	LINE_W WW 12 0%→100%
65	000-255	LINE_W CW 13 0%→100%
66	000-255	LINE_W WW 13 0%→100%
67	000-255	LINE_W CW 14 0%→100%
68	000-255	LINE_W WW 14 0%→100%
69	000-255	LINE_W CW 15 0%→100%

70	000-255	LINE_W WW 15 0%→100%
71	000-255	LINE_W CW 16 0%→100%
72	000-255	LINE_W WW 16 0%→100%
73	000-255	LINE_W CW 17 0%→100%
74	000-255	LINE_W WW 17 0%→100%
75	000-255	LINE_W CW 18 0%→100%
76	000-255	LINE_W WW 18 0%→100%
77	000-255	LINE_W CW 19 0%→100%
78	000-255	LINE_W WW 19 0%→100%
79	000-255	LINE_W CW 20 0%→100%
80	000-255	LINE_W WW 20 0%→100%
81	000-255	LINE_W CW 21 0%→100%
82	000-255	LINE_W WW 21 0%→100%
83	000-255	LINE_W CW 22 0%→100%
84	000-255	LINE_W WW 22 0%→100%
85	000-255	LINE_W CW 23 0%→100%
86	000-255	LINE_W WW 23 0%→100%
87	000-255	LINE_W CW 24 0%→100%
88	000-255	LINE_W WW 24 0%→100%
89	000-255	LINE_RGB RED 1 0%→100%
90	000-255	LINE_RGB GREEN 1 0%→100%
91	000-255	LINE_RGB BLUE 1 0%→100%

92	000-255	LINE_RGB RED 2 0%→100%
93	000-255	LINE_RGB GREEN 2 0%→100%
94	000-255	LINE_RGB BLUE 2 0%→100%
95	000-255	LINE_RGB RED 3 0%→100%
96	000-255	LINE_RGB GREEN 3 0%→100%
97	000-255	LINE_RGB BLUE 3 0%→100%
98	000-255	LINE_RGB RED 4 0%→100%
99	000-255	LINE_RGB GREEN 4 0%→100%
100	000-255	LINE_RGB BLUE 4 0%→100%
101	000-255	LINE_RGB RED 5 0%→100%
102	000-255	LINE_RGB GREEN 5 0%→100%
103	000-255	LINE_RGB BLUE 5 0%→100%
104	000-255	LINE_RGB RED 6 0%→100%
105	000-255	LINE_RGB GREEN 6 0%→100%
106	000-255	LINE_RGB BLUE 6 0%→100%
107	000-255	LINE_RGB RED 7 0%→100%
108	000-255	LINE_RGB GREEN 7 0%→100%
109	000-255	LINE_RGB BLUE 7 0%→100%
110	000-255	LINE_RGB RED 8 0%→100%
111	000-255	LINE_RGB GREEN 8 0%→100%
112	000-255	LINE_RGB BLUE 8 0%→100%
113	000-255	LINE_RGB RED 9 0%→100%

114	000-255	LINE_RGB GREEN 9 0%→100%
115	000-255	LINE_RGB BLUE 9 0%→100%
116	000-255	LINE_RGB RED 10 0%→100%
117	000-255	LINE_RGB GREEN 10 0%→100%
118	000-255	LINE_RGB BLUE 10 0%→100%
119	000-255	LINE_RGB RED 11 0%→100%
120	000-255	LINE_RGB GREEN 11 0%→100%
121	000-255	LINE_RGB BLUE 11 0%→100%
122	000-255	LINE_RGB RED 12 0%→100%
123	000-255	LINE_RGB GREEN 12 0%→100%
124	000-255	LINE_RGB BLUE 12 0%→100%
125	000-255	LINE_RGB RED 13 0%→100%
126	000-255	LINE_RGB GREEN 13 0%→100%
127	000-255	LINE_RGB BLUE 13 0%→100%
128	000-255	LINE_RGB RED 14 0%→100%
129	000-255	LINE_RGB GREEN 14 0%→100%
130	000-255	LINE_RGB BLUE 14 0%→100%
131	000-255	LINE_RGB RED 15 0%→100%
132	000-255	LINE_RGB GREEN 15 0%→100%
133	000-255	LINE_RGB BLUE 15 0%→100%
134	000-255	LINE_RGB RED 16 0%→100%
135	000-255	LINE_RGB GREEN 16 0%→100%

136	000-255	LINE_RGB BLUE 16 0%→100%
137	000-255	LINE_RGB RED 17 0%→100%
138	000-255	LINE_RGB GREEN 17 0%→100%
139	000-255	LINE_RGB BLUE 17 0%→100%
140	000-255	LINE_RGB RED 18 0%→100%
141	000-255	LINE_RGB GREEN 18 0%→100%
142	000-255	LINE_RGB BLUE 18 0%→100%
143	000-255	LINE_RGB RED 19 0%→100%
144	000-255	LINE_RGB GREEN 19 0%→100%
145	000-255	LINE_RGB BLUE 19 0%→100%
146	000-255	LINE_RGB RED 20 0%→100%
147	000-255	LINE_RGB GREEN 20 0%→100%
148	000-255	LINE_RGB BLUE 20 0%→100%
149	000-255	LINE_RGB RED 21 0%→100%
150	000-255	LINE_RGB GREEN 21 0%→100%
151	000-255	LINE_RGB BLUE 21 0%→100%
152	000-255	LINE_RGB RED 22 0%→100%
153	000-255	LINE_RGB GREEN 22 0%→100%
154	000-255	LINE_RGB BLUE 22 0%→100%
155	000-255	LINE_RGB RED 23 0%→100%
156	000-255	LINE_RGB GREEN 23 0%→100%
157	000-255	LINE_RGB BLUE 23 0%→100%

158	000-255	LINE_RGB RED 24 0%→100%
159	000-255	LINE_RGB GREEN 24 0%→100%
160	000-255	LINE_RGB BLUE 24 0%→100%

21 Channels (Mode 8):

CHANNEL	VALUE	FUNCTION
1	000-255	TILT 0°→202°
2	000-255	TILT FINE
3	000-255	ZOOM Wide→Narrow
4	000-255	DIMMER 0%→100%
5	000-007	MAIN STROBE Close
	008-015	Open
	016-131	Strobe from Slow to Fast
	132-139	Open
	140-181	Slow Open Fast Close from Slow to Fast
	182-189	Open
	190-231	Fast Open Slow Close from Slow to Fast
	232-239	Open
	240-247	Random Strobe from Slow to Fast
248-255	Open	
6	000-007	LINE_W STROBE Close
	008-015	Open
	016-131	Strobe from Slow to Fast
	132-139	Open
	140-181	Slow Open Fast Close from Slow to Fast
	182-189	Open
	190-231	Fast Open Slow Close from Slow to Fast
	232-239	Open
	240-247	Random Strobe from Slow to Fast
248-255	Open	
7	000-007	LINE_RGB STROBE Close
	008-015	Open
	016-131	Strobe from Slow to Fast
	132-139	Open
	140-181	Slow Open Fast Close from Slow to Fast

	182-189 190-231 232-239 240-247 248-255	Open Fast Open Slow Close from Slow to Fast Open Random Strobe from Slow to Fast Open
8	000-029 030-039 040-049 050-059 060-069 070-079 080-089 090-099 100-109 110-119 120-122 123 124 125 126 127 128 129 130 131 132 133 134 135 136 137 138-139 140-149 150-159 160-169 170-179 180-199 200-209 210-219 220-229 230-239 240-249 250-255	SPECIAL FUNCTION Null Dimmer Curve: Linear Dimmer Curve: Square Law Dimmer Curve: Inv SQ Law Dimmer Curve: S Curve Power Mode: Standard Null Power Mode: Quiet Led Frequency Setting Enable Led Frequency Setting Disable Null 900Hz 1000Hz 1100Hz 1200Hz 1300Hz 1400Hz 1500Hz 2500Hz 4000Hz 5000Hz 6000Hz 10KHz 15KHz 20KHz 25KHz Null Tilt Reset Effect Reset CCT Calibration: On CCT Calibration: Off Null All Reset Dimmer Speed: Fast Dimmer Speed: Smooth Line Power Mode: Off Line Power Mode: On Null
9	000-255	MAIN RED 0%→100%
10		MAIN GREEN

	000-255	0%→100%
11	000-255	MAIN BLUE 0%→100%
12	000-255	MAIN WHITE 0%→100%
13	000-255	LINE_W CW 0%→100%
14	000-255	LINE_W WW 0%→100%
15	000-255	LINE_RGB RED 0%→100%
16	000-255	LINE_RGB GREEN 0%→100%
17	000-255	LINE_RGB BLUE 0%→100%
18	000-255	MAIN RED 11&12 0%→100%
19	000-255	MAIN GREEN 11&12 0%→100%
20	000-255	MAIN BLUE 11&12 0%→100%
21	000-255	MAIN WHITE 11&12 0%→100%

07/ Error Information

Error codes are shown continuously in the display when the fixture fails and they will not disappear until the fixture is repaired.

CPU-B/C/D/E/F Error

Check whether the 485 (DATA) leads on the PCB board are installed in place or disconnected.

Check whether the related 485 (DATA) signal circuit on the PCB board is damaged.

Tilt Reset Error

Check whether the position of the tilt where the magnet is installed falls off or is damaged.

Check whether there are obstacles in the tilt operating range.

Check whether the Hall element on the tilt is damaged.

Check whether the lead connecting the Hall element on the tilt and the PCB board is in poor contact or disconnected.

Check whether the motor on the tilt is damaged.

Check whether the related circuit of the motor drive board on the tilt is damaged.

Tilt Encode Error

Check whether the encoder on the tilt is damaged.

Check whether the lead connecting the encoder on the tilt and the PCB board is in poor contact or disconnected.

Tilt Encode Not Find

Check whether the lead connecting the encoder on the tilt and the PCB board is in poor contact or disconnected.

Tilt Encode Disable

Check whether the encoder on the tilt is damaged.

Network Error

Check whether the network module is installed.

Check whether the network module is damaged.

Zoom Error

Check whether the position of the zoom where the magnet is installed falls off or is damaged.

Check whether there are obstacles in the zoom operating range.

Check whether the Hall element on the zoom is damaged.

Check whether the lead connecting the Hall element on the zoom and the PCB board is in poor contact or disconnected.

Check whether the motor on the zoom is damaged.

Check whether the related circuit of the motor drive board on the zoom is damaged.

LED Timeout Use

LED Too Hot Off

When the fixture temperature reaches 86°C, it will automatically turn off to protect the fixture.

LED Temp. 1/2/3 Error

Check whether the temperature detecting board is normal.

Check whether the components of the temperature detecting board are damaged.

Check whether the lead on the temperature detecting board is installed in place or disconnected.

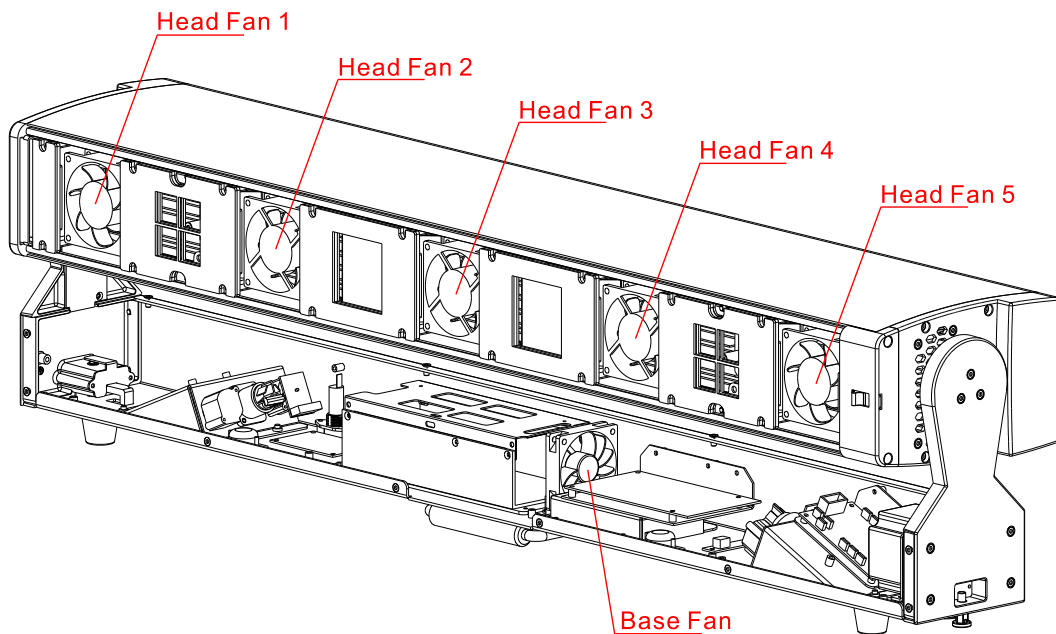
BaseFan Start Err

- Check whether the fan is not running.
- Check whether the fan leads are installed in place or disconnected.
- Check whether the fan is damaged.
- Check whether there are obstacles in the fan operating range.

HeadFan1/2/3/4/5 Start Err

- Check whether the fan is not running.
- Check whether the fan leads are installed in place or disconnected.
- Check whether the fan is damaged.
- Check whether there are obstacles in the fan operating range.

The position of each fan of the fixture:



08/ Troubleshooting

Following are a few common problems that may occur during operation. Here are some suggestions for troubleshooting:

A. The unit does not work, no light and the fan does not work

- ▶ Check the connected power and main fuse.
- ▶ Measure the voltage.
- ▶ Check the power indicator to see whether it can be lit up or not.

B. Not responding to the DMX controller

- ▶ Check whether the DMX connectors and the DMX cables are connected correctly.
- ▶ Check whether the DMX address is correctly set.
- ▶ If the intermittent DMX signal problem occurs, check whether the XLR socket and the signal cable are well connected.
- ▶ Try it with another DMX controller.
- ▶ Check whether the DMX cables run near or alongside to the high-voltage cables, which may damage or interfere with the signal circuit.

C. One of the channels is not working well

- ▶ The stepper motor might be damaged or the cable connected to the PCB might be broken.
- ▶ The motor's drive IC on the PCB might be out of condition.

09/ Fixture Cleaning

It is absolutely essential that the fixture is kept clean to ensure the maximum light-output and allow the fixture to function reliably throughout its life. The fixture must be cleaned regularly to avoid dust, dirt and smoke-fluid residues building up on or within the fixture. The cleaning frequency depends on the application environment. Clean the fixture immediately if the dust enters it to avoid damage to the optical lens due to excessive dust.

- ▶ A soft lint-free cloth moistened with any good glass cleaning fluid is recommended, under no circumstances should solvents be used.
- ▶ Always dry the parts carefully.
- ▶ Clean the external optical lens at least every 20 days.

Declaration of Conformity

We declare that our products (lighting equipments) comply with the following specification and bears CE mark in accordance with the provision of the Electromagnetic Compatibility (EMC) Directive 2014/30/EU.

EN 55032: 2015+A1: 2020; EN 55035: 2017+A11: 2020;
EN IEC 61000-3-2: 2019+A1: 2021;
EN 61000-3-3: 2013+A1: 2019+A2: 2021.

&

Harmonized Standard

EN IEC 60598-2-17: 2018;
EN IEC 60598-1: 2021+A11: 2022.
Safety of household and similar electrical appliances
Part 1: General requirements and tests

Certifications

cETLus Approved (Control #5000057)



www.acmelighting.com