

# THETA

## CM 1000ZF



### FEATURES

- Light Sources: 1 x 200W LED  
30 x 40W RGBW LED
- Total Lumen Output: 5,000 lm (200W LED)
- Color Temperature Output: 7,000K (200W LED)
- Variable CTO ranging from 2,500-8,000K (40W RGBW LED)
- 1 Static Gobo Wheel: 6 HD gobos, including 3 water effect gobos, plus open
- 1 Color Wheel: 13 colors, plus open, with bidirectional rainbow effects
- 2 Prisms: one 8-facet prism, one 16-facet prism, rotatable in both directions and overlayable
- 1 Frost filter
- Zoom function on the outer ring
- Individual pixel control, build-in color macro effect
- Automated color correction system to ensure a consistent output
- Motorized zoom and focus
- Outstanding strobe effect with variable speed
- Flicker free management

### TECHNICAL SPECIFICATIONS

#### Light Source

- Light Source: 1 x 200W LED  
30 x 40W RGBW LED
- Color Temperature Output: 7,000K (200W LED)
- Total Lumen Output: 5,000 lm (200W LED)
- Life Expectancy: 20,000 hours\*

#### Optical System

- Beam Angle: 3° (200W LED)
- Zoom Range: 4°-51° (40W RGBW LED)

#### Control and Program

- 4-Button touch panel
- Display: LCD display
- Protocols: DMX512, RDM, Art-Net, sACN
- DMX Protocol Modes: 3
- Control Channels: 27/139/19
- Firmware Upgrade: Upgrade via DMX link

#### Movement

- Pan Movement: 540°
- Tilt Movement: 215°
- Automatic Pan/Tilt position correction
- Moving-head operated with either 16-bit resolution

#### Electrical and Connectors

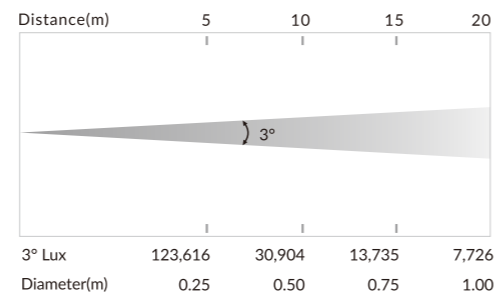
- Input Voltage Range: 100-240V~ 50/60Hz
- Power Consumption: 1,600 W
- Power In/Out: Power Connector in
- Date In/Out: 3-pin and 5-pin XLR, RJ45 connector

#### Specification

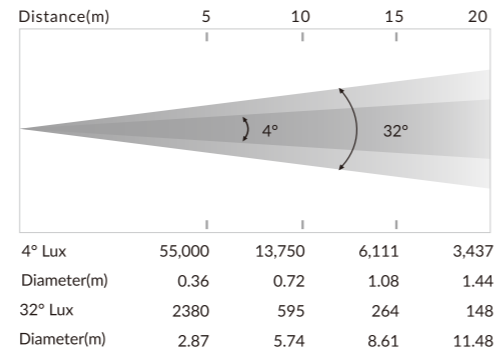
- Fixture Dimensions: 454 x 341 x 590 mm (17.9" x 13.4" x 23.2")  
Weight: 33 kg (72.8 lbs.)
- Flight Case Dimensions: 1,220 x 685 x 645 mm (48.0" x 27.0" x 25.4")  
Weight: 122.5 kg (270.1 lbs.) (two-pack loader case)
- Carton Dimensions: 560 x 470 x 675 mm (22.1" x 18.5" x 26.6")  
Weight: 40.0 kg (88.2 lbs.) (one-pack loader carton)

### PHOTOMETRICS DIAGRAM

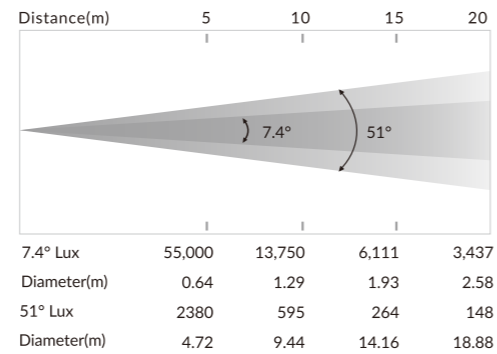
Beam Angle (1 x 200W LED):



Beam Angle (30 x 40W RGBW LED):



Field Angle (30 x 40W RGBW LED):

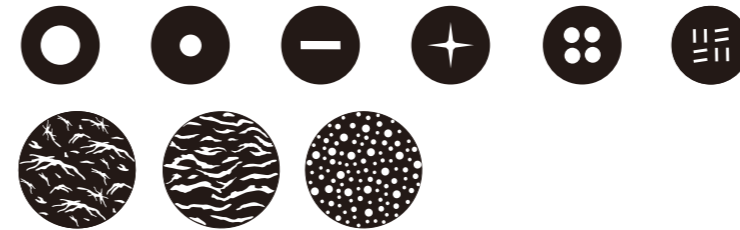


### FUNCTIONAL EFFECT

#### Color Wheel



#### Static Gobo Wheel



#### 8-Facet Prism



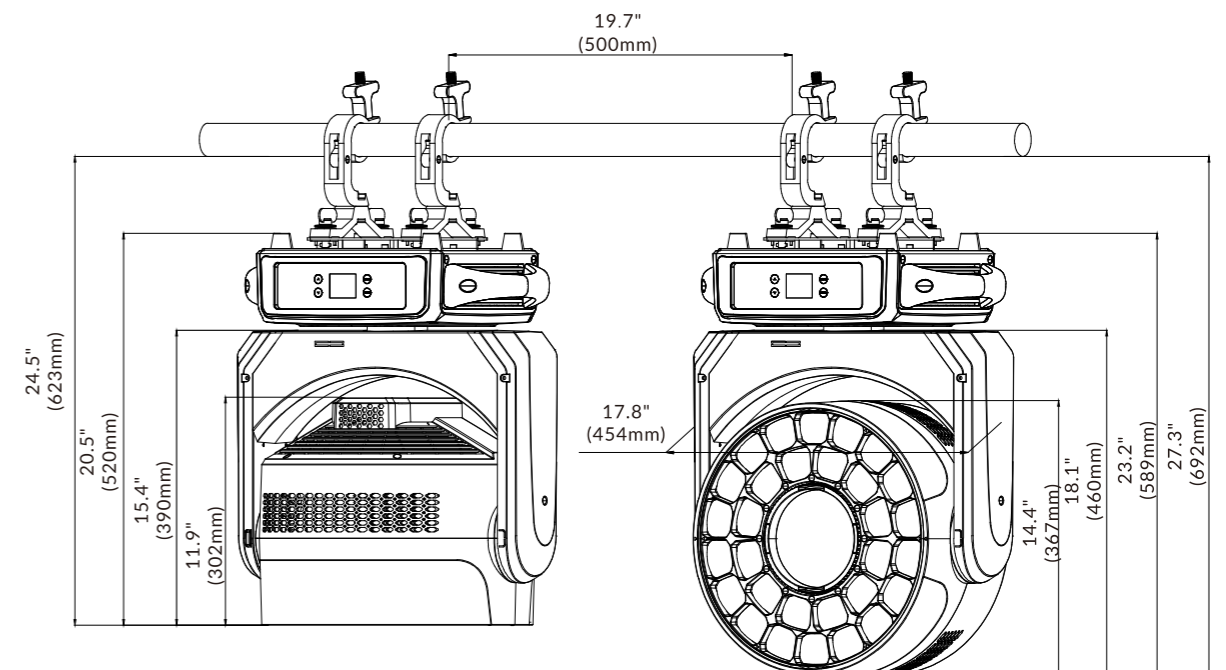
#### 16-Facet Prism



#### Frost Filter



### DIMENSIONS



(\*Light source's working life depends on the cycle ratio of its usage pattern and other environmental factors, such as dust, oil, temperature, humidity, etc.)