

EXPOLITE

USER MANUAL

Expolite TourLED BLX 300



TABLE OF CONTENT

01

SAFETY INSTRUCTIONS

1 Safety Instructions S. 03

06

WIRING CHART

6 WIRING CHART S. 09

11

TROUBLE SHOOTING

11 Trouble Shooting S. 52

02

INSTALLATION

2 Installation S. 05

07

CONTROL PANEL

7 Control Panel S. 10

12

TECHNICAL DATA

12 Technical Data S. 53

03

DMX SIGNAL CONNECTION

3 DMX Signal Connection S. 05

08

MENU NAVIGATION

8 Menu Navigation S. 11

13

EXTERNAL DIMENSIONS

13 External Dimensions S. 55

04

DMX ADDRESSING

4 DMX Addressing S. 07

09

DMX CHANNEL TABLE

9.1 DMX Channel Table S. 15
9.2 Channel priority S. 51

05

CABLE CONNECTION

5 Cable connection S. 07

10

MAINTENANCE

10 Maintenance S. 51

01 SAFETY INSTRUCTIONS

1 Safety Instructions



The products are delivered in perfect condition and fully packaged. Please follow the instructions when setting up the product.

Note: Damage caused by improper handling is not covered by the warranty. The retailer is not liable for malfunctions or problems resulting from failure to follow the operating instructions.

1. Inspect the fixture for transport damage after unpacking. If damage is found, do not put the device into operation. Contact your dealer or the manufacturer immediately.
2. This fixture is designed for indoor use. It has an IP65 protection rating. Keep the fixture dry and avoid use in wet or heavily contaminated environments.
3. Regular maintenance should be carried out every three months.
4. Do not install the fixture directly on flammable surfaces.
5. Installation, maintenance, and commissioning must only be carried out by qualified personnel. The instructions in this manual must be strictly adhered to.
6. Do not aim the fixture directly at flammable objects. The distance between the fixture and the illuminated object must be at least 3 metres.
7. Do not look directly into the light source! (Particularly important for persons with epilepsy.)
8. Do not open the fixture yourself and do not make any structural modifications to the device.
9. Electrical connections may only be made by qualified personnel.
10. Before installation, ensure that the mains voltage matches the voltage specified on the device.
11. The fixture must be properly earthed and installed in accordance with applicable regulations.

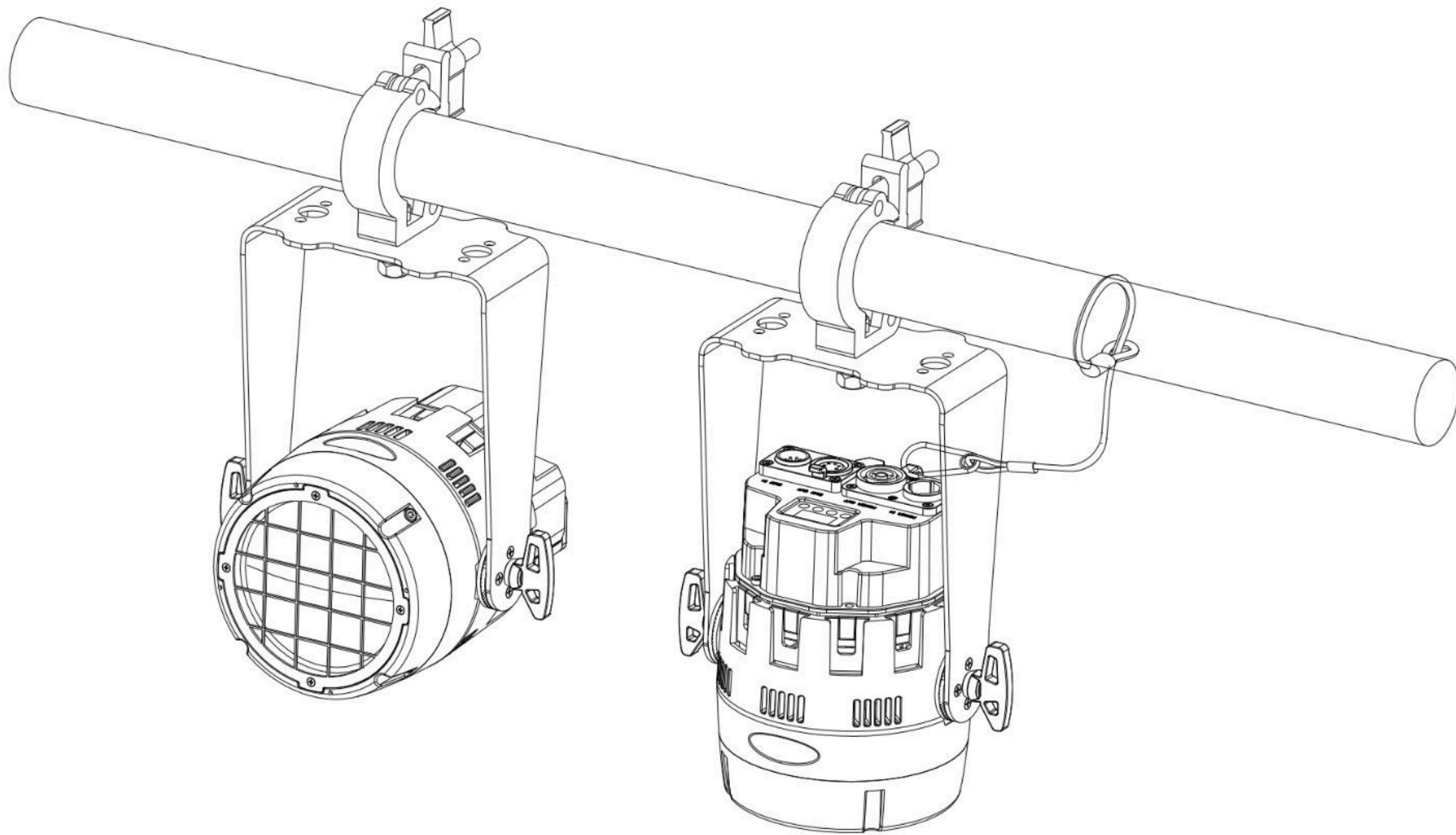
01 SAFETY INSTRUCTIONS

1 Safety Instructions

12. Do not connect any external dimmer devices to this fixture.
13. When mounting at greater heights, always use the supplied safety cable as a safeguard and attach it to the handle or a suitable fixture. For special mounting types, please observe the relevant notes in this manual.
14. If the LED lens or glass cover is damaged or broken, it must be replaced.
15. After approximately 5 minutes of operation, the external housing temperature is approx. 45 °C; internal components may reach up to 60 °C (after temperature stabilisation).
16. This fixture contains no user-serviceable parts.
17. Before commissioning, check that all covers are correctly fitted.
18. Ensure that all screws are tightly fastened.
19. Do not operate the device with a loose or missing housing cover.
20. If you have any questions or comments, please contact your dealer or manufacturer.

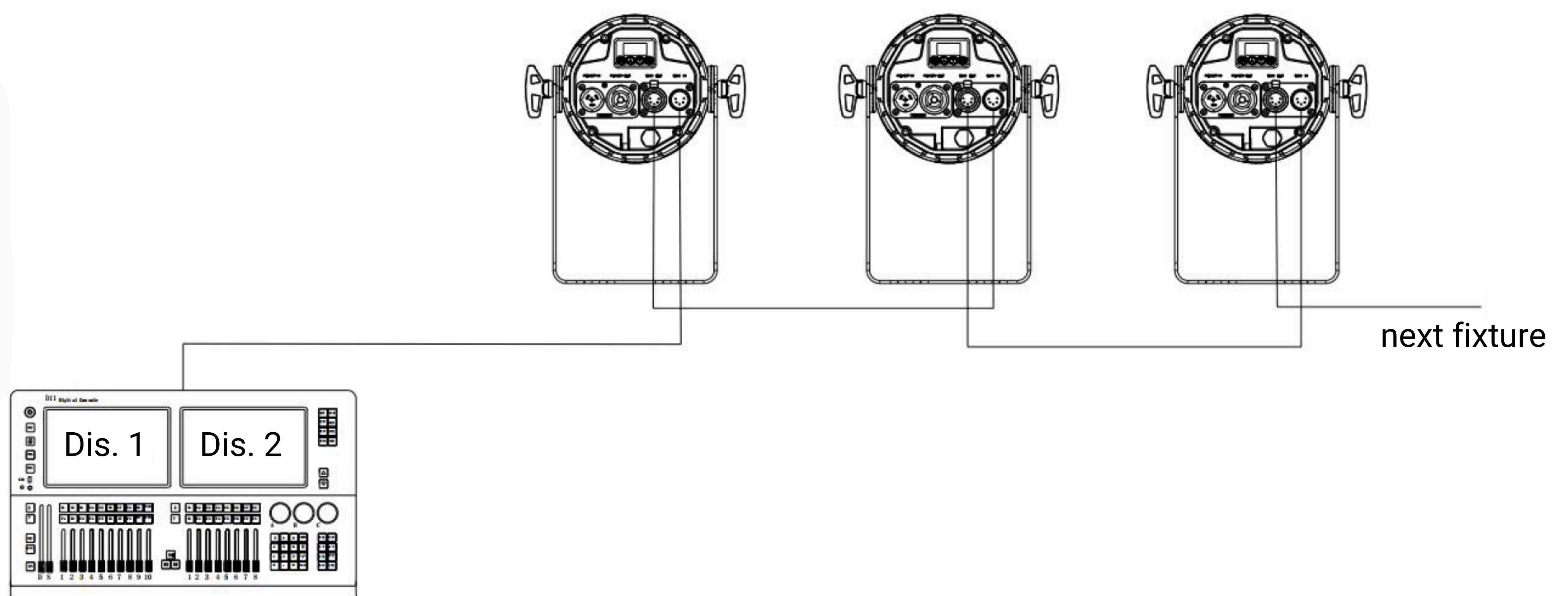
02 INSTALLATION

2 Installation



03 DMX SIGNAL CONNECTION

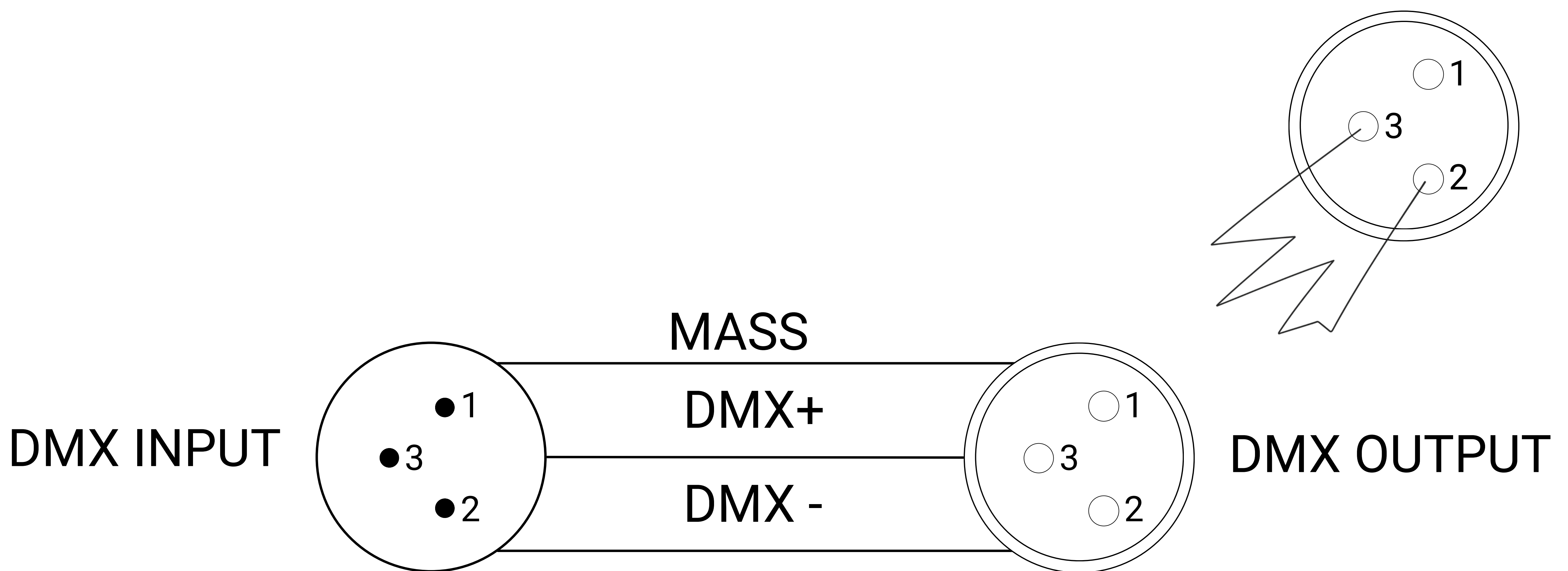
3 DMX Signal Connction



03

DMX SIGNAL CONNECTION

3 DMX Signal Connection



- To reduce signal errors and avoid signal loss and interference during transmission, a 120 ohm 1/4W resistor should be connected between pin 2 and pin 3 at the DMX output of the last device (termination resistor).
- Connect the fixture using an XLR signal cable: one end connects to the DMX output of the previous fixture, the other to the DMX input of the next fixture.
- DMX signal lines must only be connected in series, not in parallel.
- Since the transmission speed of the DMX512 signal is very high, damaged cables, cold solder joints or poor contacts can disrupt transmission and cause system failures.
- If a device is disconnected from the power supply, the DMX input and output are internally looped through to maintain the signal chain.
- Each fixture requires its own DMX address in order to receive information from the lighting console.
- The last device in the DMX chain must be fitted with a DMX terminator to avoid transmission errors.

04 DMX ADDRESSING

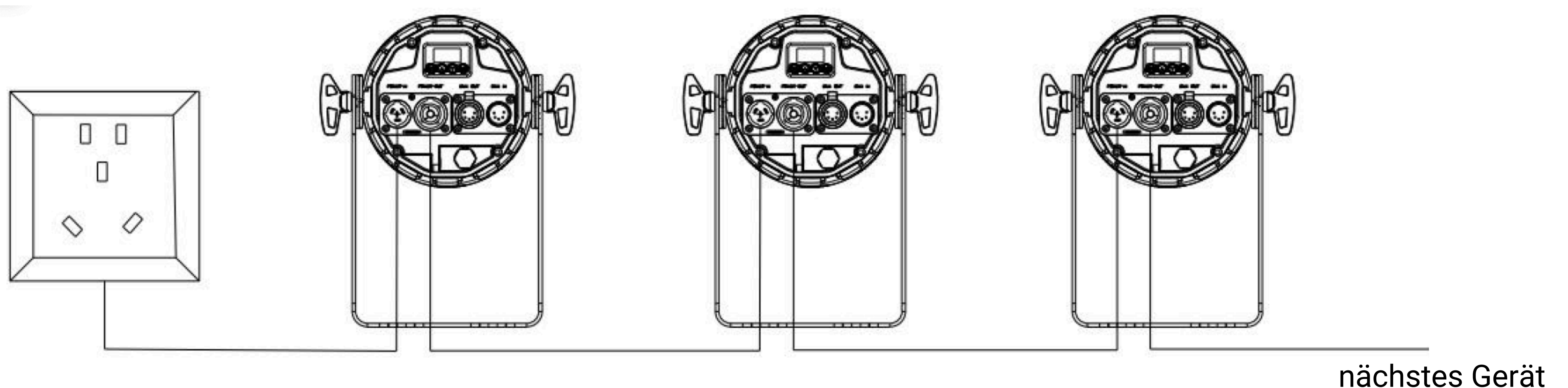
4 DMX addressing

Channel	Address	1st Address	2nd Address	3rd Address	4th Address
1CH	001-001	001	002	003	004
4CH	001-004	001	005	009	013
9CH	001-009	001	010	019	028
5CH	001-005	001	006	011	016
3CH	001-003	001	004	007	010
10CH	001-010	001	011	021	031
14CH	001-014	001	015	029	043
8CH	001-008	001	009	017	025
12CH	001-012	001	013	025	037
15CH	001-015	001	016	021	036
19CH	001-019	001	020	039	058
24CH	001-024	001	025	049	073
5CH	001-005	001	006	011	016
17CH	001-017	001	018	035	052
23CH	001-023	001	024	047	070

Note: From the fourth fixture onwards, addresses are assigned channel-dependently with a consecutive offset corresponding to the respective channel mode. (see figure above)

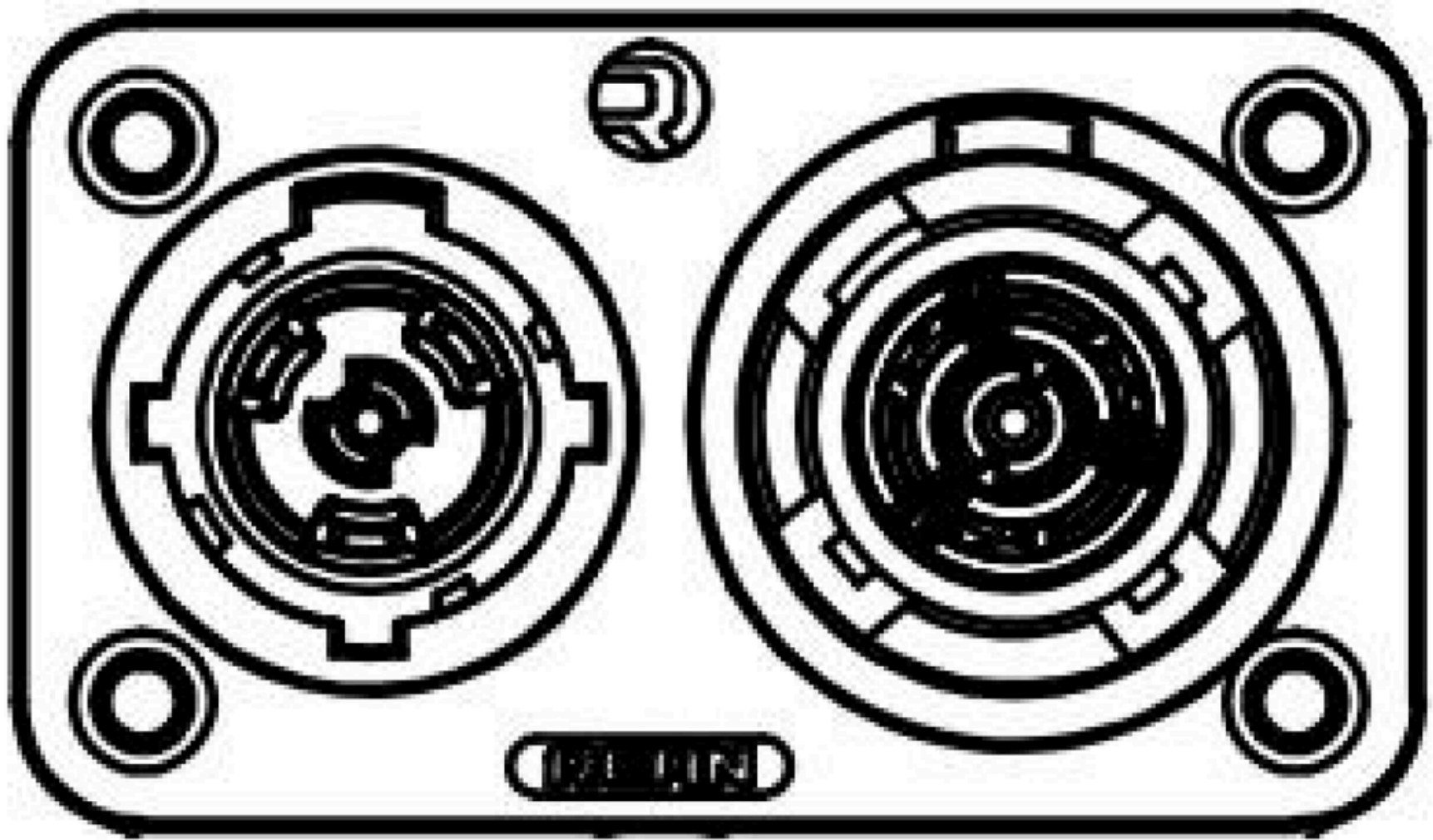
05 CABLE CONNECTION

5 Cable connection



05 CABLE CONNECTION

5 Cable connection



This device features a Power In/Out connection. Connect the power cables in a daisy-chain configuration (device to device).

Note: Use a power cable with a minimum conductor cross-section of 1.5 mm².

Depending on the voltage, the maximum number of devices that may be connected is:

- up to 7 devices at 230 V
- up to 3 devices at 110 V

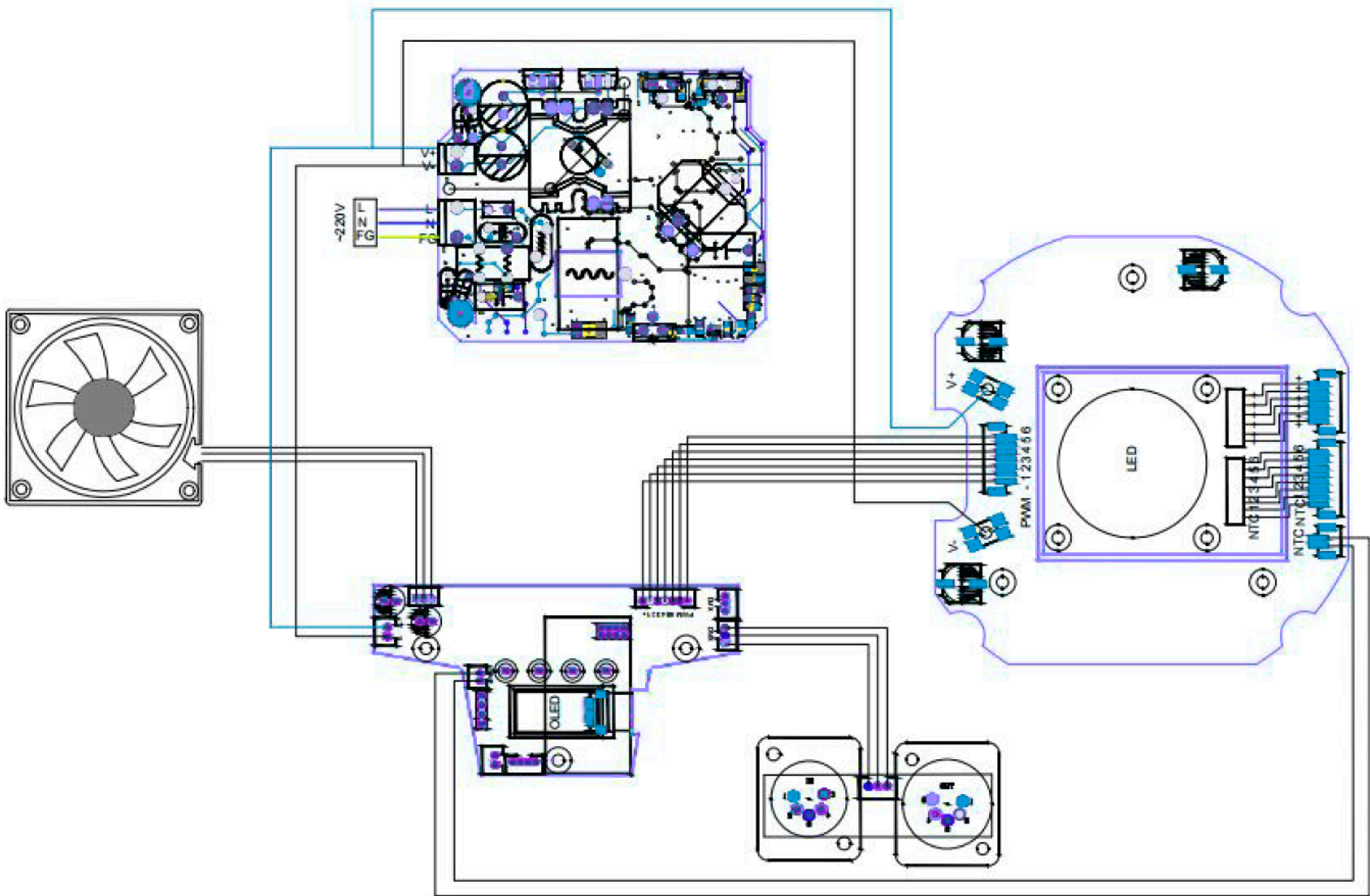


Warnings

- Do not connect too many devices to a single power cable – avoid overloading!
- Do not use damaged power cables or cables with damaged insulation.
- Do not route the power cable over other cables.
- Disconnect the power cable when the fixture is not in use or during cleaning.
- Do not pull or drag the cable – always disconnect by gripping the plug housing.

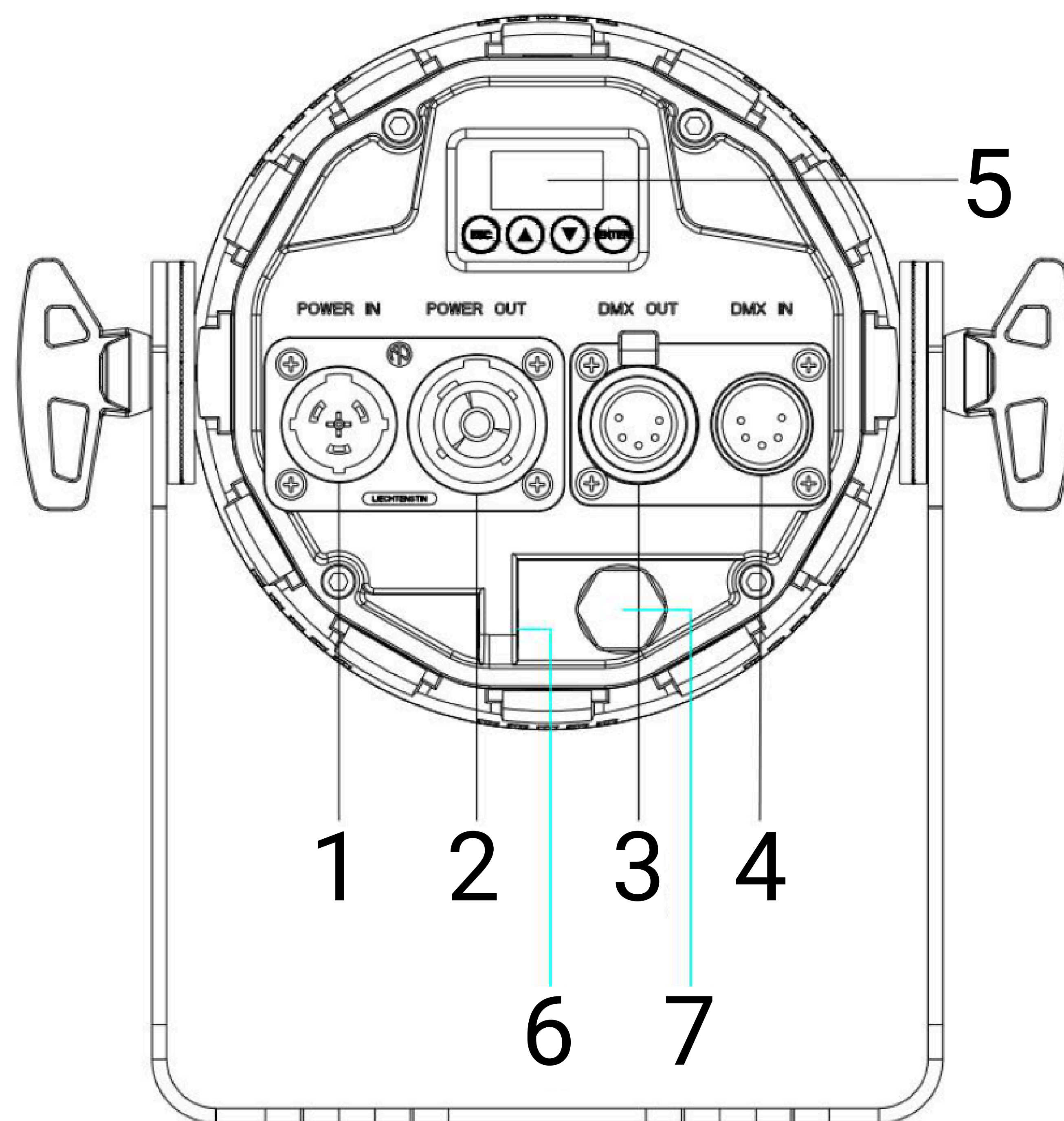
06 WIRING CHART

6 Wiring chart



07 CONTROL PANEL

7 Control Panel



- 1 Power input: IP65 waterproof Power In – mains connection, input voltage: 100–240 V, 50/60 Hz
- 2 Power output: IP65 waterproof Power Out – loop-through output, output voltage: 100–240 V, 50/60 Hz
- 3 DMX output: IP65 DMX Out – 3-pin weatherproof DMX signal output
- 4 DMX input: IP65 DMX In – 3-pin weatherproof DMX signal input
- 5 Pressure relief valve: For pressure equalisation within the housing
- 6 Safety eyelet: For attachment of the safety cable
- 7 Control panel: Display and buttons for menu navigation

Key	Description	Action in menu
ESC	Menu selection	Switches to the previous menu level
↑	Up	Select previous option / Increase value
↓	Down	Select next option / Decrease value
ENTER	Confirm	Confirm selection

08 MENU NAVIGATION

8 Menu navigation

Level 1	Level 2	Level 3
1 DMX Address	001-512	
	Cancel	
	Confirm	
2 DMX Channel pattern/ Channel mode	1 CH DWE	
	4 CH DWE	
	9CH DWE+	
	5CH STROBE	
	3CH RGB	
	10CH BASIC RGB	
	14CH BASIC RGB	
	8CH STANDARD RGB	
	12CH STANDARD RGB	
	15CH EXTENDED RGB	
	19CH EXTENDED RGB	
	5CH DIRECT	
	12CH DIRECT	
	17CH DIRECT	
23CH DIRECT		
3 Manual control Stand Alone	Stop the manual to Stop Stand Alone	
	Self-propelled mode Auto	Stop the built-in to Stop Program
		Built-in program 1 Effect1
		Built-in program 2 Effect2
		Built-in program 3 Effect3

Hinweis: Um auf das Hauptmenü zuzugreifen, geben Sie das **Passwort „8888“** ein.

08 MENU NAVIGATION

8 Menu navigation

Level 1	Level 2	Level 3	
3 Manual control Stand Alone	Self-propelled mode Auto	Built-in program 4 Effect4	
		Built-in program 5 Effect5	
		Built-in program 6 Effect6	
		Built-in program 7 Effect7	
		Built-in program 8 Effect8	
		Built-in program 9 Effect9	
		Built-in program 10 Effect10	
	Color macros Color Macro	Turn off the Color macro - Color off	
		Dimmer Dimmer	
		Color macros	
	Quick Light up Quick color	Dim Dimmer	
		Strobe Shutter	
		Red Red	
		Green Green	
		Blue Blue	
		Amber	
		White White	
	Temperature CCT	Temperature CCT	Dimmer 3 Dimmer
			Strobe Shutter
			Color temperature CCT
Red and green Tint			
Custom color User Color		Color 1 Color 1	
		Color 2 Color 2	
		Color 3 Color 3	
		Color 4 Color 4	
		Color 5 Color 5	
Color Settings Color Settings		Color Settings Color Settings	Calibration mode Calibration Mode
			Solid Color Mode RAW

08 MENU NAVIGATION

8 Menu navigation

Level 1	Level 2	Level 3	Level 4	
4 Master/Slave mode	Host mode Master			
	Slave mode Slave			
5 Light fixture Setup Settings	Display Settings Display	Display Invert Displays Flip	off on	
		Deactivate to set Backlight	off on	
		Auto Lock screen Auto lock	off on	
	Boot mode Startup Mode	DMX		
		Self-propelled Auto		
		Color Macro mode Color Macro		
		Light the Quick Color quickly		
		Color temperature Mode Tunable White		
		User Color set User color		
	Signal hold DMX Fail	Hold hold		
		Black Field Blackout		
		Full Light Emergency Light		
	Dimming curve Dimmer Curve	Linear		
		Exponential		
		Logarithmic		
		S-Curve S-curve		
	Dimming delay Dimmer Response	LED		
		Medium		
		Halogen		
	DTW Open light DTW Switch	OFF		
		on On		
	White Balance RAW Balance	White Balance RAW		
		User defined User Calibrated		
	Dimming frequency LED Frequency	800Hz		
		1200Hz		
		2000Hz		

08 MENU NAVIGATION

8 Menu navigation

Level 1	Level 2	Level 3	Level 4	
5 Light fixture Setup Settings	Dimming frequency LED Frequency	3600Hz		
		12000Hz		
		25000Hz		
	Fan mode	Auto		
		Quiet		
		Fan Off		
		Max RPM Max Power		
	Transfer Setting	Carry DMX Including ADDR		
		Carry DMX Without ADDR		
	Power Settings	Low power Illumination		
		High power Boost		
	Factory setup	Restore Factory Reset		
		Restore user-defined User Reset		
User Custom List User Reset List				
6 Language	Chinese			
	English			
7 Password	Turn OFF	Password: 8888		
	Open ON			
6 Light fixture information	Software version	Display Display board V1.0		
	Software Version	Driver Driver V3.0		
	Series Code	202407270001		
	RDM Code RDM ID	0x0991-0C3A0834		
	Temperature Info	LED1:000		
	Temperature			
	Fan Speed Fan speed	*****		
	Power on Time Power on time	Total:0000hours		
	Lights LED on Time	LED1:0000hours		
An error message Warning is displayed	None			

08

MENU NAVIGATION

8 Menu navigation

Note:

1. Only one device can be configured as host within the same signal line. Please disconnect the DMX control signal when using the host function.
2. When controlling multiple devices synchronously, parameters can be transferred from the host to the other devices. These include: DMX channel mode, display settings, and the operating mode (including custom programmes). To transfer parameters, set the desired device as host and all other devices as slave.

09

DMX CHANNEL TABLE

9.1 DMX channel table

CH	1CH DWE	4CH DWE	9CH DWE+	5CH STROBE
1	Dimmer	Dimmer	Master Dimmer	Master Dimmer
2		Dimmer Curve	Shutter	Shutter
3		Dimmer Response	Red	Duration
4		Redshift	Green	Dimmer
5			Blue	CTC
6			CTC	
7			Dimmer Curve	
8			Dimmer Response	
9			Redshift	

09 DMX CHANNEL TABLE

9.1 DMX channel table

CH	3CH RGB	10CH BASIC RGB	14CH BASIC RGB	8CH STANDARD RGB
1	Red	Master Dimmer	Master Dimmer	Master Dimmer
2	Green	Shutter	Master Dimmer Fine	Shutter
3	Blue	Red	Shutter	Dimmer
4		Green	Red	Red
5		Blue	Red Fine	Green
6		CTC	Green	Blue
7		Tint	Green Fine	CTC
8		Color Macro	Blue	Tint
9		Color Macro Cross fade	Blue Fine	Device Settings
10		Device Settings	CTC	
11			Tint	
13			Color Marco	
13			Color Macro Cross fade	
14			Device Settings	

CH	12CH STANDARD RGB	15CH EXTENDED RGB	19CH EXTENDED RGB
1	Master Dimmer	Master Dimmer	Master Dimmer
2	Master Dimmer Fine	Shutter	Master Dimmer Fine
3	Shutter	Duration	Shutter
4	Red	Red	Duration
5	Red Fine	Green	Red
6	Green	Blue	Red Fine
7	Green Fine	CTC	Green
8	Blue	Tint	Green Fine
9	Blue Fine	Color Macro	Blue
10	CTC	Color Macro Cross fade	Blue Fine
11	Tint	Effect	CTC
12	Device Settings	Dimmer Curve	Tint
13		Dimmer Response	Color Macro
14		Redshift	Color Macro Cross fade
15		Device Settings	Effect
16			Dimmer Curve
17			Dimmer Response
18			Redshift
19			Device Settings

09 DMX CHANNEL TABLE

9.1 DMX channel table

CH	5CH DIRECT	12CH DIRECT	17CH DIRECT	23CH DIRECT
1	Red	Master Dimmer	Master Dimmer	Master Dimmer
2	Green	Shutter	Shutter	Master Dimmer Fine
3	Blue	Red	Duration	Shutter
4	Amber	Green	Red	Duration
5	White	Blue	Green	Red
6		Amber	Blue	Red Fine
7		White	Amber	Green
8		CTC	White	Green Fine
9		Tint	CTC	Blue
10		Color Macro	Tint	Blue Fine
11		Color Macro Cross fade	Color Macro	Amber
12		Device Settings	Color Macro Cross fade	Amber Fine
13			Effect	White
14			Dimmer Curve	White Fine
15			Dimmer Response	CTC
16			Redshift	Tint
17			Device Settings	Color Macro
18				Color Macro Cross fade
19				Effect
20				Dimmer Curve
21				Dimmer Response
22				Redshift
23				Device Settings

1CH DWE				
CH	Function	Value	Percent/Setting	Remark
1	Dimmer	000-255	0 - 100%	

09 DMX CHANNEL TABLE

9.1 DMX channel table

4CH DWE				
CH	Function	Value	Percent/Setting	Remark
1	Dimmer	000-255	0 - 100%	
2	Dimmer Curve	000-051	No Function - Current Preset from Menu Settings	
		052-101	Linear Dimmer Curve	
		102-152	Exponential Dimmer Curve	
		153-203	Logarithmic Dimmer Curve	
		204-255	S-Curve Dimmer Curve	
3	Dimmer Response	000-063	No Function - Current Preset from Menu Settings	
		064-127	LED / fast	
		128-191	Medium	
		192-255	Halogen / slow	
4	Redshift	000-084	No Function - Current Preset from Menu Settings	
		085-170	Redshift Off	
		171-255	Redshift On	

9CH DWE+				
CH	Function	Value	Setting	Remark
1	Master Dimmer	000-255	0 - 100%	
2	Shutter	000-019	Shutter close	
		020-024	Shutter open	
		025-064	Strobe 1 (fast → slow)	
		065-069	Shutter open	
		070-084	Strobe 2: opening pulse (fast slow)	
		085-089	Shutter open	
		090-104	Strobe 3: closing pulse (fast slow)	
		105-109	Shutter open	
		110-124	Strobe 4: random strobe (fast slow)	
		125-129	Shutter open	
		130-144	Strobe 5: random opening pulse (fast slow)	
		145-149	Shutter open	
		150-164	Strobe 6: random closing pulse (fast slow)	
		165-169	Shutter open	

09 DMX CHANNEL TABLE

9.1 DMX channel table

2	Shutter	170-184	Strobe 7: burst pulse (fast slow)	
		185-189	Shutter open	
		190-204	Strobe 8: random burst pulse (fast slow)	
		205-209	Shutter open	
		210-224	Strobe 9: sine wave (fast slow)	
		225-229	Shutter open	
		230-244	Strobe 10: burst (fast slow)	
		245-255	Shutter open	
3	Red	000-255	0-100%	
4	Green	000-255	0-100%	
5	Blue	000-255	0-100%	
6	CTC (affects RGB)	000 - 004	2900K	according to CTC chart
		005-226	2000K-6500K linear in 20-21K steps (please see detailed CTC chart)	
		182-182	5600K	
		226-226	6500K	
	Dimmer Curve	227-255	6621K-10.000K linear in 120-121K steps (please see detailed CTC chart)	
7	Dimmer Curve	000-051	No Function - Current Preset from Menu Settings	
		052-101	Linear Dimmer Curve	
		102-152	Exponential Dimmer Curve	
		153-203	Logarithmic Dimmer Curve	
		204-255	S-Curve Dimmer Curve	
8	Dimmer Response	000-063	No Function - Current Preset from Menu Settings	
		064-127	LED / fast	
		128-191	Medium	
		192-255	Halogen / slow	
9	Redshift	000-084	No Function - Current Preset from Menu Settings	
		085-170	Redshift Off	
		171-255	Redshift On	

09 DMX CHANNEL TABLE

9.1 DMX channel table

5CH STROBE MODE				
CH	Function	Value	Setting	Remark
1	Master Dimmer	000-255	0-100%	
2	Shutter	000-019	Shutter close	
		020-024	Shutter open	
		025-064	Strobe 1 (fast → slow)	
		065-069	Shutter open	
		070-084	Strobe 2: opening pulse (fast slow)	
		085-089	Shutter open	
		090-104	Strobe 3: closing pulse (fast slow)	
		105-109	Shutter open	
		110-124	Strobe 4: random strobe (fast slow)	
		125-129	Shutter open	
		130-144	Strobe 5: random opening pulse (fast slow)	
		145-149	Shutter open	
		150-164	Strobe 6: random closing pulse (fast slow)	
		165-169	Shutter open	
		170-184	Strobe 7: burst pulse (fast slow)	
		185-189	Shutter open	
		190-204	Strobe 8: random burst pulse (fast slow)	
		205-209	Shutter open	
		210-224	Strobe 9: sine wave (fast slow)	
		225-229	Shutter open	
230-244	Strobe 10: burst (fast slow)			
245-255	Shutter open			
3	Duration	000-255	0 - 100% (0ms - 510ms)	only affects to channel 2 - Strobe 1 025-064
4	Dimmer	000-255	0 - 100%	
5	CTC	000-004	5600K	according to CTC chart
		005-182	2000K-6500K linear in 20-21K steps (please see detailed CTC chart)	
		182-182	5600K	
		226-226	6500K	
		227-255	6621K-10.000K linear in 120-121K steps (please see detailed CTC chart)	

09 DMX CHANNEL TABLE

9.1 DMX channel table

3CH RGB				
CH	Function	Value	Setting	Remark
1	Red 1	000-255	0-100%	
2	Green 1	000-255	0-100%	
3	Blue 1	000-255	0-100%	

10CH BASIC RGB				
CH	Function	Value	Setting	Remark
1	Master Dimmer	000-255	0-100%	
2	Shutter	000-019	Shutter close	
		020-024	Shutter open	
		025-064	Strobe 1 (fast → slow)	
		065-069	Shutter open	
		070-084	Strobe 2: opening pulse (fast slow)	
		085-089	Shutter open	
		090-104	Strobe 3: closing pulse (fast slow)	
		105-109	Shutter open	
		110-124	Strobe 4: random strobe (fast slow)	
		125-129	Shutter open	
		130-144	Strobe 5: random opening pulse (fast slow)	
		145-149	Shutter open	
		150-164	Strobe 6: random closing pulse (fast slow)	
		165-169	Shutter open	
		170-184	Strobe 7: burst pulse (fast slow)	
		185-189	Shutter open	
		190-204	Strobe 8: random burst pulse (fast slow)	
205-209	Shutter open			
210-224	Strobe 9: sine wave (fast slow)			
225-229	Shutter open			
230-244	Strobe 10: burst (fast slow)			
245-255	Shutter open			
3	Red	000-255	0-100%	
4	Green	000-255	0-100%	

09 DMX CHANNEL TABLE

9.1 DMX channel table

5	Blue	000-255	0-100%	
6	CTC (affects RGB)	000-004	5600K	according to CTC chart
		005-182	2000K-6500K linear in 20-21K steps (please see detailed CTC chart)	
		182-182	5600K	
		226-226	6500K	
		227-255	6621K-10.000K linear in 120-121K steps (please see detailed CTC chart)	
7	Tint (affects CTC and RGB)	000	no function	
		000-127	Magenta -> Neutral	
		128-128	Neutral	
		129-255	Neutral -> Green	
8	Color Macro (override RGB/CTC)	000-255	Please see Pomelo color macro chart	
9	Color Macro Cross fade (Transition Time between Color Macros)	000-005	No function	
		006-105	0,1 s-10s (0,1s steps)	
		106-214	11s - 119s (1s steps)	
		215-244	2m - 4m50s (10s steps)	
		245-255	5m - 15m (1m steps)	
10	Device Settings (please see remark * 1)	000-029	No function	
		030-034	Display Backlight On (hold 3s)	
		035-039	Display Backlight Off (hold 3s)	
		040-044	No function	
		045-049	DMX Fail Blackout (hold 3s)	
		050-054	DMX Fail Hold (hold 3s)	
		055-059	DMX Fail - Emergency Light (hold 3s)	
		060-064	No function	
		065-069	Linear Dimmer Curve (hold 1,5s)	
		070-074	Exponential Dimmer Curve (hold 1,5s) Exponential Dimmer Curve (Hold 1,5s)	
		075-079	Logarithmic Dimmer Curve (hold 1,5s) Logarithmic Dimmer Curve (Hold 1,5s)	
		080-084	S-curve Dimmer Curve (hold 1,5s) S-Curve Dimmer Curve (Hold 1,5s)	
		085-089	No function	
		090-094	LED (Fast) Dimmer Response (hold 1,5s)	

09 DMX CHANNEL TABLE

9.1 DMX channel table

10	Device Settings (please see remark * 1)	095-099	Medium Dimmer Response (hold 1,5s)	
		100-104	Halogen (Slow) Dimmer Response (hold 1,5s) Halogen (slow) Dimmer Response (hold 1,5s)	
		105-109	No function	
		110-114	Redshift On (hold 1,5s/affects only between 2700-3500K)	
		115-119	Redshift Off (hold 1,5s)	
		120-124	No function	
		125-129	Full Calibration (Colors & CCT / hold 3s)	
		130-134	CCT Calibration (RAW Colors / hold 3s)	
		135-139	No function	
		140-144	LED Frequency 800Hz (hold 3s)	
		145-149	LED Frequency 1200Hz (hold 3s)	
		150-154	LED Frequency 2000Hz (hold 3s)	
		155-159	LED Frequency 3600Hz (hold 3s)	
		160-164	LED Frequency 12KHz (hold 3s)	
		165-169	LED Frequency 25KHz (hold 3s)	
		170-174	No function	
		175-179	Fan Auto (hold 3s)	
		180-184	Fan Silent (hold 3s)	
		185-189	Fan Off (hold 3s)	
		190-194	Fan High Power (hold 3s)	
		195-199	No function	
		200-214	Invert Mapping Off (hold 3s)	
		215-219	Invert Mapping On (hold 3s)	
		220-224	No function	
		225-229	LED Mode - Illumination (hold 1,5s)	
		230-234	LED Mode - Boost (hold 1,5s)	
		235-239	No function	
		240-244	Factory Reset (hold 3s)	Reset only starts if Shutter channel is set to DMX 250

09 DMX CHANNEL TABLE

9.1 DMX channel table

10	Device Settings (please see remark * 1)	245-249	User Reset (hold 3s)	Reset only starts if Shutter channel is set to DMX 250 / no self test by DMX
		250-255	No function	

14CH BASIC RGB				
CH	Function	Value	Setting	Remark
1	Master Dimmer	000-255	0-100%	
2	Master Dimmer Fine	000-255	0-100%	
3	Shutter	000-019	Shutter close	
		020-024	Shutter open	
		025-064	Strobe 1 (fast → slow)	
		065-069	Shutter open	
		070-084	Strobe 2: opening pulse (fast slow)	
		085-089	Shutter open	
		090-104	Strobe 3: closing pulse (fast slow)	
		105-109	Shutter open	
		110-124	Strobe 4: random strobe (fast slow)	
		125-129	Shutter open	
		130-144	Strobe 5: random opening pulse (fast slow)	
		145-149	Shutter open	
		150-164	Strobe 6: random closing pulse (fast slow)	
		165-169	Shutter open	
		170-184	Strobe 7: burst pulse (fast slow)	
		185-189	Shutter open	
190-204	Strobe 8: random burst pulse (fast slow)			
205-209	Shutter open			
210-224	Strobe 9: sine wave (fast slow)			
225-229	Shutter open			
230-244	Strobe 10: burst (fast slow)			
245-255	Shutter open			
4	Red	000-255	0-100%	
5	Red Fine	000-255	0-100%	

09 DMX CHANNEL TABLE

9.1 DMX channel table

6	Green	000-255	0-100%	
7	Green Fine	000-255	0-100%	
8	Blue	000-255	0-100%	
9	Blue Fine	000-255	0-100%	
10	CTC (affects RGB)	000-004	5600K	according to CTC chart
		005-182	2000K-6500K linear in 20-21K steps (please see detailed CTC chart)	
		182-182	5600K	
		226-226	6500K	
		227-255	6621K-10.000K linear in 120-121K steps (please see detailed CTC chart)	
11	Tint (affects CTC and RGB)	000	no function	
		000-127	Magenta -> Neutral	
		128-128	Neutral	
		129-255	Neutral -> Green	
12	Color Macro (override RGB/CTC)	000-255	Please see Pomelo color macro chart	
13	Color Macro Cross fade (Transition Time between Color Macros)	000-005	No function	
		006-105	0,1 s-10s (0,1s steps)	
		106-214	11s - 119s (1s steps)	
		215-244	2m - 4m50s (10s steps)	
		245-255	5m - 15m (1m steps)	
14	Device Settings (please see remark *1)	000-029	No function	
		030-034	Display Backlight On (hold 3s)	
		035-039	Display Backlight Off (hold 3s)	
		040-044	No function	
		045-049	DMX Fail Blackout (hold 3s)	
		050-054	DMX Fail Hold (hold 3s)	
		055-059	DMX Fail - Emergency Light (hold 3s)	
		060-064	No function	
		065-069	Linear Dimmer Curve (hold 1,5s)	
		070-074	Exponential Dimmer Curve (hold 1,5s) Exponential Dimmer Curve (Hold 1,5s)	
		075-079	Logarithmic Dimmer Curve (hold 1,5s) Logarithmic Dimmer Curve (Hold 1,5s)	
		080-084	S-curve Dimmer Curve (hold 1,5s) S-Curve Dimmer Curve (Hold 1,5s)	

09 DMX CHANNEL TABLE

9.1 DMX channel table

14	Device Settings (please see remark * 1)	085-089	No function	
		090-094	LED (Fast) Dimmer Response (hold 1,5s)	
		095-099	Medium Dimmer Response (hold 1,5s)	
		100-104	Halogen (Slow) Dimmer Response (hold 1,5s) Halogen (slow) Dimmer Response (hold 1,5s)	
		105-109	No function	
		110-114	Redshift On (hold 1,5s/affects only between 2700-3500K)	
		115-119	Redshift Off (hold 1,5s)	
		120-124	No function	
		125-129	Full Calibration (Colors & CCT / hold 3s)	
		130-134	CCT Calibration (RAW Colors / hold 3s)	
		135-139	No function	
		140-144	LED Frequency 800Hz (hold 3s)	
		145-149	LED Frequency 1200Hz (hold 3s)	
		150-154	LED Frequency 2000Hz (hold 3s)	
		155-159	LED Frequency 3600Hz (hold 3s)	
		160-164	LED Frequency 12KHz (hold 3s)	
		165-169	LED Frequency 25KHz (hold 3s)	
		170-174	No function	
		175-179	Fan Auto (hold 3s)	
		180-184	Fan Silent (hold 3s)	
		185-189	Fan Off (hold 3s)	
		190-194	Fan High Power (hold 3s)	
		195-199	No function	
		200-214	Invert Mapping Off (hold 3s)	
		215-219	Invert Mapping On (hold 3s)	
		220-224	No function	
		225-229	LED Mode - Illumination (hold 1,5s)	
		230-234	LED Mode - Boost (hold 1,5s)	
		235-239	No function	
		240-244	Factory Reset (hold 3s)	Reset only starts if Shutter channel is set to DMX 250

09 DMX CHANNEL TABLE

9.1 DMX channel table

14	Device Settings (please see remark * 1)	245-249	User Reset (hold 3s)	Reset only starts if Shutter channel is set to DMX 250 / no self test by DMX
		250-255	No function	

8CH STANDARD RGB				
CH	Function	Value	Setting	Remark
1	Master Dimmer	000-255	0 - 100%	
2	Shutter	000-019	Shutter close	
		020-024	Shutter open	
		025-064	Strobe 1 (fast → slow)	
		065-069	Shutter open	
		070-084	Strobe 2: opening pulse (fast slow)	
		085-089	Shutter open	
		090-104	Strobe 3: closing pulse (fast slow)	
		105-109	Shutter open	
		110-124	Strobe 4: random strobe (fast slow)	
		125-129	Shutter open	
		130-144	Strobe 5: random opening pulse (fast slow)	
		145-149	Shutter open	
		150-164	Strobe 6: random closing pulse (fast slow)	
		165-169	Shutter open	
		170-184	Strobe 7: burst pulse (fast slow)	
		185-189	Shutter open	
		190-204	Strobe 8: random burst pulse (fast slow)	
		205-209	Shutter open	
210-224	Strobe 9: sine wave (fast slow)			
225-229	Shutter open			
230-244	Strobe 10: burst (fast slow)			
245-255	Shutter open			
3	Red	000-255	0-100%	
4	Green	000-255	0-100%	
5	Blue	000-255	0-100%	

09 DMX CHANNEL TABLE

9.1 DMX channel table

6	CTC (affects RGB)	000-004	5600K	according to CTC chart
		005-182	2000K-6500K linear in 20-21K steps (please see detailed CTC chart)	
		182-182	5600K	
		226-226	6500K	
		227-255	6621K-10.000K linear in 120-121K steps (please see detailed CTC chart)	
7	Tint (affects CTC and RGB)	000	no function	
		000-127	Magenta -> Neutral	
		128-128	Neutral	
		129-255	Neutral -> Green	
8	Device Settings (please see remark *1)	000-029	No function	
		030-034	Display Backlight On (hold 3s)	
		035-039	Display Backlight Off (hold 3s)	
		040-044	No function	
		045-049	DMX Fail Blackout (hold 3s)	
		050-054	DMX Fail Hold (hold 3s)	
		055-059	DMX Fail - Emergency Light (hold 3s)	
		060-064	No function	
		065-069	Linear Dimmer Curve (hold 1,5s)	
		070-074	Exponential Dimmer Curve (hold 1,5s) Exponential Dimmer Curve (Hold 1,5s)	
		075-079	Logarithmic Dimmer Curve (hold 1,5s) Logarithmic Dimmer Curve (Hold 1,5s)	
		080-084	S-curve Dimmer Curve (hold 1,5s) S-Curve Dimmer Curve (Hold 1,5s)	
		085-089	No function	
		090-094	LED (Fast) Dimmer Response (hold 1,5s)	
		095-099	Medium Dimmer Response (hold 1,5s)	
		100-104	Halogen (Slow) Dimmer Response (hold 1,5s) Halogen (slow) Dimmer Response (hold 1,5s)	
		105-109	No function	
110-114	Redshift On (hold 1,5s/affects only bet ween 2700-3500K)			
115-119	Redshift Off (hold 1,5s)			

09 DMX CHANNEL TABLE

9.1 DMX channel table

8	Device Settings (please see remark *1)	120-124	No function	
		125-129	Full Calibration (Colors & CCT / hold 3s)	
		130-134	CCT Calibration (RAW Colors / hold 3s)	
		135-139	No function	
		140-144	LED Frequency 800Hz (hold 3s)	
		145-149	LED Frequency 1200Hz (hold 3s)	
		150-154	LED Frequency 2000Hz (hold 3s)	
		155-159	LED Frequency 3600Hz (hold 3s)	
		160-164	LED Frequency 12KHz (hold 3s)	
		165-169	LED Frequency 25KHz (hold 3s)	
		170-174	No function	
		175-179	Fan Auto (hold 3s)	
		180-184	Fan Silent (hold 3s)	
		185-189	Fan Off (hold 3s)	
		190-194	Fan High Power (hold 3s)	
		195-199	No function	
		200-214	Invert Mapping Off (hold 3s)	
		215-219	Invert Mapping On (hold 3s)	
		220-224	No function	
		225-229	LED Mode - Illumination (hold 1,5s)	
		230-234	LED Mode - Boost (hold 1,5s)	
		235-239	No function	
		240-244	Factory Reset (hold 3s)	Reset only starts if Shutter channel is set to DMX 250
		245-249	User Reset (hold 3s)	Reset only starts if Shutter channel is set to DMX 250 / no self test by DMX
		250-255	No function	

09 DMX CHANNEL TABLE

9.1 DMX channel table

12CH STANDARD RGB				
CH	Function	Value	Setting	Remark
1	Master Dimmer	000-255	0 - 100%	
2	Master Dimmer Fine	000-255	0 - 100%	
3	Shutter	000-019	Shutter close	
		020-024	Shutter open	
		025-064	Strobe 1 (fast → slow)	
		065-069	Shutter open	
		070-084	Strobe 2: opening pulse (fast slow)	
		085-089	Shutter open	
		090-104	Strobe 3: closing pulse (fast slow)	
		105-109	Shutter open	
		110-124	Strobe 4: random strobe (fast slow)	
		125-129	Shutter open	
		130-144	Strobe 5: random opening pulse (fast slow)	
		145-149	Shutter open	
		150-164	Strobe 6: random closing pulse (fast slow)	
		165-169	Shutter open	
		170-184	Strobe 7: burst pulse (fast slow)	
		185-189	Shutter open	
		190-204	Strobe 8: random burst pulse (fast slow)	
		205-209	Shutter open	
		210-224	Strobe 9: sine wave (fast slow)	
		225-229	Shutter open	
		230-244	Strobe 10: burst (fast slow)	
245-255	Shutter open			
4	Red	000-255	0-100%	
5	Red Fine	000-255	0-100%	
6	Green	000-255	0-100%	
7	Green Fine	000-255	0-100%	
8	Blue	000-255	0-100%	
9	Blue Fine	000-255	0-100%	

09 DMX CHANNEL TABLE

9.1 DMX channel table

10	CTC (affects RGB)	000-004	5600K	according to CTC chart
		005-182	2000K-6500K linear in 20-21K steps (please see detailed CTC chart)	
		182-182	5600K	
		226-226	6500K	
		227-255	6621K-10.000K linear in 120-121K steps (please see detailed CTC chart)	
11	Tint (affects CTC and RGB)	000	no function	
		000-127	Magenta -> Neutral	
		128-128	Neutral	
		129-255	Neutral -> Green	
12	Device Settings (please see remark *1)	000-029	No function	
		030-034	Display Backlight On (hold 3s)	
		035-039	Display Backlight Off (hold 3s)	
		040-044	No function	
		045-049	DMX Fail Blackout (hold 3s)	
		050-054	DMX Fail Hold (hold 3s)	
		055-059	DMX Fail - Emergency Light (hold 3s)	
		060-064	No function	
		065-069	Linear Dimmer Curve (hold 1,5s)	
		070-074	Exponential Dimmer Curve (hold 1,5s)	
		075-079	Logarithmic Dimmer Curve (hold 1,5s) Logarithmic Dimmer Curve (Hold 1,5s)	
		080-084	S-curve Dimmer Curve (hold 1,5s) S-Curve Dimmer Curve (Hold 1,5s)	
		085-089	No function	
		090-094	LED (Fast) Dimmer Response (hold 1,5s)	
		095-099	Medium Dimmer Response (hold 1,5s)	
		100-104	Halogen (Slow) Dimmer Response (hold 1,5s) Halogen (slow) Dimmer Response (hold 1,5s)	
		105-109	No function	
110-114	Redshift On (hold 1,5s/affects only bet ween 2700-3500K)			
115-119	Redshift Off (hold 1,5s)			
120-124	No function			

09 DMX CHANNEL TABLE

9.1 DMX channel table

12	Device Settings (please see remark *1)	125-129	Full Calibration (Colors & CCT / hold 3s)	
		130-134	CCT Calibration (RAW Colors / hold 3s)	
		135-139	No function	
		140-144	LED Frequency 800Hz (hold 3s)	
		145-149	LED Frequency 1200Hz (hold 3s)	
		150-154	LED Frequency 2000Hz (hold 3s)	
		155-159	LED Frequency 3600Hz (hold 3s)	
		160-164	LED Frequency 12KHz (hold 3s)	
		165-169	LED Frequency 25KHz (hold 3s)	
		170-174	No function	
		175-179	Fan Auto (hold 3s)	
		180-184	Fan Silent (hold 3s)	
		185-189	Fan Off (hold 3s)	
		190-194	Fan High Power (hold 3s)	
		195-199	No function	
		200-214	Invert Mapping Off (hold 3s)	
		215-219	Invert Mapping On (hold 3s)	
		220-224	No function	
		225-229	LED Mode - Illumination (hold 1,5s)	
		230-234	LED Mode - Boost (hold 1,5s)	
		235-239	No function	
		240-244	Factory Reset (hold 3s)	Reset only starts if Shutter channel is set to DMX 250
		245-249	User Reset (hold 3s)	Reset only starts if Shutter channel is set to DMX 250 / no self test by DMX
		250-255	No function	

15CH STANDARD RGB				
CH	Function	Value	Setting	Remark
1	Master Dimmer	000-255	0 - 100%	
2	Shutter	000-019	Shutter close	
		020-024	Shutter open	
		025-064	Strobe 1 (fast → slow)	
		065-069	Shutter open	

09 DMX CHANNEL TABLE

9.1 DMX channel table

2	Shutter	070-084	Strobe 2: opening pulse (fast slow)	
		085-089	Shutter open	
		090-104	Strobe 3: closing pulse (fast slow)	
		105-109	Shutter open	
		110-124	Strobe 4: random strobe (fast slow)	
		125-129	Shutter open	
		130-144	Strobe 5: random opening pulse (fast slow)	
		145-149	Shutter open	
		150-164	Strobe 6: random closing pulse (fast slow)	
		165-169	Shutter open	
		170-184	Strobe 7: burst pulse (fast slow)	
		185-189	Shutter open	
		190-204	Strobe 8: random burst pulse (fast slow)	
		205-209	Shutter open	
		210-224	Strobe 9: sine wave (fast slow)	
		225-229	Shutter open	
		230-244	Strobe 10: burst (fast slow)	
245-255	Shutter open			
3	Duration	000-255	0 - 100% (0ms - 510ms)	only affects to channel 2 - Strobe 1 025-064
4	Red	000-255	0 - 100%	
5	Green	000-255	0 - 100%	
6	Blue	000-255	0 - 100%	
7	CTC (affects RGB)	000-004	5600K	according to CTC chart
		005-182	2000K-6500K linear in 20-21K steps (please see detailed CTC chart)	
		182-182	5600K	
		226-226	6500K	
		227-255	6621K-10.000K linear in 120-121K steps (please see detailed CTC chart)	
8	Tint (affects CTC and RGB)	000	no function	
		000-127	Magenta -> Neutral	
		128-128	Neutral	
		129-255	Neutral -> Green	

09 DMX CHANNEL TABLE

9.1 DMX channel table

9	Color Macro(override RGB / CTC)	000-255	Please see color macro chart	
10	Color Macro Cross fade (Transition Time between Color Macros)	000-005	No function	
		006-105	0,1 s-10s (0,1s steps)	
		106-214	11s - 119s (1s steps)	
		215-244	2m - 4m50s (10s steps)	
		245-255	5m - 15m (1m steps)	
11	Effect override RGB /Color Macro	000-015	No Function	
		016-039	Effect 1 (slow to fast)	
		040-063	Effect 2 (slow to fast)	
		064-087	Effect 3 (slow to fast)	
		088-111	Effect 4 (slow to fast)	
		112-135	Effect 5 (slow to fast)	
		136-159	Effect 6 (slow to fast)	
		160-183	Effect 7 (slow to fast)	
		184-207	Effect 8 (slow to fast)	
		208-231	Effect 9 (slow to fast)	
232-255	Effect 10 (slow to fast)			
12	Dimmer Curve	000-051	No Function - Current Preset from Menu Settings	
		052-101	Linear Dimmer Curve	
		102-152	Exponential Dimmer Curve	
		153-203	Logarithmic Dimmer Curve	
		204-255	S-Curve Dimmer Curve	
13	Dimmer Response	000-063	No Function - Current Preset from Menu Settings	
		064-127	LED / fast	
		128-191	Medium	
		192-255	Halogen / slow	
14	Redshift	000-084	No Function - Current Preset from Menu Settings	Redshift affects only between CCT 2700-3500K.
		085-170	Redshift Off	
		171-255	Redshift On	
15	Device Settings (please see remark * 1)	000-029	No function	
		030-034	Display Backlight On (hold 3s)	
		035-039	Display Backlight Off (hold 3s)	

09 DMX CHANNEL TABLE

9.1 DMX channel table

15	Device Settings (please see remark *1)	040-044	No function	
		045-049	DMX Fail Blackout (hold 3s)	
		050-054	DMX Fail Hold (hold 3s)	
		055-059	DMX Fail - Emergency Light (hold 3s)	
		060-064	No function	
		065-069	Linear Dimmer Curve (hold 1,5s)	
		070-074	Exponential Dimmer Curve (hold 1,5s) Exponential Dimmer Curve (Hold 1,5s)	
		075-079	Logarithmic Dimmer Curve (hold 1,5s) Logarithmic Dimmer Curve (Hold 1,5s)	
		080-084	S-curve Dimmer Curve (hold 1,5s) S-Curve Dimmer Curve (Hold 1,5s)	
		085-089	No function	
		090-094	LED (Fast) Dimmer Response (hold 1,5s)	
		095-099	Medium Dimmer Response (hold 1,5s)	
		100-104	Halogen (Slow) Dimmer Response (hold 1,5s)	
		105-109	No function	
		110-114	Redshift On (hold 1,5s/affects only between 2700-3500K)	
		115-119	Redshift Off (hold 1,5s)	
		120-124	No function	
		125-129	Full Calibration (Colors & CCT / hold 3s)	
		130-134	CCT Calibration (RAW Colors / hold 3s)	
		135-139	No function	
		140-144	LED Frequency 800Hz (hold 3s)	
		145-149	LED Frequency 1200Hz (hold 3s)	
		150-154	LED Frequency 2000Hz (hold 3s)	
		155-159	LED Frequency 3600Hz (hold 3s)	
		160-164	LED Frequency 12KHz (hold 3s)	
		165-169	LED Frequency 25KHz (hold 3s)	
		170-174	No function	
		175-179	Fan Auto (hold 3s)	
180-184	Fan Silent (hold 3s)			
185-189	Fan Off (hold 3s)			
190-194	Fan High Power (hold 3s)			
195-199	No function			

09 DMX CHANNEL TABLE

9.1 DMX channel table

15	Device Settings (please see remark *1)	200-214	Invert Mapping Off (hold 3s)	
		215-219	Invert Mapping On (hold 3s)	
		220-224	No function	
		225-229	LED Mode - Illumination (hold 1,5s)	
		230-234	LED Mode - Boost (hold 1,5s)	
		235-239	No function	
		240-244	Factory Reset (hold 3s)	Reset only starts if Shutter channel is set to DMX 250
		245-249	User Reset (hold 3s)	Reset only starts if Shutter channel is set to DMX 250 / no self test by DMX
		250-255	No function	

19CH STANDARD RGB				
CH	Function	Value	Setting	Remark
1	Master Dimmer	000-255	0 - 100%	
2	Master Dimmer Fine	000-255	0 - 100%	
3	Shutter	000-019	Shutter close	
		020-024	Shutter open	
		025-064	Strobe 1 (fast → slow)	
		065-069	Shutter open	
		070-084	Strobe 2: opening pulse (fast slow)	
		085-089	Shutter open	
		090-104	Strobe 3: closing pulse (fast slow)	
		105-109	Shutter open	
		110-124	Strobe 4: random strobe (fast slow)	
		125-129	Shutter open	
		130-144	Strobe 5: random opening pulse (fast slow)	
		145-149	Shutter open	
		150-164	Strobe 6: random closing pulse (fast slow)	
		165-169	Shutter open	
		170-184	Strobe 7: burst pulse (fast slow)	
185-189	Shutter open			

09 DMX CHANNEL TABLE

9.1 DMX channel table

3	Shutter	190-204	Strobe 8: random burst pulse (fast slow)	
		205-209	Shutter open	
		210-224	Strobe 9: sine wave (fast slow)	
		225-229	Shutter open	
		230-244	Strobe 10: burst (fast slow)	
		245-255	Shutter open	
4	Duration	000-255	0 - 100% (0ms - 510ms)	only affects to channel 2 - Strobe 1 025-064
5	Red	000-255	0-100%	
6	Red Fine	000-255	0-100%	
7	Green	000-255	0-100%	
8	Green Fine	000-255	0-100%	
9	Blue	000-255	0-100%	
10	Blue Fine	000-255	0-100%	
11	CTC (affects RGB)	000-004	5600K	according to CTC chart
		005-182	2000K-6500K linear in 20-21K steps (please see detailed CTC chart)	
		182-182	5600K	
		226-226	6500K	
		227-255	6621K-10.000K linear in 120-121K steps (please see detailed CTC chart)	
12	Tint1 (affects CTC and RGB)	000	no function	
		000-127	Magenta -> Neutral	
		128-128	Neutral	
		129-255	Neutral -> Green	
13	Color Macro(override RGB / CTC)	000-255	Please see color macro chart	
14	Color Macro Cross fade (Transition Time between Color Macros)	000-005	No function	
		006-105	0,1 s-10s (0,1s steps)	
		106-214	11s - 119s (1s steps)	
		215-244	2m - 4m50s (10s steps)	
		245-255	5m - 15m (1m steps)	
15	Effect override RGB Color Macro	000-015	No Function	
		016-039	Effect 1 (slow to fast)	
		040-063	Effect 2 (slow to fast)	
		064-087	Effect 3 (slow to fast)	

09 DMX CHANNEL TABLE

9.1 DMX channel table

15	Effect override RGB Color Macro	088-111	Effect 4 (slow to fast)	
		112-135	Effect 5 (slow to fast)	
		136-159	Effect 6 (slow to fast)	
		160-183	Effect 7 (slow to fast)	
		184-207	Effect 8 (slow to fast)	
		208-231	Effect 9 (slow to fast)	
		232-255	Effect 10 (slow to fast)	
16	Dimmer Curve	000-051	No Function - Current Preset from Menu Settings	
		052-101	Linear Dimmer Curve	
		102-152	Exponential Dimmer Curve	
		153-203	Logarithmic Dimmer Curve	
		204-255	S-Curve Dimmer Curve	
17	Dimmer Response	000-063	No Function - Current Preset from Menu Settings	
		064-127	LED / fast	
		128-191	Medium	
		192-255	Halogen / slow	
18	Redshift	000-084	No Function - Current Preset from Menu Settings	Redshift affects only between CCT 2700-3500K.
		085-170	Redshift Off	
		171-255	Redshift On	
19	Device Settings (please see remark *1)	000-029	No function	
		030-034	Display Backlight On (hold 3s)	
		035-039	Display Backlight Off (hold 3s)	
		040-044	No function	
		045-049	DMX Fail Blackout (hold 3s)	
		050-054	DMX Fail Hold (hold 3s)	
		055-059	DMX Fail - Emergency Light (hold 3s)	
		060-064	No function	
		065-069	Linear Dimmer Curve (hold 1,5s)	
		070-074	Exponential Dimmer Curve (hold 1,5s) Exponential Dimmer Curve (Hold 1,5s)	
		075-079	Logarithmic Dimmer Curve (hold 1,5s) Logarithmic Dimmer Curve (Hold 1,5s)	
		080-084	S-curve Dimmer Curve (hold 1,5s) S-Curve Dimmer Curve (Hold 1,5s)	

09 DMX CHANNEL TABLE

9.1 DMX channel table

19	Device Settings (please see remark *1)	085-089	No function	
		090-094	LED (Fast) Dimmer Response (hold 1,5s)	
		095-099	Medium Dimmer Response (hold 1,5s)	
		100-104	Halogen (Slow) Dimmer Response (hold 1,5s) Halogen (slow) Dimmer Response (hold 1,5s)	
		105-109	No function	
		110-114	Redshift On (hold 1,5s/affects only between 2700-3500K)	
		115-119	Redshift Off (hold 1,5s)	
		120-124	No function	
		125-129	Full Calibration (Colors & CCT / hold 3s)	
		130-134	CCT Calibration (RAW Colors / hold 3s)	
		135-139	No function	
		140-144	LED Frequency 800Hz (hold 3s)	
		145-149	LED Frequency 1200Hz (hold 3s)	
		150-154	LED Frequency 2000Hz (hold 3s)	
		155-159	LED Frequency 3600Hz (hold 3s)	
		160-164	LED Frequency 12KHz (hold 3s)	
		165-169	LED Frequency 25KHz (hold 3s)	
		170-174	No function	
		175-179	Fan Auto (hold 3s)	
		180-184	Fan Silent (hold 3s)	
		185-189	Fan Off (hold 3s)	
		190-194	Fan High Power (hold 3s)	
		195-199	No function	
		200-214	Invert Mapping Off (hold 3s)	
		215-219	Invert Mapping On (hold 3s)	
		220-224	No function	
		225-229	LED Mode - Illumination (hold 1,5s)	
		230-234	LED Mode - Boost (hold 1,5s)	
		235-239	No function	
		240-244	Factory Reset (hold 3s)	Reset only starts if Shutter channel is set to DMX 250

09 DMX CHANNEL TABLE

9.1 DMX channel table

19	Device Settings (please see remark *1)	245-249	User Reset (hold 3s)	Reset only starts if Shutter channel is set to DMX 250 / no self test by DMX
		250-255	No function	

5CH DIRECT				
CH	Function	Value	Setting	Remark
1	Red	000-255	0-100%	
2	Green	000-255	0-100%	
3	Blue	000-255	0-100%	
4	Amber	000-255	0-100%	
5	White	000-255	0-100%	

12CH DIRECT				
CH	Function	Value	Setting	Remark
1	Master Dimmer	000-255	0 - 100%	
2	Shutter	000-019	Shutter close	
		020-024	Shutter open	
		025-064	Strobe 1 (fast → slow)	
		065-069	Shutter open	
		070-084	Strobe 2: opening pulse (fast slow)	
		085-089	Shutter open	
		090-104	Strobe 3: closing pulse (fast slow)	
		105-109	Shutter open	
		110-124	Strobe 4: random strobe (fast slow)	
		125-129	Shutter open	
		130-144	Strobe 5: random opening pulse (fast slow)	
		145-149	Shutter open	
		150-164	Strobe 6: random closing pulse (fast slow)	
		165-169	Shutter open	
		170-184	Strobe 7: burst pulse (fast slow)	
		185-189	Shutter open	
190-204	Strobe 8: random burst pulse (fast slow)			

09 DMX CHANNEL TABLE

9.1 DMX channel table

2	Shutter	205-209	Shutter open	
		210-224	Strobe 9: sine wave (fast slow)	
		225-229	Shutter open	
		230-244	Strobe 10: burst (fast slow)	
		245-255	Shutter open	
3	Red	000-255	0-100%	
4	Green	000-255	0-100%	
5	Blue	000-255	0-100%	
6	Amber	000-255	0-100%	
7	White	000-255	0-100%	
8	CTC (affects RGBAW)	000-004	5600K	according to CTC chart
		005-182	2000K-6500K linear in 20-21K steps (please see detailed CTC chart)	
		182-182	5600K	
		226-226	6500K	
		227-255	6621K-10.000K linear in 120-121K steps (please see detailed CTC chart)	
9	Tint (affects CTC and RGBAW)	000	no function	
		000-127	Magenta -> Neutral	
		128-128	Neutral	
		129-255	Neutral -> Green	
10	Color Macro (override RGB /CTC	000-255	Please see color macro chart	
11	Color Macro Cross fade (Transition Time between Color Macros)	000-005	No function	
		006-105	0,1 s-10s (0,1s steps)	
		106-214	11s - 119s (1s steps)	
		215-244	2m - 4m50s (10s steps)	
		245-255	5m - 15m (1m steps)	
12	Device Settings (please see remark *1)	000-029	No function	
		030-034	Display Backlight On (hold 3s)	
		035-039	Display Backlight Off (hold 3s)	
		040-044	No function	
		045-049	DMX Fail Blackout (hold 3s)	
		050-054	DMX Fail Hold (hold 3s)	
		055-059	DMX Fail - Emergency Light (hold 3s)	
		060-064	No function	

09 DMX CHANNEL TABLE

9.1 DMX channel table

12	Device Settings (please see remark *1)	065-069	Linear Dimmer Curve (hold 1,5s)	
		070-074	Exponential Dimmer Curve (hold 1,5s) Exponential Dimmer Curve (Hold 1,5s)	
		075-079	Logarithmic Dimmer Curve (hold 1,5s) Logarithmic Dimmer Curve (Hold 1,5s)	
		080-084	S-curve Dimmer Curve (hold 1,5s) S-Curve Dimmer Curve (Hold 1,5s)	
		085-089	No function	
		090-094	LED (Fast) Dimmer Response (hold 1,5s)	
		095-099	Medium Dimmer Response (hold 1,5s)	
		100-104	Halogen (Slow) Dimmer Response (hold 1,5s) Halogen (slow) Dimmer Response (hold 1,5s)	
		105-109	No function	
		110-114	Redshift On (hold 1,5s/affects only between 2700-3500K)	
		115-119	Redshift Off (hold 1,5s)	
		120-124	No function	
		125-129	Full Calibration (Colors & CCT / hold 3s)	
		130-134	CCT Calibration (RAW Colors / hold 3s)	
		135-139	No function	
		140-144	LED Frequency 800Hz (hold 3s)	
		145-149	LED Frequency 1200Hz (hold 3s)	
		150-154	LED Frequency 2000Hz (hold 3s)	
		155-159	LED Frequency 3600Hz (hold 3s)	
		160-164	LED Frequency 12KHz (hold 3s)	
		165-169	LED Frequency 25KHz (hold 3s)	
		170-174	No function	
		175-179	Fan Auto (hold 3s)	
		180-184	Fan Silent (hold 3s)	
		185-189	Fan Off (hold 3s)	
		190-194	Fan High Power (hold 3s)	
		195-199	No function	

09 DMX CHANNEL TABLE

9.1 DMX channel table

12	Device Settings (please see remark *1)	200-214	Invert Mapping Off (hold 3s)	
		215-219	Invert Mapping On (hold 3s)	
		220-224	No function	
		225-229	LED Mode - Illumination (hold 1,5s)	
		230-234	LED Mode - Boost (hold 1,5s)	
		235-239	No function	
		240-244	Factory Reset (hold 3s)	Reset only starts if Shutter channel is set to DMX 250
		245-249	User Reset (hold 3s)	Reset only starts if Shutter channel is set to DMX 250 / no self test by DMX
		250-255	No function	

17CH DIRECT				
CH	Function	Value	Setting	Remark
1	Master Dimmer	000-255	0 - 100%	
2	Shutter	000-019	Shutter close	
		020-024	Shutter open	
		025-064	Strobe 1 (fast → slow)	
		065-069	Shutter open	
		070-084	Strobe 2: opening pulse (fast slow)	
		085-089	Shutter open	
		090-104	Strobe 3: closing pulse (fast slow)	
		105-109	Shutter open	
		110-124	Strobe 4: random strobe (fast slow)	
		125-129	Shutter open	
		130-144	Strobe 5: random opening pulse (fast slow)	
		145-149	Shutter open	
		150-164	Strobe 6: random closing pulse (fast slow)	
		165-169	Shutter open	
		170-184	Strobe 7: burst pulse (fast slow)	
		185-189	Shutter open	

09 DMX CHANNEL TABLE

9.1 DMX channel table

2	Shutter	190-204	Strobe 8: random burst pulse (fast slow)	
		205-209	Shutter open	
		210-224	Strobe 9: sine wave (fast slow)	
		225-229	Shutter open	
		230-244	Strobe 10: burst (fast slow)	
		245-255	Shutter open	
3	Duration	000-255	0 - 100% (0ms - 510ms)	only affects to channel 2 - Strobe 1 025-064
4	Red	000-255	0-100%	
5	Green	000-255	0-100%	
6	Blue	000-255	0-100%	
7	Amber	000-255	0-100%	
8	White	000-255	0-100%	
9	CTC (affects RGBAW)	000-004	5600K	according to CTC chart
		005-182	2000K-6500K linear in 20-21K steps (please see detailed CTC chart)	
		182-182	5600K	
		226-226	6500K	
		227-255	6621K-10.000K linear in 120-121K steps (please see detailed CTC chart)	
10	Tint (affects CTC and RGBAW)	000	no function	
		000-127	Magenta -> Neutral	
		128-128	Neutral	
		129-255	Neutral -> Green	
11	Color Macro(override RGBAW / CTC)	000-255	Please see color macro chart	
12	Color Macro Cross Fade (Transition Time between Color Macros)	000-005	No function	
		006-105	0,1 s-10s (0,1s steps)	
		106-214	11s - 119s (1s steps)	
		215-244	2m - 4m50s (10s steps)	
		245-255	5m - 15m (1m steps)	
13	Effect override RGB / CTC, Color Macro	000-015	No Function	
		016-039	Effect 1 (slow to fast)	
		040-063	Effect 2 (slow to fast)	
		064-087	Effect 3 (slow to fast)	

09 DMX CHANNEL TABLE

9.1 DMX channel table

13	Effect override RGB / CTC, Color Macro	088-111	Effect 4 (slow to fast)	
		112-135	Effect 5 (slow to fast)	
		136-159	Effect 6 (slow to fast)	
		160-183	Effect 7 (slow to fast)	
		184-207	Effect 8 (slow to fast)	
		208-231	Effect 9 (slow to fast)	
		232-255	Effect 10 (slow to fast)	
14	Dimmer Curve	000-051	No Function - Current Preset from Menu Settings	
		052-101	Linear Dimmer Curve	
		102-152	Exponential Dimmer Curve	
		153-203	Logarithmic Dimmer Curve	
		204-255	S-Curve Dimmer Curve	
15	Dimmer Response	000-063	No Function - Current Preset from Menu Settings	
		064-127	LED / fast	
		128-191	Medium	
		192-255	Halogen / slow	
16	Redshift	000-084	No Function - Current Preset from Menu Settings	Redshift affects only between CCT 2700-3500K.
		085-170	Redshift Off	
		171-255	Redshift On	
17	Device Settings (please see remark *1)	000-029	No function	
		030-034	Display Backlight On (hold 3s)	
		035-039	Display Backlight Off (hold 3s)	
		040-044	No function	
		045-049	DMX Fail Blackout (hold 3s)	
		050-054	DMX Fail Hold (hold 3s)	
		055-059	DMX Fail - Emergency Light (hold 3s)	
		060-064	No function	
		065-069	Linear Dimmer Curve (hold 1,5s)	
		070-074	Exponential Dimmer Curve (hold 1,5s) Exponential Dimmer Curve (Hold 1,5s)	
		075-079	Logarithmic Dimmer Curve (hold 1,5s) Logarithmic Dimmer Curve (Hold 1,5s)	
		080-084	S-curve Dimmer Curve (hold 1,5s) S-Curve Dimmer Curve (Hold 1,5s)	

09 DMX CHANNEL TABLE

9.1 DMX channel table

17	Device Settings (please see remark *1)	085-089	No function	
		090-094	LED (Fast) Dimmer Response (hold 1,5s)	
		095-099	Medium Dimmer Response (hold 1,5s)	
		100-104	Halogen (Slow) Dimmer Response (hold 1,5s) Halogen (slow) Dimmer Response (hold 1,5s)	
		105-109	No function	
		110-114	Redshift On (hold 1,5s/affects only between 2700-3500K)	
		115-119	Redshift Off (hold 1,5s)	
		120-124	No function	
		125-129	Full Calibration (Colors & CCT / hold 3s)	
		130-134	CCT Calibration (RAW Colors / hold 3s)	
		135-139	No function	
		140-144	LED Frequency 800Hz (hold 3s)	
		145-149	LED Frequency 1200Hz (hold 3s)	
		150-154	LED Frequency 2000Hz (hold 3s)	
		155-159	LED Frequency 3600Hz (hold 3s)	
		160-164	LED Frequency 12KHz (hold 3s)	
		165-169	LED Frequency 25KHz (hold 3s)	
		170-174	No function	
		175-179	Fan Auto (hold 3s)	
		180-184	Fan Silent (hold 3s)	
		185-189	Fan Off (hold 3s)	
		190-194	Fan High Power (hold 3s)	
		195-199	No function	
		200-214	Invert Mapping Off (hold 3s)	
		215-219	Invert Mapping On (hold 3s)	
		220-224	No function	
		225-229	LED Mode - Illumination (hold 1,5s)	
		230-234	LED Mode - Boost (hold 1,5s)	
		235-239	No function	
		240-244	Factory Reset (hold 3s)	Reset only starts if Shutter channel is set to DMX 250

09 DMX CHANNEL TABLE

9.1 DMX channel table

17	Device Settings (please see remark *1)	245-249	User Reset (hold 3s)	Reset only starts if Shutter channel is set to DMX 250 / no self test by DMX
		250-255	No function	

23CH DIRECT				
CH	Function	Value	Setting	Remark
1	Master Dimmer	000-255	0 - 100%	
2	Master Dimmer Fine	000-255	0 - 100%	
3	Shutter	000-019	Shutter close	
		020-024	Shutter open	
		025-064	Strobe 1 (fast → slow)	
		065-069	Shutter open	
		070-084	Strobe 2: opening pulse (fast slow)	
		085-089	Shutter open	
		090-104	Strobe 3: closing pulse (fast slow)	
		105-109	Shutter open	
		110-124	Strobe 4: random strobe (fast slow)	
		125-129	Shutter open	
		130-144	Strobe 5: random opening pulse (fast slow)	
		145-149	Shutter open	
		150-164	Strobe 6: random closing pulse (fast slow)	
		165-169	Shutter open	
		170-184	Strobe 7: burst pulse (fast slow)	
		185-189	Shutter open	
		190-204	Strobe 8: random burst pulse (fast slow)	
205-209	Shutter open			
210-224	Strobe 9: sine wave (fast slow)			
225-229	Shutter open			
230-244	Strobe 10: burst (fast slow)			
245-255	Shutter open			
4	Duration	000-255	0 - 100% (0ms - 510ms)	only affects to channel 2 - Strobe 1 025-064
5	Red	000-255	0-100%	

09 DMX CHANNEL TABLE

9.1 DMX channel table

6	Red Fine	000-255	0-100%	
7	Green	000-255	0-100%	
8	Green Fine	000-255	0-100%	
9	Blue	000-255	0-100%	
10	Blue Fine	000-255	0-100%	
11	Amber	000-255	0-100%	
12	Amber Fine	000-255	0-100%	
13	White	000-255	0-100%	
14	White Fine	000-255	0-100%	
15	CTC (affects RGBAW)	000-004	5600K	according to CTC chart
		005-182	2000K-6500K linear in 20-21K steps (please see detailed CTC chart)	
		182-182	5600K	
		226-226	6500K	
		227-255	6621K-10.000K linear in 120-121K steps (please see detailed CTC chart)	
16	Tint (affects CTC and RGBAW)	000	no function	
		000-127	Magenta -> Neutral	
		128-128	Neutral	
		129-255	Neutral -> Green	
17	Color Macro (override RGBAW/ CTC)	000-255	Please see color macro chart	
18	Color Macro Cross Fade (Transition Time between Color Macros)	000-005	No function	
		006-105	0,1 s-10s (0,1s steps)	
		106-214	11s - 119s (1s steps)	
		215-244	2m - 4m50s (10s steps)	
		245-255	5m - 15m (1m steps)	
19	Effect override RGB / CTC Color Macro	000-015	No Function	
		016-039	Effect 1 (slow to fast)	
		040-063	Effect 2 (slow to fast)	
		064-087	Effect 3 (slow to fast)	
		088-111	Effect 4 (slow to fast)	
		112-135	Effect 5 (slow to fast)	
		136-159	Effect 6 (slow to fast)	

09 DMX CHANNEL TABLE

9.1 DMX channel table

19	Effect override RGB / CTC Color Macro	160-183	Effect 7 (slow to fast)	
		184-207	Effect 8 (slow to fast)	
		208-231	Effect 9 (slow to fast)	
		232-255	Effect 10 (slow to fast)	
20	Dimmer Curve	000-051	No Function - Current Preset from Menu Settings	
		052-101	Linear Dimmer Curve	
		102-152	Exponential Dimmer Curve	
		153-203	Logarithmic Dimmer Curve	
		204-255	S-Curve Dimmer Curve	
21	Dimmer Response	000-063	No Function - Current Preset from Menu Settings	
		064-127	LED / fast	
		128-191	Medium	
		192-255	Halogen / slow	
22	Redshift	000-084	No Function - Current Preset from Menu Settings	Redshift affects only between CCT 2700-3500K
		085-170	Redshift Off	
		171-255	Redshift On	
23	Device Settings (please see remark *1)	000-029	No function	
		030-034	Display Backlight On (hold 3s)	
		035-039	Display Backlight Off (hold 3s)	
		040-044	No function	
		045-049	DMX Fail Blackout (hold 3s)	
		050-054	DMX Fail Hold (hold 3s)	
		055-059	DMX Fail - Emergency Light (hold 3s)	
		060-064	No function	
		065-069	Linear Dimmer Curve (hold 1,5s)	
		070-074	Exponential Dimmer Curve (hold 1,5s)	
		075-079	Logarithmic Dimmer Curve (hold 1,5s) Logarithmic Dimmer Curve (Hold 1,5s)	
		080-084	S-curve Dimmer Curve (hold 1,5s) S-Curve Dimmer Curve (Hold 1,5s)	
		085-089	No function	
		090-094	LED (Fast) Dimmer Response (hold 1,5s)	
		095-099	Medium Dimmer Response (hold 1,5s)	

09 DMX CHANNEL TABLE

9.1 DMX channel table

23	Device Settings (please see remark *1)	100-104	Halogen (Slow) Dimmer Response (hold 1,5s) Halogen (slow) Dimmer Response (hold 1,5s)	
		105-109	No function	
		110-114	Redshift On (hold 1,5s/affects only between 2700-3500K)	
		115-119	Redshift Off (hold 1,5s)	
		120-124	No function	
		125-129	Full Calibration (Colors & CCT / hold 3s)	
		130-134	CCT Calibration (RAW Colors / hold 3s)	
		135-139	No function	
		140-144	LED Frequency 800Hz (hold 3s)	
		145-149	LED Frequency 1200Hz (hold 3s)	
		150-154	LED Frequency 2000Hz (hold 3s)	
		155-159	LED Frequency 3600Hz (hold 3s)	
		160-164	LED Frequency 12KHz (hold 3s)	
		165-169	LED Frequency 25KHz (hold 3s)	
		170-174	No function	
		175-179	Fan Auto (hold 3s)	
		180-184	Fan Silent (hold 3s)	
		185-189	Fan Off (hold 3s)	
		190-194	Fan High Power (hold 3s)	
		195-199	No function	
		200-214	Invert Mapping Off (hold 3s)	
		215-219	Invert Mapping On (hold 3s)	
		220-224	No function	
		225-229	LED Mode - Illumination (hold 1,5s)	
		230-234	LED Mode - Boost (hold 1,5s)	
		235-239	No function	
		240-244	Factory Reset (hold 3s)	Reset only starts if Shutter channel is set to DMX 250
		245-249	User Reset (hold 3s)	Reset only starts if Shutter channel is set to DMX 250 / no self test by DMX
		250-255	No function	

09

DMX CHANNEL TABLE

9.2 Channel priority

Channel priority: Dimming > Built-in programme recall > Custom programme recall > ARGBW dimming > HSV dimming > Macro functions > Colour temperature

10

MAINTENANCE

10 Maintenance

- To extend the service life of the device, regular maintenance is essential – particularly during outdoor use or when the device remains unused for an extended period.
- The front lens, housing and other components can accumulate moisture, dust and dirt during operation. Cleaning is necessary to maintain light output and prevent corrosion caused by dust or acidic residues.
- Gases and humid ambient air can cause corrosion damage to the housing.
- The frequency of cleaning depends on the duration of use and ambient conditions. It is recommended to use a soft cloth and standard glass cleaner for cleaning.
- The device should be cleaned at least every 20 days.
- Do not use organic solvents such as alcohol on the housing, as these may damage the surface.

11 TROUBLE SHOOTING

11 Trouble Shooting

Fault symptom	Possible cause	Remedy
Display does not turn on	<ol style="list-style-type: none"> 1. No mains voltage 2. Switched-mode power supply defective 3. Display board defective 	<ol style="list-style-type: none"> 1. Check mains connection 2. Check power supply output voltage 3. Replace display board
DMX signal is not received	<ol style="list-style-type: none"> 1. DMX cable defective 2. Incorrect wiring sequence 3. Receiver IC at DMX input defective 4. DMX address set incorrectly 5. Further parameters set incorrectly 6. Settings not confirmed / menu exited accidentally 	<ol style="list-style-type: none"> 1. Check or replace DMX cable 2. Check wiring 3. Check receiver IC and termination resistors 4. Correct address or load factory settings 5. Check parameters 6. Confirm menu inputs correctly
Device surface exceeds 75°C	<ol style="list-style-type: none"> 1. Thermistor on LED board defective 2. Temperature monitoring defective 	<ol style="list-style-type: none"> 1. Replace thermistor 2. Check temperature circuit
Thermal protection is not functioning	<ol style="list-style-type: none"> 1. Temperature circuit on display board defective 2. Fan running too slowly or not at all 	<ol style="list-style-type: none"> 1. Sensor-SchalCheck sensor circuit 2. Check fan 3. Replace fan
Colour output is uneven / colour spots visible	<ol style="list-style-type: none"> 1. LED solder joints faulty 2. Lens or bracket incorrectly mounted 	<ol style="list-style-type: none"> 1. Check LED solder joints 2. Check lens mounting and realign if necessary
LED does not light up or flickers slightly	LED defective or driver supplying	<ol style="list-style-type: none"> 1. Replace LED module 2. Replace defective LED 3. Check and replace driver IC / wiring
Parameters are not saved	No current Memory IC defective	Replace memory IC
Device powers on but does not respond	Over-temperature protection triggered / power supply overheated	Allow device to cool down completely, then switch on again

12

TECHNICAL DATA

12 Technical Data

- **Light source:** 1× 550W RGBA-WW LED
- **Illuminance:** @1m 12,170 lux; @3m 1,638 lux; @5m 625 lux; @7m 387 lux
- **Colour temperature:** 2000–10000 K (± 100 K); warm white 2800 K
- **Optical system:** Reflectors with composite lenses
- **Colour rendering index:** CRI ≥ 93
- **Wavelengths:** R: 630 nm / G: 529 nm / B: 461 nm / A: 589 nm / W: 583 nm
- **Rated lifetime:** 20,000 hours
- **Beam angle (50%):** 50°
- **Max. field angle (10%):** 87°
- **Pixel matrix:** Integral control
- **Strobe:** 0–25 Hz
- **Input voltage:** 100–240 V AC, 50–60 Hz
- **Constant power:** 120 W
- **Maximum power:** 300 W
- **Power factor:** 0.95 / 230 V
- **Operating temperature:** –15 to +45 °C
- **Power connection:** Waterproof Power In/Out, max. 7 units @230 V
- **Signal connection:** 3-/5-pin waterproof DMX adapters, max. 32 units
- **Dimensions:** 195 × 145 × 145 mm
- **Weight:** 2.35 kg
- **Protection rating:** IP65

12

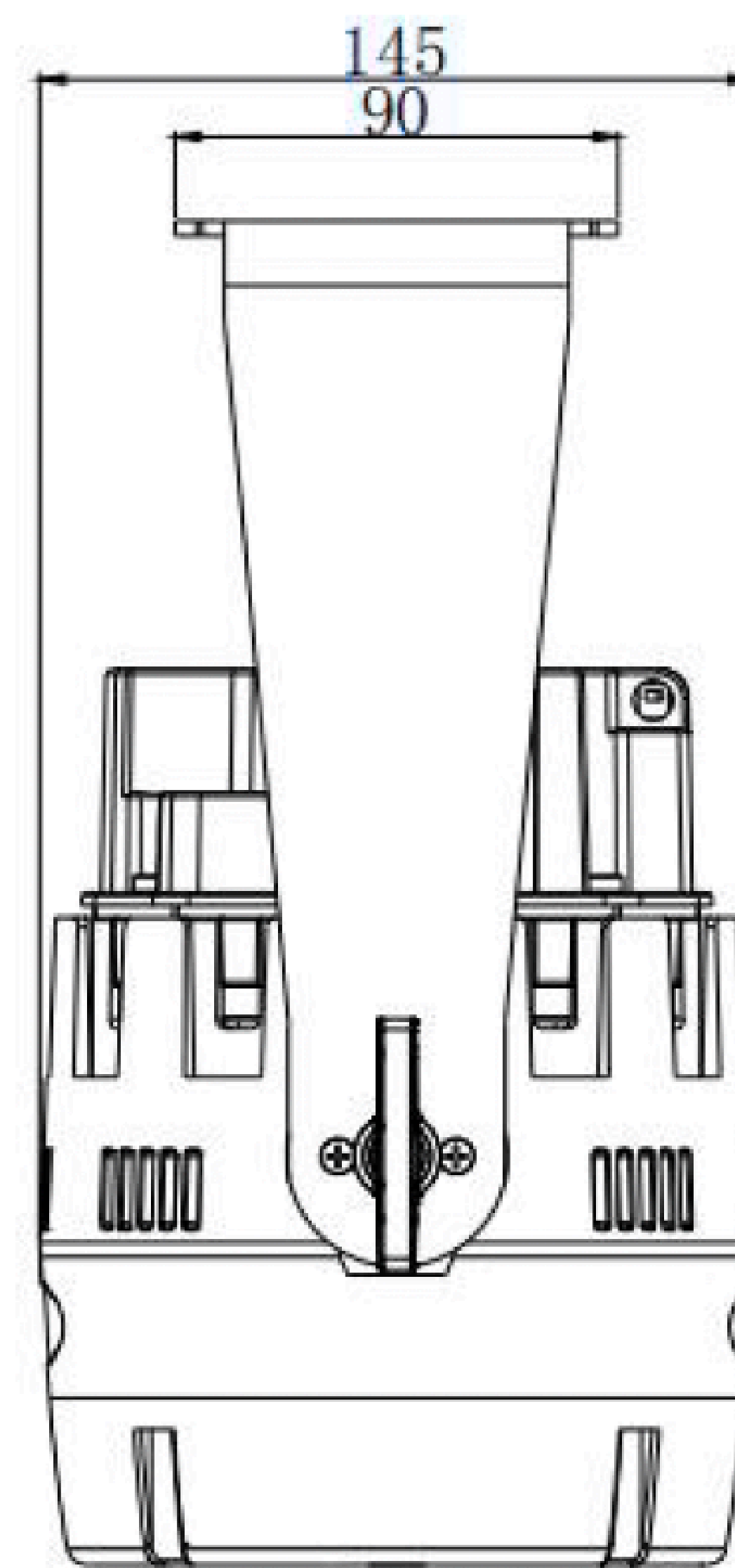
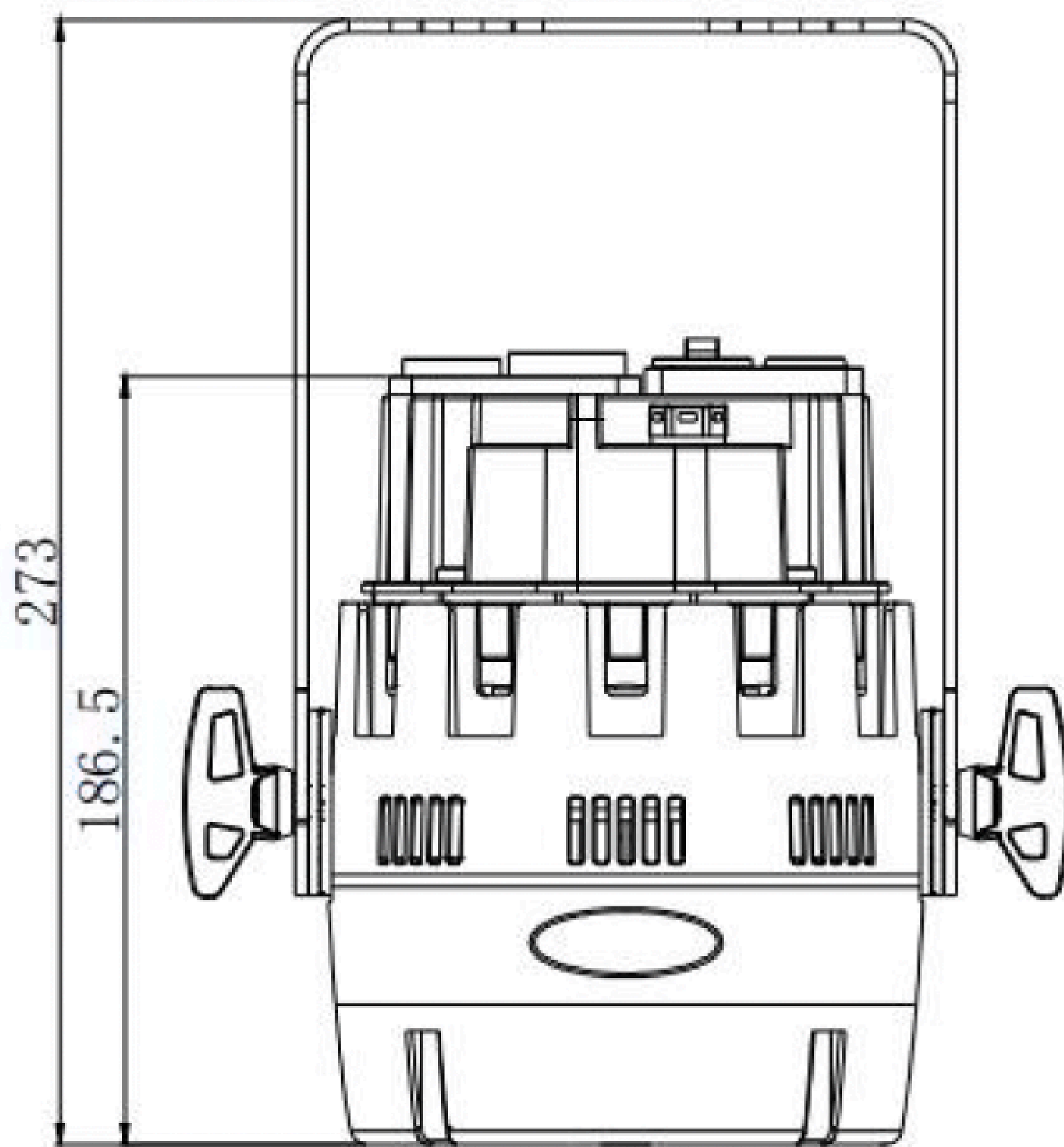
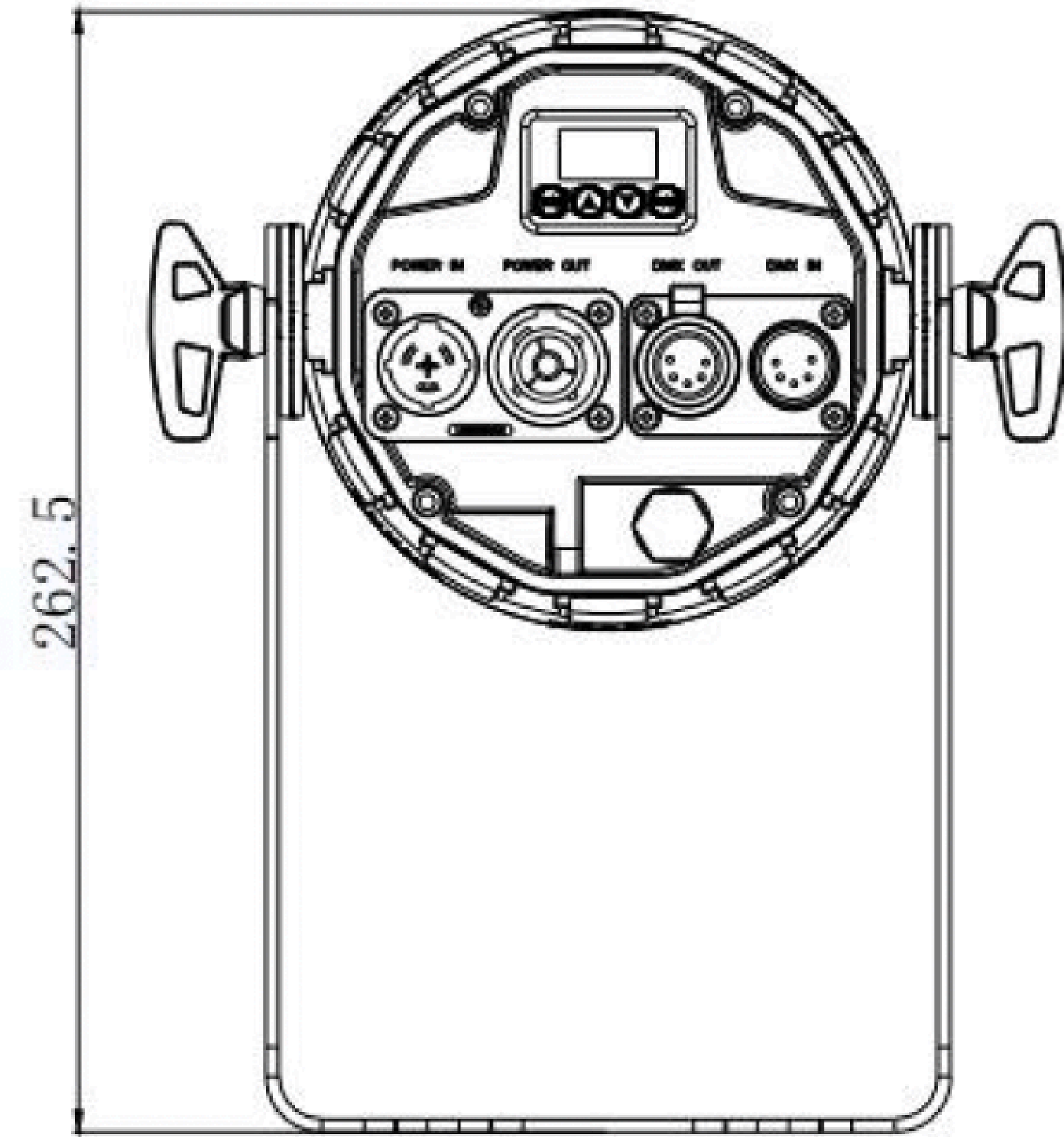
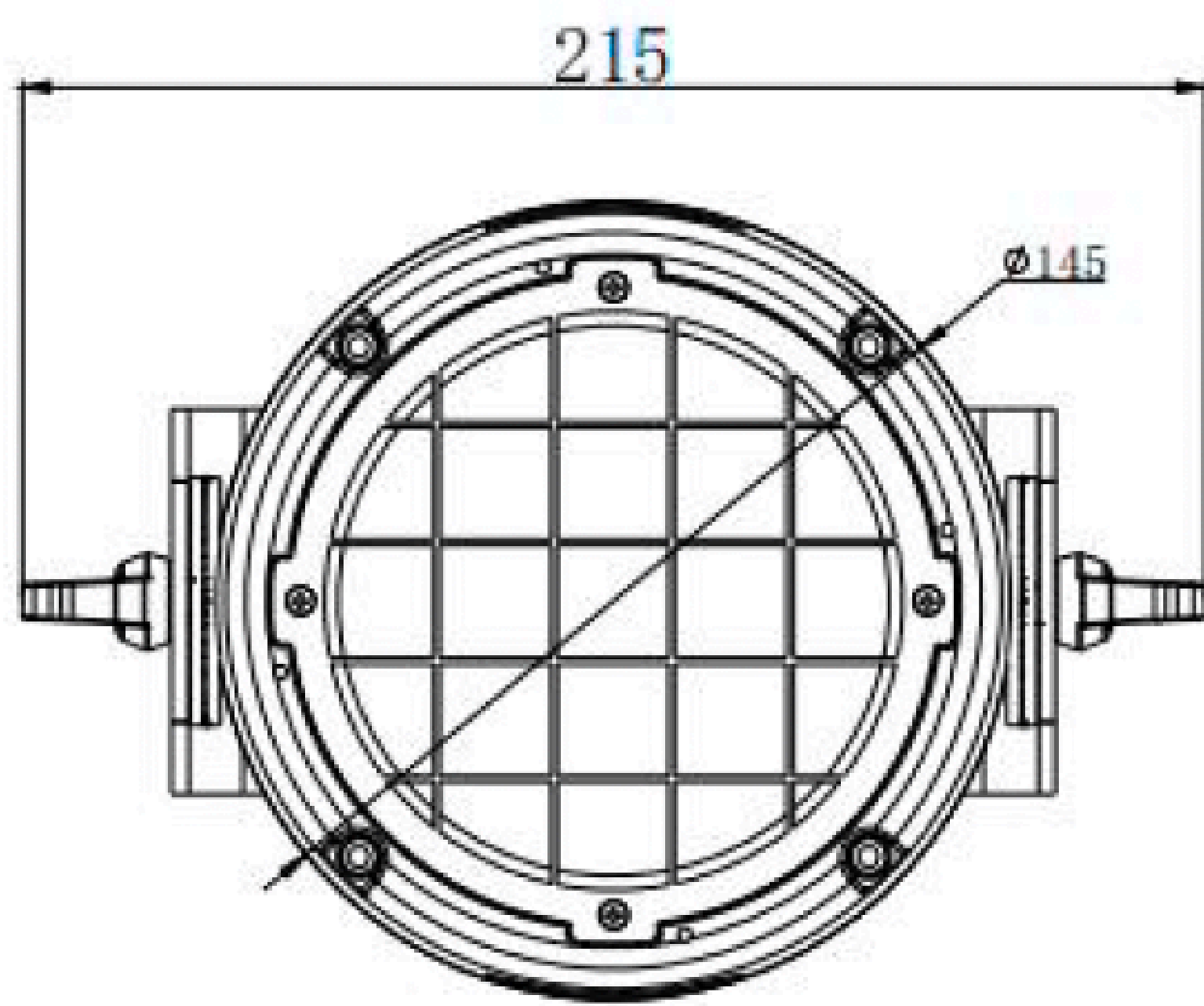
TECHNICAL DATA

12 Technical Data

- **Cooling:** Fan-assisted heat dissipation
- **Housing:** Magnesium-aluminium alloy, black
- **Mounting:** Floor mounting, vertical or horizontal suspended mounting, side mounting
- **Control protocols:** DMX512/RDM
- **DMX modes:** 1CH DWE; 4CH DWE; 9CH DWE+; 5CH Strobe; 3CH RGB; 10CH Basic RGB; 14CH Basic RGB; 8CH Standard RGB; 12CH Standard RGB; 15CH Extended RGB; 19CH Extended RGB; 5CH Direct; 12CH Direct; 17CH Direct; 23CH Direct
- **Display:** OLED with 4 buttons
- **PWM frequencies:** 800 / 1200 / 2000 / 3600 / 12000 / 25000 Hz
- **Dimming behaviour:** LED / Medium / Halogen
- **Dimming curves:** Linear / Exponential / Logarithmic / S-Curve

13 EXTERNAL DIMENSIONS

13 External dimensions





QUESTIONS OR FEEDBACK?

Scan the QR code to get in touch — we're happy to help!