

WILLOW 500

BSW 500

FEATURES

- Included three features: beam, spot, and wash
- Rainbow effect in both directions
- Motorized focus
- Beam Angle: 1°/3°/6.5°/10°
- Spot Angle:
- Static Gobo: 9°/18°(with zoom lens)
- Rotating Gobo: 10°/20°(with zoom lens)
- Wash Angle: 12°-23°
- Color Wheel: 1 color wheel with 7 colors plus white
- Static gobo Wheel: 1 static gobo wheel with 9 gobos plus open
- Rotating gobo wheel: 1 rotating gobo wheel with 7 gobos plus open, convenient replacement
- Prism: 6-facet prism, rotating in both directions
- 0-100% smooth dimming
- Independent frost effect
- Outstanding strobe effect with variable speed
- Flicker free management
- Dust-proof and oil-proof design



TECHNICAL SPECIFICATIONS

Light Source

- Light source: 1 x 400W LED engine
- LED life expectancy: 20,000 hours*

Optical System

- Diameter of front lens: 136.5mm
- Beam Angle: 1°/3°/6.5°/10°
- Spot Angle:
- Static Gobo: 9°/18°(with zoom lens)
- Rotating Gobo: 10°/20°(with zoom lens)
- Wash Angle: 12°-23°

Control and Program

- 4-buttons touch panel
- Display: LCD display
- Control channels: 17/18
- DMX Protocol modes: 2
- Protocols: DMX,RDM
- Upgrade the firmware via DMX link

Movement

- Pan/Tilt Resolution: 16 bit
- Automatic Pan/Tilt position correction
- Dimmer: 8 bit or 16 bit
- Pan movement: 540°
- Tilt movement: 240°

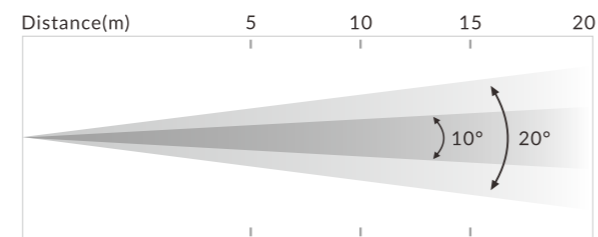
Electrical and Connectors

- Power supply with electronic auto-ranging
- Input voltage range: 100-240V~ 50/60Hz
- Power consumption: 500 W
- Power In/Out: Power Connector In/Out
- Data In/Out: 3-pin and 5-pin XLR
- Protection rating: IP20

Specification

- Fixture Specification: 531 x 234 x 350 mm (14.3" x 9.9" x 25.5")
- Weight: 17.5 kg (56.2 lbs)

PHOTOMETRICS DIAGRAM

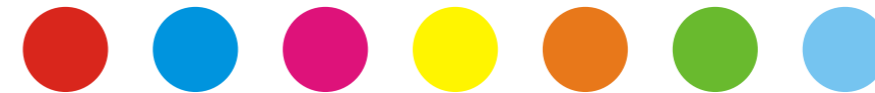


Distance(m)	5	10	15	20
10° Lux	29,500	7,375	3,278	1,844
Diameter(m)	0.1	0.2	0.3	0.4
20° Lux	9,960	2,490	1,106	623
Diameter(m)	1.8	3.5	5.3	7.1



FUNCTIONAL EFFECT

Color Wheel



Static Gobo Wheel



Rotating Gobo Wheel



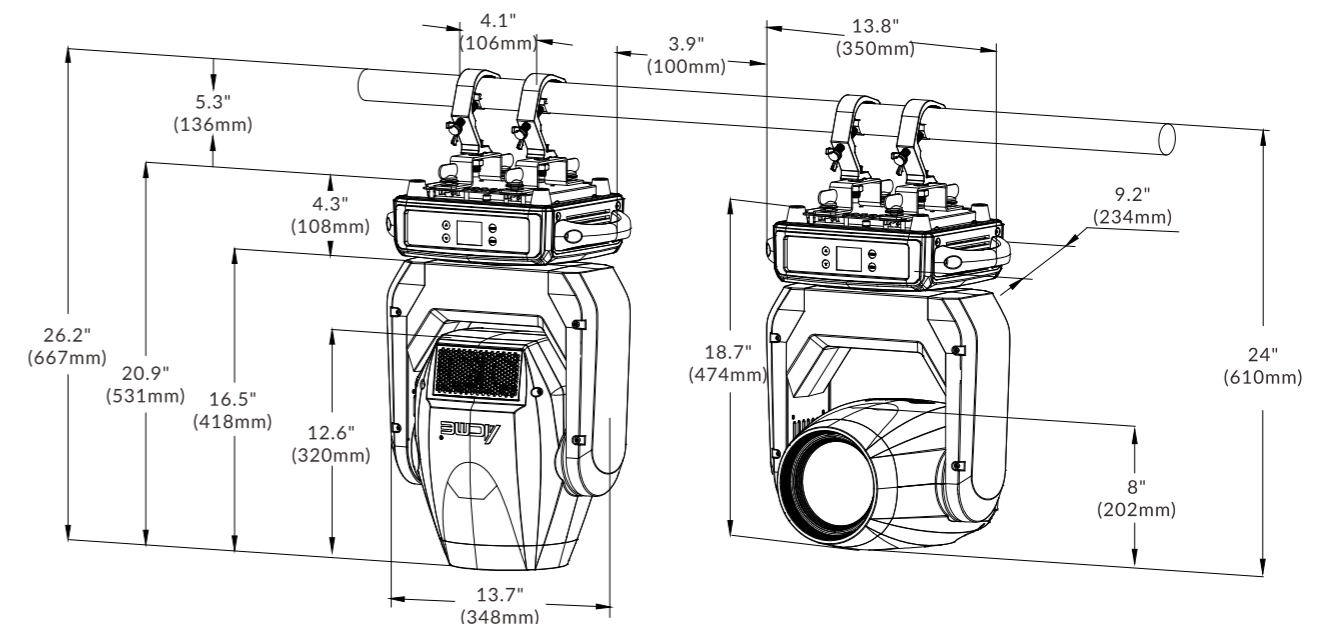
Frost Lens



6-Facet Prism



DIMENSIONS



(*Light source's working life depends on the cycle ratio of its usage pattern and other environmental factors, such as dust, oil, temperature, humidity, etc.)



PROJECT INSTALLATION

PROJECT INSTALLATION